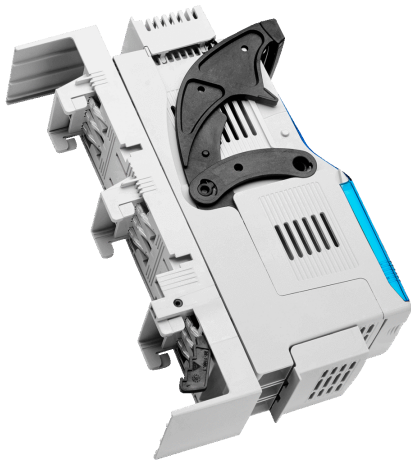
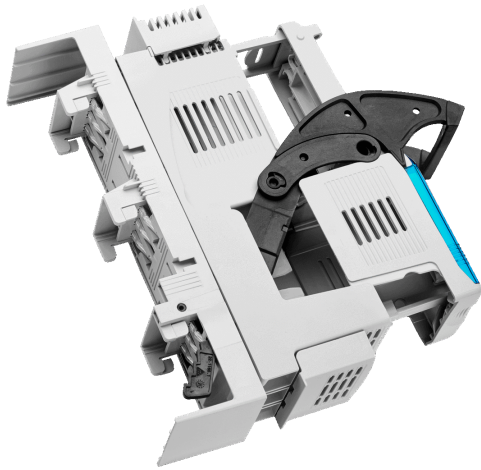
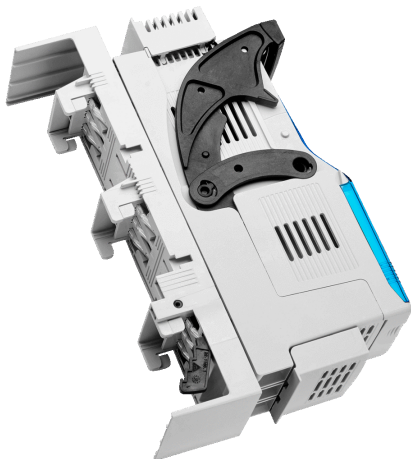


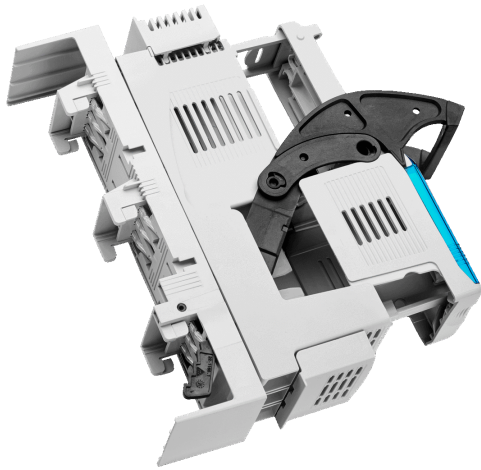
NH fuse switch-disconnector size 000, 125 A (33802)





The picture may show a similar product.





Description

Part No.: **33802000A**

QUADRON® 60Classic

NH fuse switch-disconnector size 000, 125 A

box terminal

connection top or bottom

for busbars 12, 15, 20, 25, 30 x 5, 10 and section busbars
with CrossLink®Technology

System

60Classic

Advantages of the product

only 49.5 mm wide

rotatable for connection at bottom or top

Product group 09

Subgroup 22

pack size 1

EAN 4021267338022

catalog page 2020 : 3.23

ECLASS 6.1 27142108
ECLASS 7.1 27142108
ETIM 4.0 EC001040
ETIM 5.0 EC001040

Approvals

Standards

IEC 60947-1:2020
IEC 60947-3:2020 AC ratings only

Approvals

CCC, EAC



type number: QU-NH000
EAC Type: NH

Technical data

for fuse links size:	NH 000
fuse links acc. to standard:	IEC / HD 60269-2
permitted power dissipation of the fuse-link:	9 W
requirements for contact parts:	Fuse links with silver-plated contact pieces recommended. For fuse links with nickel-plated contact pieces, a reduction factor of 0.8 is to be observed.

Details IEC

Standards

IEC 60947-1:2020
IEC 60947-3:2020 AC ratings only

Electrical data IEC

Rated current (IEC): 125 A
rated voltage (IEC) AC: 690 V

rated voltage (IEC) DC: 440 V

rated isolation voltage U_i AC: 800 V
rated isolation voltage U_i DC: 500 V
rated surge voltage U_{imp} : 6 kV

Utilisation category AC (IEC 60947-3): AC-21B (690 V / 80 A)
AC-22B (400 V / 125 A)

cond. short-circuit current with fuses (AC): 50 kA / 690 V (80 A)
50 kA / 500 V (100 A)
80 kA / 400 V (125 A)
100 kA / 400 V (100 A)

approved with fuse links of operation class: gG

power dissipation of the article:

The power dissipation at a typical load of 80 % results to 6.7 W.

(The power dissipation at full load would be 10.5 W.)

Supplementary data IEC

The following values have been verified with tests under certain conditions. Please ask Wöhner for this conditions before designing your panel.

max. permitted voltage (IEC) DC: 800 V

A fuse-combination unit acc. to IEC 60947-3 can only be operated at a higher voltage than its rated voltage, if it is used as a fuse-disconnector without breaking capacity, up to its max. rated insulation voltage and labelled as such.

In accordance with the specified AC and DC switching properties and in consideration of the overload conditions, certain distances to earthed metal parts are to be adhered to. detailed information upon inquiry

When several devices are used side-by-side in continuous operation, the rated load factor specified in IEC / EN 61439-1, Table 1, must be observed.

Mechanical data

W x H x D: 49.5 x 200 x 127

weight: 53.5 kg/100

poles: 3-pole

for busbars: 12, 15, 20, 25, 30 x 5, 10 and section busbars

front degree of protection: IP30

vertical installation position: Yes

horizontal installation position: No

type of fastening: patented click mechanism

Terminal points

cage clamp connection

screw drive:	S4
wire stripping:	15 mm
min. cross-section:	2.5 mm ²
max. cross-section:	50 mm ²
Terminal space:	10x10
Md min.:	4.0 Nm
Md max.:	5.0 Nm

Not suitable for aluminium cables !

box terminal:

1.5 - 50 mm² flexible and flexible with wire-end ferrules*

2.5 - 50 mm² flexible

2.5 - 16 mm² solid round

2.5 - 50 mm² stranded round

Terminal space 10 mm x 10 mm

(*flexible cables of maximum cross-section may not fit when using wire-end ferrule)

Accessories



33806000A

side-mounted module
attachable to both sides
3.5 mm



32620000A

CrossLink[®] 60Classic
busbar adapter base 125 A
busbar adapter base
49.5 mm x 200 mm, only for use with QU-NH000