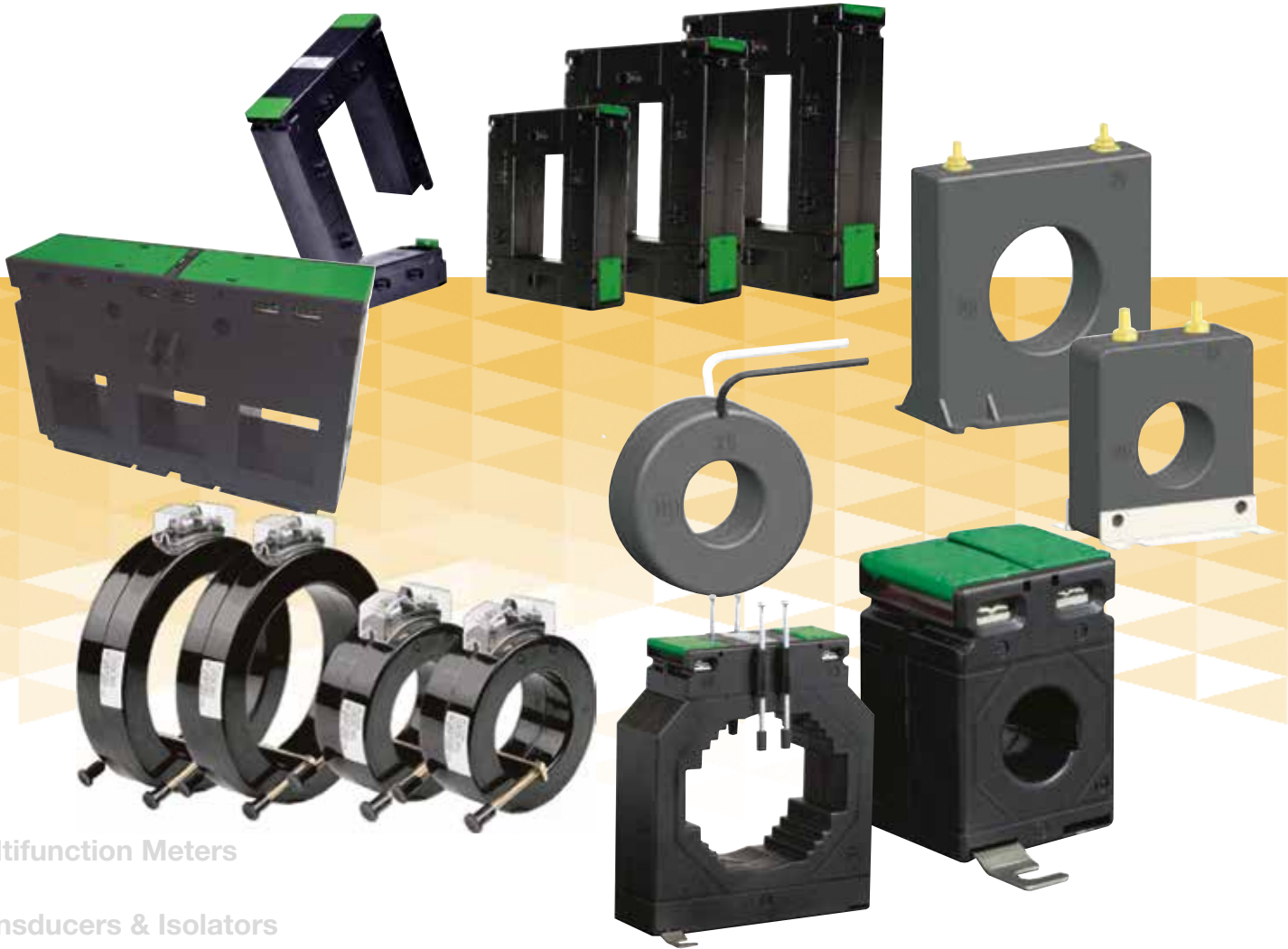




sifam tinsley
PRECISION INSTRUMENTATION



Multifunction Meters

Transducers & Isolators

Temperature Controllers

Converters & Recorders

Digital Panel Meters

Current Transformers

Analogue Panel Meters

Shunts

Digital Multimeters

Clamp Meters

Insulation Testers

CURRENT TRANSFORMERS

Powered by technology
...driven by service

Current Transformers - Contents

OMEGA 3 Phase

4-5



Three phase measuring current transformers suitable for primary ranges from 60A to 630A with 5A secondary. Allowing installations directly

next to the moulded case circuit breakers for greater speed of installation and optimisation of space.

OMEGA single and 3 Phase RJ12 Current Transformers

6-7



Omega single and 3 Phase RJ12 Current Transformers suitable for primary ranges from 50 to 600A with 100mA secondaries, with RJ12 connection

for simple and easy error free installation.

OMEGA XMER Moulded Case Range

8-25



OMEGA XMER CT's are square type and encapsulated with UL94V-0 approved polycarbonate. These metering CT's feature sealable terminal

covers and a wide range of primary current ratings. Available in various, Bus bar sizes, case widths, and mounting options.

Compact Split Core

26-28



Compact series of split core transformers current transformers offering a cost effective and efficient method by which the current can be measured without the need to

break the conductor, thereby reducing installation and commissioning time.

OMEGA Split Core

29-33

Omega 10



OMEGA 10 (Split Core CT's) Omega series split core transformers offer a cost effective and efficient method by which the current can be measured without the need to

break the conductor, thereby reducing installation and commissioning time.

XMER Moulded Case Range

34-44

XMER Class 0.25



OMEGA XMER CT's are square type and encapsulated with UL94V-0 approved polycarbonate. These metering CT's feature sealable terminal covers and a wide

range of primary current ratings for use of tariff metering. Available in various, Bus bar sizes, case widths, and mounting options.

OMEGA Ring Type

45-48

Omega 20 (TW CT's)

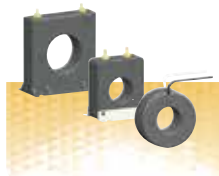


OMEGA 20 (TW CT's) Sifam Tinsley's Omega TW series round type CT's are housed in robust case with classical finish. The case is made of

polycarbonate, which is flame retardant and non-drip and conforms to international regulations UL 94 V-0.

OMEGA Ansi Type

49-58



The ANSI metering class transformers are intended for power monitoring applications where high accuracy and minimum phase angle error are required. They are

specially designed to be compliant with relevant ANSI standards.

LTRC Series - Resin Cast

59-60



LTRC Series - Resin Cast CT's are Epoxy Resin type with Insulation Class E (120°C). These LV metering CT's feature sealable terminal covers and primary

current ratings from 100A to 1200A. Available in various, Bus bar sizes, case widths, and with foot mounting facility.

View our full range online
www.sifamtinsley.co.uk

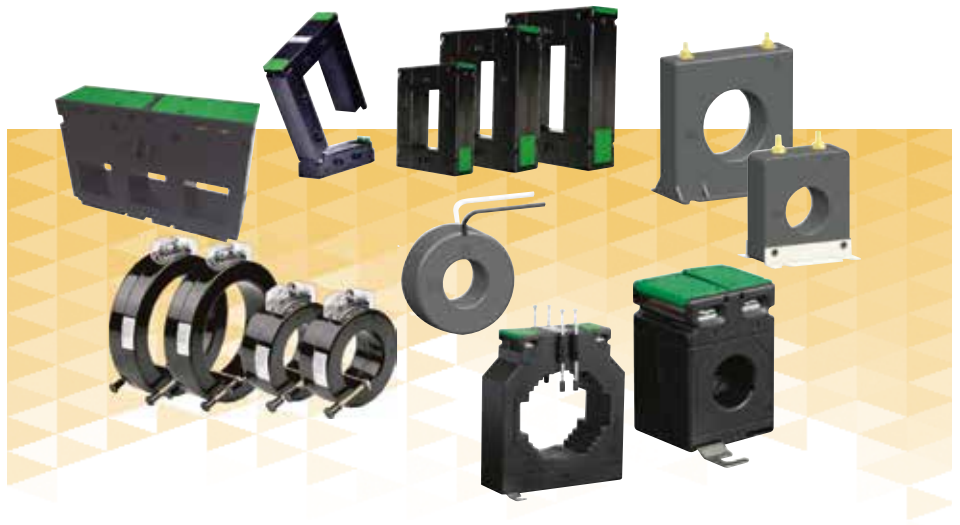
Current Transformers Range

Applications

- Switchgear
- Distribution systems
- Generator sets
- Control panels
- Energy management
- Building management
- Utility power monitoring
- Process control
- Motor control

Sifam Tinsley offers an extensive range of single phase and three phase current transformers providing a vast array of system primary ratings, apertures, model variants and accuracies to the industry's standards in-order to suit every applications need.

Moulded case Measuring and Protection, Toroidal, Summation, Core balanced, Resin Cast, Split core, 3 Phase Moulded Case and high accuracy (Class 0.2S) Moulded case for tariff metering.



Polycarbonate case having UL 94 V-0

Sifam Tinsley's CTs are housed in robust case with classical finish. The case is made of polycarbonate, which is flame retardant and non-drip and confirms to international regulations UL 94 V-0. Polycarbonate is a very tough and light weight engineering plastic material which has got the best mechanical properties very close to a metallic housing.

Some important terms used in CTs

Current error (Ratio error) :- The error with a transformer introduces into the measurement of current and which arises from the fact that actual transformation ratio is not equal to the rated transformation ratio.

Phase Displacement :- The difference in phase between the primary and secondary current vectors, the direction of the vectors being so chosen that the angle is zero for the perfect transformer. The phase displacement is said to be positive when the secondary current vector leads the primary current vector. It is usually expressed in minutes.

Composite error :- Composite error is the resulting limitation of the harmonic content of the secondary current which is necessary for the correct operation of certain types of relays.

Accuracy Class :- A designation assigned to a current transformer the errors of which remain within specified limit under prescribed conditions of use.

Rated Burden :- The impedance of the secondary circuit on which the accuracy requirements are based. It is usually expressed as apparent power (in VA), at the rated secondary current and at a specified power factor.

Rated Output :- The value of the apparent power (in volt-amperes at a specified power factor) which the current transformer is intended to supply to the secondary circuit at the rated secondary current and with rated burden connected to it.

Features given vary from product to product - for more detailed product specific info please visit our website www.sifamtinsley.co.uk

Highest System Voltage :- The highest rms line to line voltage which can be sustained under normal operating conditions at any time and at any point on the system. It excludes temporary voltage variations due to fault condition and the sudden disconnection of large loads.

Rated Insulation level :- That combination of voltage values (power frequency and lightning impulse, or where applicable, lightning and switching impulse) which characterizes the insulation of a transformer with regard to its capability to withstand by dielectric stresses. For low voltage transformer the test voltage 4kV, at power-frequency, applied during 1 minute.

Rated short time thermal current (with) :- The rms value of the primary current which the current transformer will withstand for a rated time, with their secondary winding short circuited without suffering harmful effects.

Rated dynamic current (Idyn) :- The peak value of the primary current which a current transformer will withstand, without being damaged electrically for mechanically by the resulting electromagnetic forces, the secondary winding being short-circuited.

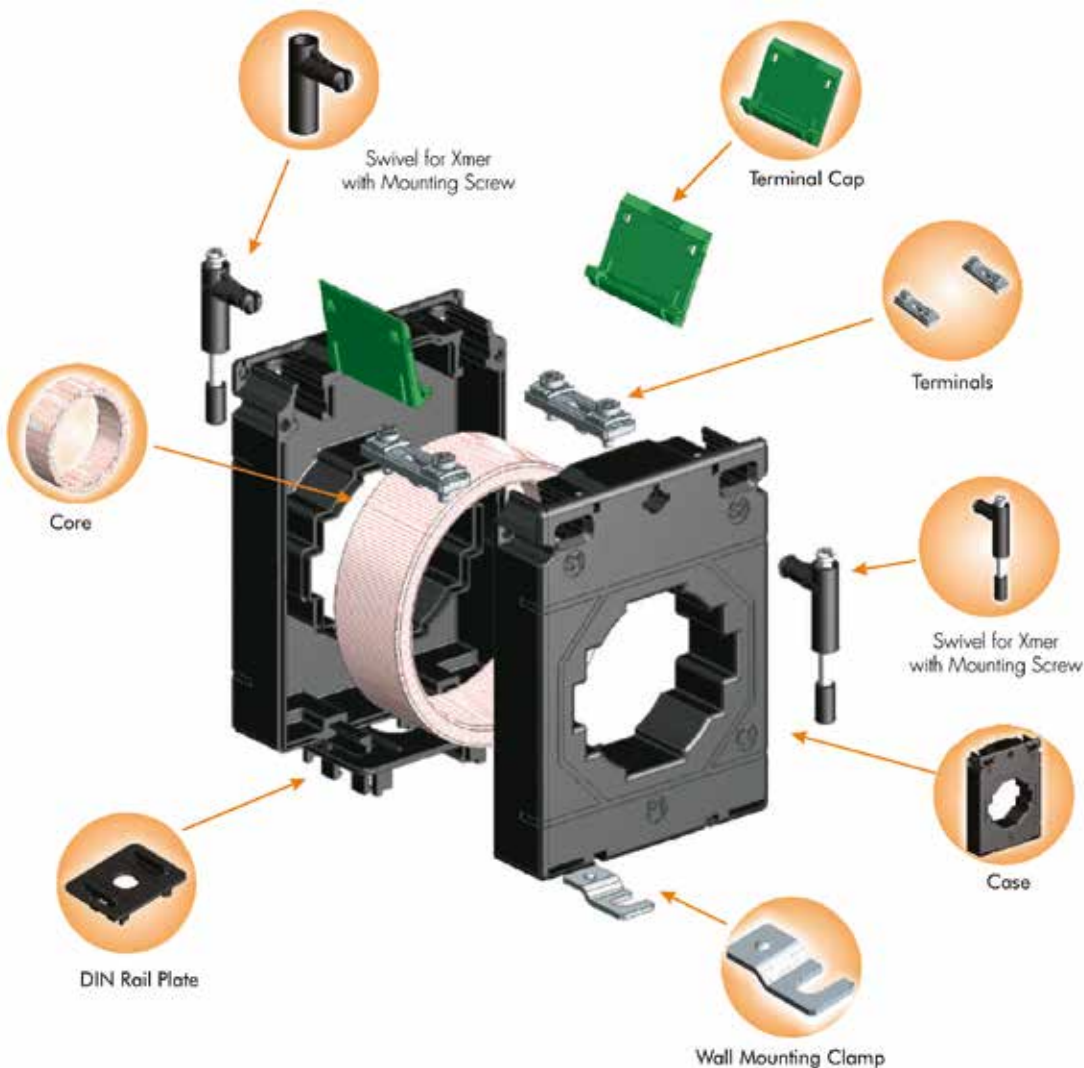
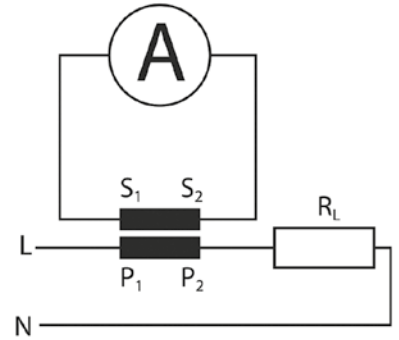
Rated continuous thermal current :- The value of current which can be permitted to flow continuously in the primary winding, the secondary windings being connected to the rated burdens, without the temperature rise exceeding the specified values.

Instrument Security Factor (ISF) :- The ratio of rated instrument limit primary current to the rated primary current. The times that the primary current must be higher than the rated value, for the composite error of a measuring current transformer to be equal to or greater than 10%, the secondary burden being equal to the rated burden. The lower this number is, the more protected the connected instrument are against.

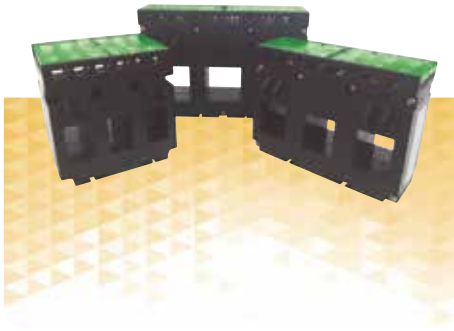
Approvals



Wiring Diagram



OMEGA 3 Phase



Three phase measuring current transformers suitable for primary ranges from 60A to 630A with 5A secondary. Allowing installations directly next to the moulded case circuit breakers for greater speed of installation and optimisation of space. Applicable to MCCB such as Manufacturers: ABB, Hager, Dorman Smith, Schneider, Terasaki, Merlin Gerlin, Chint, Legrand plus many more.

Specifications

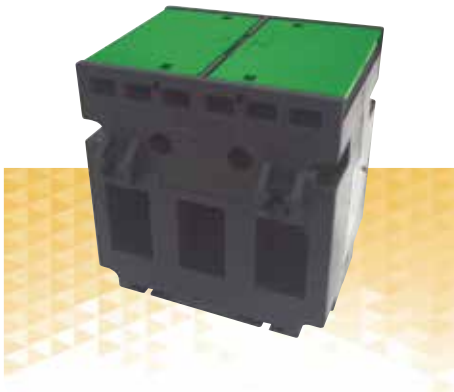
High quality 3 Phase Current Transformers

- System voltage 720V 50-60Hz
- Primary currents 60 to 630 Amps AC
- Test voltage 3kV for 1 minute
- Thermal short circuit current (Ith) 60 x In
- Dynamic short circuit current (Idyn) 2.55 x Ith
- Flame retardant polycarbonate UL94V-0
- International standards IEC/EN 60044-1 / IEC 61869-1, IEC 61010-2
- DIN rail, bus bar or base mounting
- 3 sizes: 15 x 25mm, 21 x 25mm & 31 x 31mm apertures
- Cable apertures from 15.5mm to 31mm
- Accuracy Class 1

Features

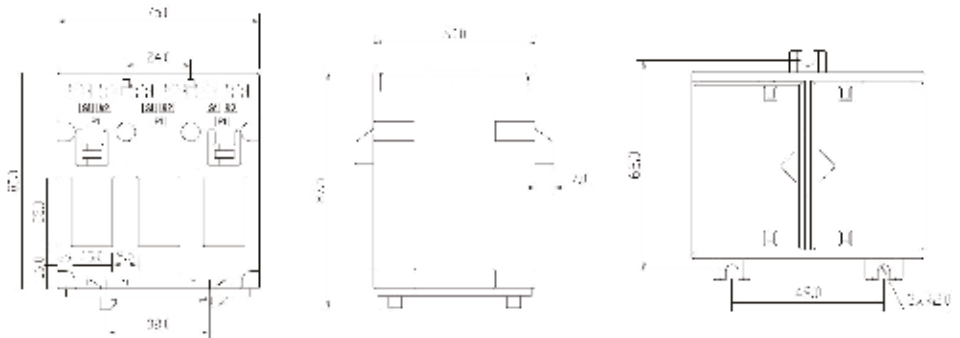
- Wire sealable terminal covers
- Cost effective 3 phase case design
- Various mounting option, Din rail, Busbar or Base mounting
- Secondary terminals combined slot/posi M4 Screws
- Case Material Self-extinguishing classification VO according to UL-94.

XN25



Part Number	CT Ratio	Weight kgs	VA Class 1	Dimensions
XN25-145011S 000000	60/5A	0.6	1	3 x (15 x 25mm) width 76mm
XN25-185031S 000000	100/5A	0.6	1.5	3 x (15 x 25mm) width 76mm
XN25-205031S 000000	125/5A	0.6	1.5	3 x (15 x 25mm) width 76mm
XN25-225031S 000000	150/5A	0.6	1.5	3 x (15 x 25mm) width 76mm
XN25-235031S 000000	160/5A	0.6	1.5	3 x (15 x 25mm) width 76mm

Dimensions



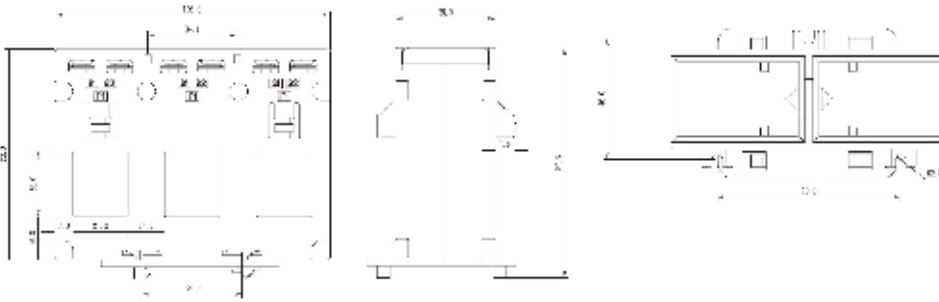
All dimensions are in mm

Features given vary from product to product - for more detailed product specific info please visit our website www.sifamtinsley.co.uk

XN35

Part Number	CT Ratio	Weight kgs	VA Class 1	Dimensions
XN35-145031S 000000	60/5A	0.4	1.5	3 x (21 x 25 mm) width 105mm
XN35-185031S 000000	100/5A	0.4	1.5	3 x (21 x 25 mm) width 105mm
XN35-205031S 000000	125/5A	0.4	1.5	3 x (21 x 25 mm) width 105mm
XN35-225031S 000000	150/5A	0.4	1.5	3 x (21 x 25 mm) width 105mm
XN35-235031S 000000	160/5A	0.4	1.5	3 x (21 x 25 mm) width 105mm
XN35-245031S 000000	200/5A	0.4	1.5	3 x (21 x 25 mm) width 105mm
XN35-275031S 000000	250/5A	0.4	1.5	3 x (21 x 25 mm) width 105mm

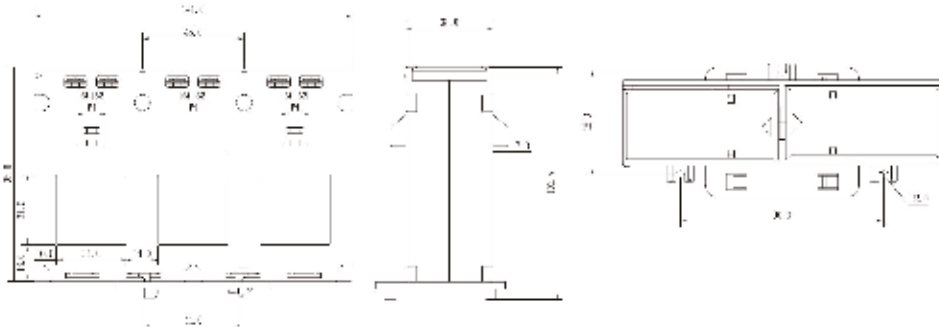
Dimensions



XN45

Part Number	CT Ratio	Weight kgs	VA Class 1	Dimensions
XN45-275031S 000000	250/5A	0.65	1.5	3 x (31 x 31 mm) width 141mm
XN45-285051S 000000	300/5A	0.65	2.5	3 x (31 x 31 mm) width 141mm
XN45-315051S 000000	400/5A	0.65	2.5	3 x (31 x 31 mm) width 141mm
XN45-325051S 000000	500/5A	0.65	2.5	3 x (31 x 31 mm) width 141mm
XN45-335051S 000000	600/5A	0.65	2.5	3 x (31 x 31 mm) width 141mm
XN45-345051S 000000	630/5A	0.65	2.5	3 x (31 x 31 mm) width 141mm

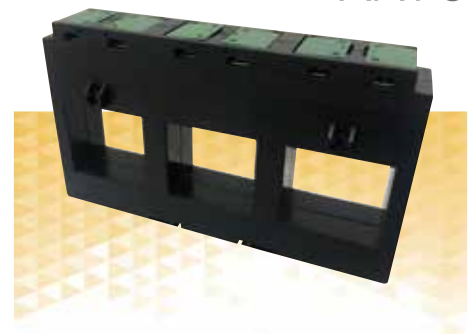
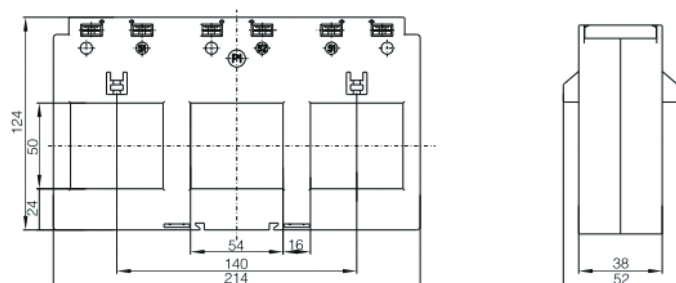
Dimensions



XN70

Part Number	CT Ratio	Weight kgs	VA Class 1	Dimensions
XN70-335111S000000	600/5A	1	10	3 x (54 x 50mm) width 214mm
XN70-375111S000000	800/5A	1	10	3 x (54 x 50mm) width 214mm
XN70-395111S000000	1000/5A	1	10	3 x (54 x 50mm) width 214mm
XN70-405111S000000	1200/5A	1	10	3 x (54 x 50mm) width 214mm
XN70-435111S000000	1600/5A	1	10	3 x (54 x 50mm) width 214mm

Dimensions



Omega single and 3 Phase RJ12 Current Transformers

RJ12 Current Transformers

The 3-phase current transformer range is for use with the AP15-3DL, AP35 and ND20CT meters which combines three traditional current transformers in one moulding case with a RJ12 connection for simple and easy error free installation.

3 Phase current transformers can be directly installed next to a three-phase moulded case circuit breaker, thus saving installation time where fitting three standard individual current transformers would be required. In addition to the 3-phase current transformers, there is also a solid core single pole current transformer available for single phase applications. All 3 phase current transformers are supplied with a 1.5 metre connecting cable, with RJ12 connector termination at each end. Nominal rated secondary current 100mA AC RMS per phase.



RJ12 Current

Features

- RJ12 Plug In Connection
- Multiple Sizes Available
- Simple, Error Free Connection
- CE Approved
- RJ12 Cable Included
- 100mA Secondary
- Fast and convenient way to connect current transformers via RJ12

Specifications

• System Voltage	720V maximum
• Primary Input currents	50-600A AC
• Test Voltage	3kV for 1 minute
• System Frequency	50Hz or 60Hz
• Primary Ratings Secondary Output	100mA AC RMS per Phase
• Overload Withstand	1.2x rated current continuously
• Enclosure	Flame retardant grade classified UL94V-0
• Aperture Hole Centres (3-phase CTs only)	25mm / 35mm / 45mm
• Operating Temperature	-20°C to +85°C
• Compliant	With Accuracy IEC/EN 60044-1 Class 0.5, Class 1

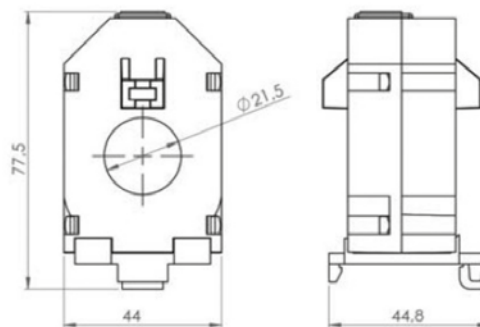
Ordering

RJ12 Single Phase Current Transformer

Case: 44mm wide x 45mm deep x 77.5mm high. Aperture 21.5mm diameter

Part Number	RATIO	VA at CL0.5	VA at CL1
XJ12-132235S000000	50A/100mA	-	0.25VA
XJ12-142235S000000	60A/100mA	-	0.25VA
XJ12-182235S000000	100A/100mA	0.25VA	0.35VA
XJ12-202235S000000	125A/100mA	0.25VA	0.35VA
XJ12-222235S000000	150A/100mA	0.25VA	0.35VA
XJ12-232235S000000	160A/100mA	0.25VA	0.35VA
XJ12-242235S000000	200A/100mA	0.25VA	0.5VA
XJ12-272235S000000	250A/100mA	0.25VA	0.5VA

Dimensions



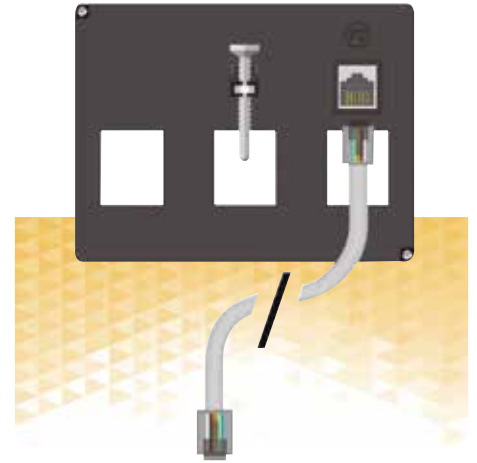
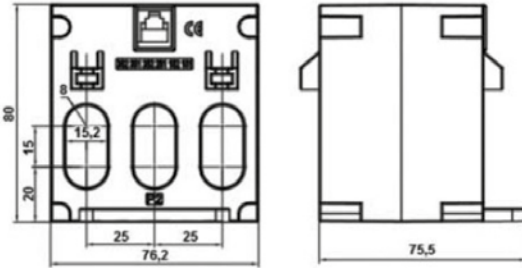
Features given vary from product to product - for more detailed product specific info please visit our website www.sifamtinsley.co.uk

RJ12 Three Phase Current Transformer (25mm Centres)

Case: 76mm wide x 75.5mm deep x 80mm high. Aperture: 3 @ 15mm diameter

Part Number	RATIO	VA at CL0.5	VA at CL1
XJ25-142231S000000	60A/100mA	-	0.25VA
XJ25-182235S000000	100A/100mA	0.25VA	0.35VA
XJ25-202235S000000	125A/100mA	0.25VA	0.35VA
XJ25-222235S000000	150A/100mA	0.25VA	0.35VA
XJ25-232235S000000	160A/100mA	0.25VA	0.35VA
XJ25-242235S000000	200A/100mA	0.25VA	0.35VA

Dimensions

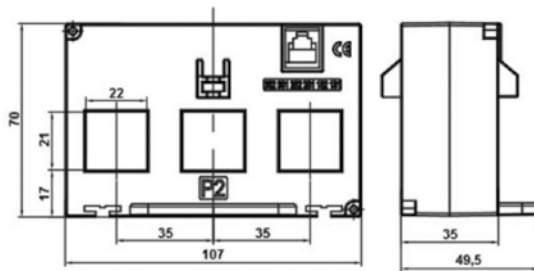


RJ12 Three Phase Current Transformer (35mm Centres)

Case: 107mm wide x 49.5mm deep x 70mm high. Aperture 22 x 21mm

Part Number	RATIO	VA at CL0.5	VA at CL1
XJ35-142231S000000	60A/100mA	-	0.25VA
XJ35-182235S000000	100A/100mA	0.25VA	0.35VA
XJ35-202235S000000	125A/100mA	0.25VA	0.35VA
XJ35-222235S000000	150A/100mA	0.25VA	0.5VA
XJ35-232235S000000	160A/100mA	0.25VA	0.5VA
XJ35-242235S000000	200A/100mA	0.25VA	0.5VA
XJ35-272235S000000	250A/100mA	0.25VA	0.5VA

Dimensions

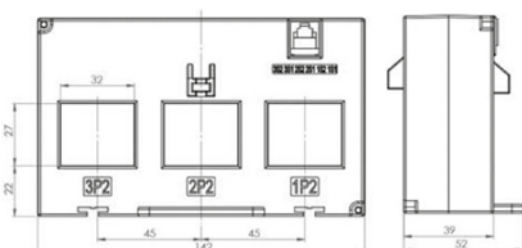


RJ12 Three Phase Current Transformer (45mm Centres)

Case: 142mm wide x 52mm deep x 85mm high. Aperture 32 x 27mm

Part Number	RATIO	VA at CL0.5	VA at CL1
XJ45-272235S000000	250A/100mA	0.25VA	0.5VA
XJ45-312235S000000	400A/100mA	0.25VA	0.5VA
XJ45-332235S000000	600A/100mA	0.25VA	0.5VA

Dimensions



OMEGA XMER



OMEGA XMER

OMEGA XMER CT's are square type and encapsulated with UL94V-0 approved polycarbonate. These metering CT's feature sealable terminal covers and a wide range of primary current ratings. Available in various, Bus bar sizes, case widths, and mounting options.



Specifications

- Primary current 5A to 7500A
- Secondary current 1A or 5A
- Accuracy class 0.5 and 1 (on request 0.2) and see page 26 for Class 0.2S
- Over current limiting factor FS5, FS10, FS15
- Rated frequency 50Hz or 60Hz
- Rated continuous thermal current (standard) 1,2 x in
- Rated short time thermal current with 60 x in, 1 s (Max 40kA)
- Rated isolation level 0.72/3 kV or 0.72/4 kV
- Altitude up to 2000 m
- Degree of protection IP20
- Degree of pollution 2
- Ambient temperature -5°C to + 55°C (0-95% relative humidity, non condensing!)
- Storage temperature -25°C to + 70°C
- Applied standards IEC 60044-1 / IEC 61869-1 : Performance, IEC - 61010 - 2 : Safety.

Features

- Comprehensive class accuracy
- Cost effective moulded case current transformer
- Various mounting options including wall mounting, cable mounting, bus bar mounting and DIN rail mounting
- Available in 0.2 & 0.2s accuracy class
- Wire sealable terminal covers

LCTM 62/W



LCTM 62/W (62mm wide x 40mm deep)

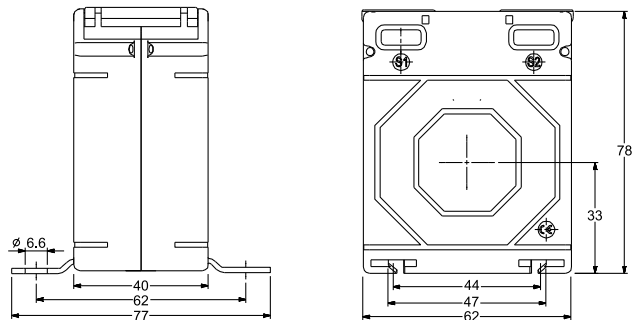
Cat No.	Ratio	VA at CL 0.5
XW01-045055S000000	5/5A	2.5VA
XW01-065055S000000	10/5A	2.5VA
XW01-075055S000000	15/5A	2.5VA
XW01-085055S000000	20/5A	2.5VA
XW01-105055S000000	30/5A	2.5VA

Primary Ratios available from 1A to 30A

Cat No.	Ratio	VA at CL 1.0
XW01-045081S000000	5/5A	5VA
XW01-065081S000000	10/5A	5VA
XW01-075081S000000	15/5A	5VA
XW01-085081S000000	20/5A	5VA
XW01-105081S000000	30/5A	5VA

Primary Ratios available from 1A to 30A

Dimensions



All dimensions are in mm.

NOTE: Please consult Sifam Tinsley on 1A secondary for availability.

Features given vary from product to product - for more detailed product specific info please visit our website www.sifamtinsley.co.uk

LCTM 74/W (74mm wide x 45mm deep)

Cat No.	Ratio	VA at CL 0.5
XW02-045085S000000	5/5A	5VA
XW02-065085S000000	10/5A	5VA
XW02-075085S000000	15/5A	5VA
XW02-085085S000000	20/5A	5VA
XW02-105085S000000	30/5A	5VA
XW02-115085S000000	40/5A	5VA
XW02-135085S000000	50/5A	5VA
XW02-145085S000000	60/5A	5VA

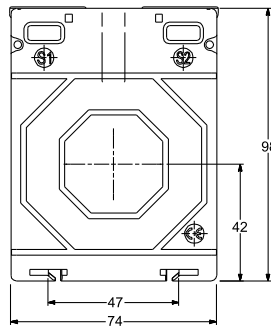
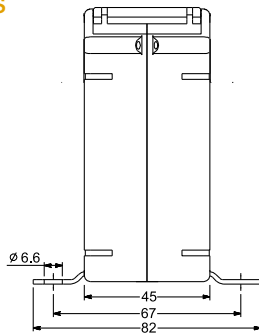
Primary Ratios available from 1A to 60A

Cat No.	Ratio	VA at CL 1.0
XW02-045111S000000	5/5A	10VA
XW02-065111S000000	10/5A	10VA
XW02-075111S000000	15/5A	10VA
XW02-085111S000000	20/5A	10VA
XW02-105111S000000	30/5A	10VA
XW02-115111S000000	40/5A	10VA
XW02-135111S000000	50/5A	10VA
XW02-145111S000000	60/5A	10VA

Primary Ratios available from 1A to 60A

LCTM 74/W

Dimensions



LCTR 44/21

(44mm wide x 30mm deep x 21mm I.D.) designed for fuse disconnectors

Cat No.	Ratio	VA at CL 0.5
XM27-185025S000000G	100/5A	1.25VA
XM27-205035S000000G	125/5A	1.5VA
XM27-225055S000000G	150/5A	2.5VA
XM27-245055S000000G	200/5A	2.5VA
XM27-275055S000000G	250/5A	2.5VA
XM27-285085S000000G	300/5A	5VA

Primary Ratios available from 100A to 300A

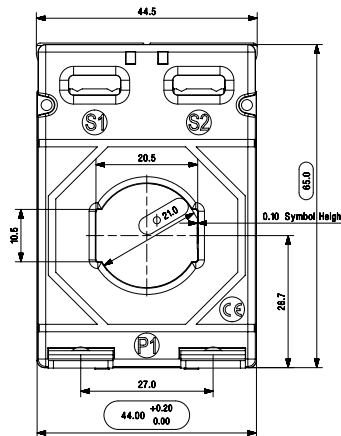
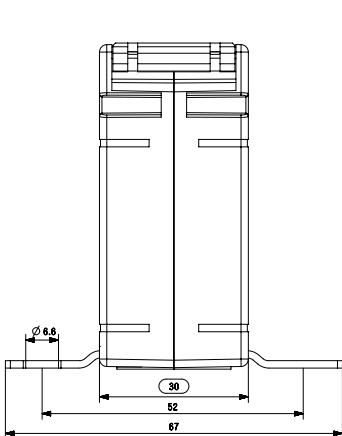
Cat No.	Ratio	VA at CL 1
XM27-135191S000000G	50/5A	0.5VA
XM27-145201S000000G	60/5A	0.75VA
XM27-165021S000000G	75/5A	1.25VA
XM27-175031S000000G	80/5A	1.5VA
XM27-185051S000000G	100/5A	2.5VA
XM27-205051S000000G	125/5A	2.5VA
XM27-225071S000000G	150/5A	3.75VA
XM27-245071S000000G	200/5A	3.75VA
XM27-275081S000000G	250/5A	5VA
XM27-285081S000000G	300/5A	5VA

Primary Ratios available from 50A to 300A

LCTR 44/21



Dimensions



LCTR 45/14



LCTR 45/14 (45mm wide x 40mm deep x 14mm I.D.)

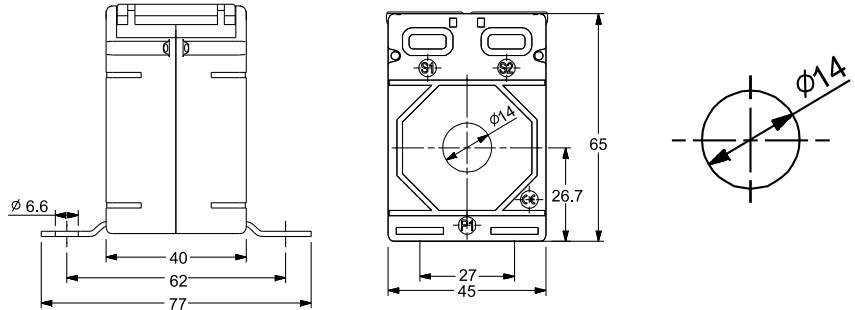
Cat No.	Ratio	VA at CL 0.5
XM01-175015S000000	80/5A	1VA
XM01-185035S000000	100/5A	1.5VA
XM01-205055S000000	125/5A	2.5VA
XM01-225055S000000	150/5A	2.5VA
XM01-245075S000000	200/5A	3.75VA
XM01-275085S000000	250/5A	5VA
XM01-285111S000000	300/5A	10VA

Primary Ratios available from 80A to 300A

Cat No.	Ratio	VA at CL 1.0
XM01-105011S000000	30/5A	1VA
XM01-115011S000000	40/5A	1VA
XM01-135031S000000	50/5A	1.5VA
XM02-145031S000000	60/5A	1.5VA
XM01-175051S000000	80/5A	2.5VA
XM01-185071S000000	100/5A	3.75VA
XM01-205071S000000	125/5A	3.75VA
XM01-225081S000000	150/5A	5VA
XM01-245101S000000	200/5A	7.5VA
XM01-275101S000000	250/5A	7.5VA
XM01-285081S000000	300/5A	10VA

Primary Ratios available from 30A to 300A

Dimensions



LCTR 45/21



LCTR 45/21 (45mm wide x 40mm deep x (21 x 10mm) I.D.)

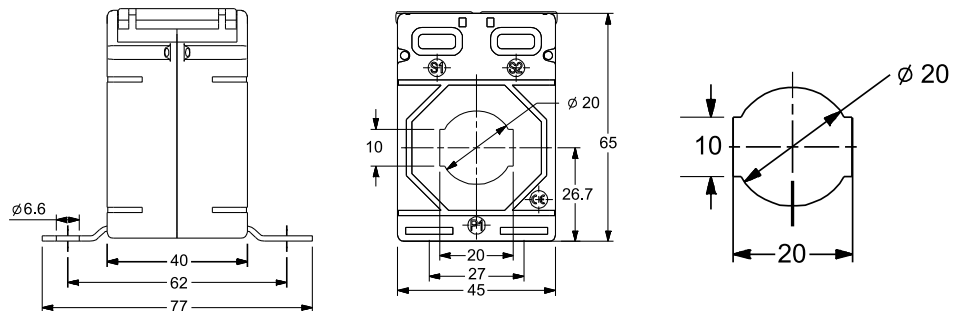
Cat No.	Ratio	VA at CL 0.5
XM02-175015S000000	80/5A	1VA
XM02-185035S000000	100/5A	1.5VA
XM02-205055S000000	125/5A	2.5VA
XM02-225055S000000	150/5A	2.5VA
XM02-245075S000000	200/5A	3.75VA
XM02-275075S000000	250/5A	3.75VA
XM02-285085S000000	300/5A	5VA
XM02-315085S000000	400/5A	5VA

Primary Ratios available from 80A to 400A

Cat No.	Ratio	VA at CL 1.0
XM02-135031S000000	50/5A	1.5VA
XM02-145031S000000	60/5A	1.5VA
XM02-175051S000000	80/5A	2.5VA
XM02-185071S000000	100/5A	3.75VA
XM02-205071S000000	125/5A	3.75VA
XM02-225071S000000	150/5A	3.75VA
XM02-245081S000000	200/5A	5VA
XM02-275081S000000	250/5A	5VA
XM02-285081S000000	300/5A	5VA
XM02-315081S000000	400/5A	5VA

Primary Ratios available from 50A to 400A

Dimensions



Features given vary from product to product
 -for more detailed product specific info please
 visit our website www.sifamtinsley.co.uk

LCTR 50/14 (50mm wide x 30mm deep x (14mm) I.D.)

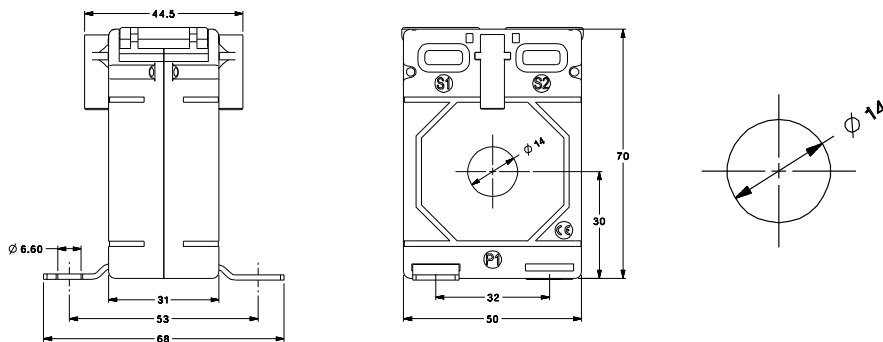
Cat No.	Ratio	VA at CL 0.5
XM03-185055S000000	100/5A	2.5VA
XM03-205055S000000	125/5A	2.5VA
XM03-225075S000000	150/5A	3.75VA
XM03-245075S000000	200/5A	3.75VA
XM03-275085S000000	250/5A	5VA
XM03-285105S000000	300/5A	7.5VA

Primary Ratios available from 100A to 300A

Cat No.	Ratio	VA at CL 1.0
XM03-115011S000000	40/5A	1VA
XM03-135031S000000	50/5A	1.5VA
XM03-145031S000000	60/5A	1.5VA
XM03-175031S000000	80/5A	1.5VA
XM03-185071S000000	100/5A	3.75VA
XM03-205071S000000	125/5A	3.75VA
XM03-225081S000000	150/5A	5VA
XM03-245081S000000	200/5A	5VA
XM03-275101S000000	250/5A	7.5VA
XM03-285101S000000	300/5A	7.5VA

Primary Ratios available from 40A to 300A

Dimensions



LCTR 50/14 (50) (50mm wide x 50mm deep x (14mm) I.D.)

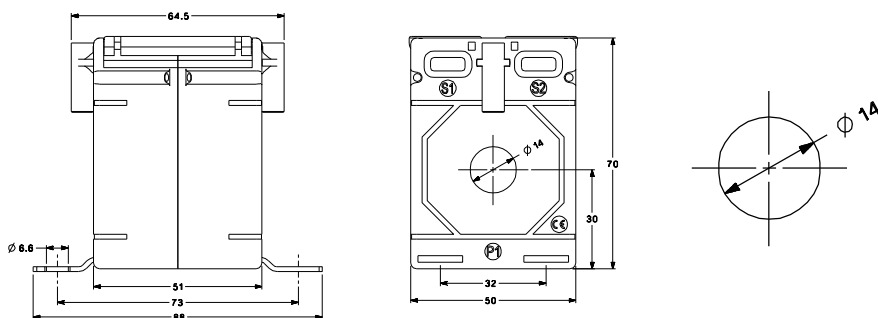
Cat No.	Ratio	VA at CL 0.5
XM04-135035S000000	50/5A	1.5VA
XM04-145035S000000	60/5A	1.5VA
XM04-175055S000000	80/5A	2.5VA
XM04-185075S000000	100/5A	3.75VA
XM04-205075S000000	125/5A	3.75VA
XM04-225085S000000	150/5A	5VA
XM04-245105S000000	200/5A	7.5VA
XM04-275121S000000	250/5A	12.5VA
XM04-285121S000000	300/5A	12.5VA

Primary Ratios available from 50A to 300A

Cat No.	Ratio	VA at CL 1.0
XM04-115011S000000	30/5A	1VA
XM04-115011S000000	40/5A	1VA
XM04-135031S000000	50/5A	1.5VA
XM04-145031S000000	60/5A	1.5VA
XM04-175081S000000	80/5A	5VA
XM04-185081S000000	100/5A	5VA
XM04-205081S000000	125/5A	5VA
XM04-225101S000000	150/5A	7.5VA
XM04-245111S000000	200/5A	10VA
XM04-275111S000000	250/5A	10VA
XM04-285111S000000	300/5A	10VA

Primary Ratios available from 30A to 300A

Dimensions



LCTR 50/14 (30)



LCTR 50/14 (50)



LCTR 50/21 (30)



LCTR 50/21 (30) (50mm wide x 30mm deep x (21 x 10mm) I.D.)

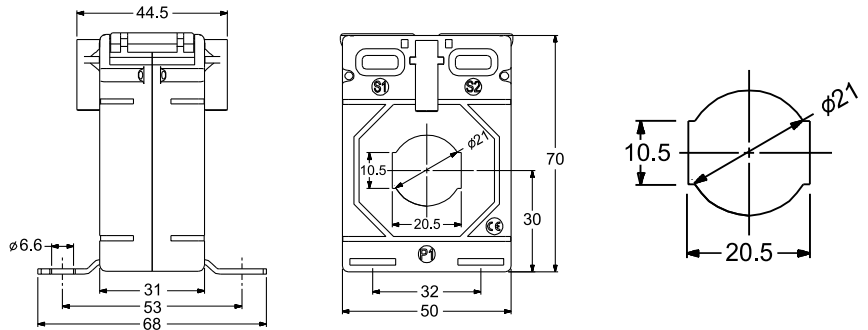
Cat No.	Ratio	VA at CL 0.5
XM05-175015S000000	80/5A	1VA
XM05-185035S000000	100/5A	1.5VA
XM05-205055S000000	125/5A	2.5VA
XM05-225055S000000	150/5A	2.5VA
XM05-245075S000000	200/5A	3.75VA
XM05-275085S000000	250/5A	5VA
XM05-285085S000000	300/5A	5VA
XM05-315085S000000	400/5A	5VA

Primary Ratios available from 80A to 400A

Cat No.	Ratio	VA at CL 1.0
XM05-135011S000000	50/5A	1VA
XM05-145011S000000	60/5A	1VA
XM05-175051S000000	80/5A	2.5VA
XM05-185051S000000	100/5A	2.5VA
XM05-205071S000000	125/5A	3.75VA
XM05-225081S000000	150/5A	5VA
XM05-245081S000000	200/5A	5VA
XM05-275085S000000	250/5A	5VA
XM05-285101S000000	300/5A	7.5VA
XM05-315101S000000	400/5A	7.5VA

Primary Ratios available from 50A to 400A

Dimensions



LCTR 50/21 (50)



LCTR 50/21 (50) (50mm wide x 50mm deep x (21 x 10mm) I.D.)

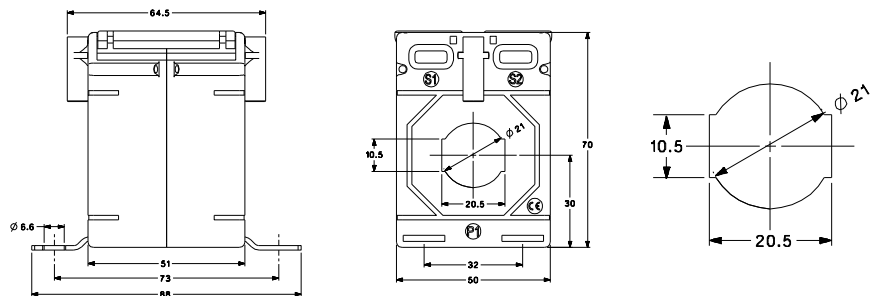
Cat No.	Ratio	VA at CL 0.5
XM06-135015S000000	50/5A	1VA
XM06-145015S000000	60/5A	1VA
XM06-175055S000000	80/5A	2.5VA
XM06-185055S000000	100/5A	2.5VA
XM06-205085S000000	125/5A	5VA
XM06-225085S000000	150/5A	5VA
XM06-245105S000000	200/5A	7.5VA
XM06-275105S000000	250/5A	7.5VA
XM06-285105S000000	300/5A	7.5VA
XM06-315115S000000	400/5A	10VA

Primary Ratios available from 50A to 400A

Cat No.	Ratio	VA at CL 1.0
XM06-145051S000000	60/5A	2.5VA
XM06-175071S000000	80/5A	5VA
XM06-185071S000000	100/5A	5VA
XM06-205071S000000	125/5A	5VA
XM06-225111S000000	150/5A	10VA
XM06-245111S000000	200/5A	10VA
XM06-275115S000000	250/5A	10VA
XM06-285121S000000	300/5A	12.5VA
XM06-315131S000000	400/5A	15VA

Primary Ratios available from 60A to 400A

Dimensions

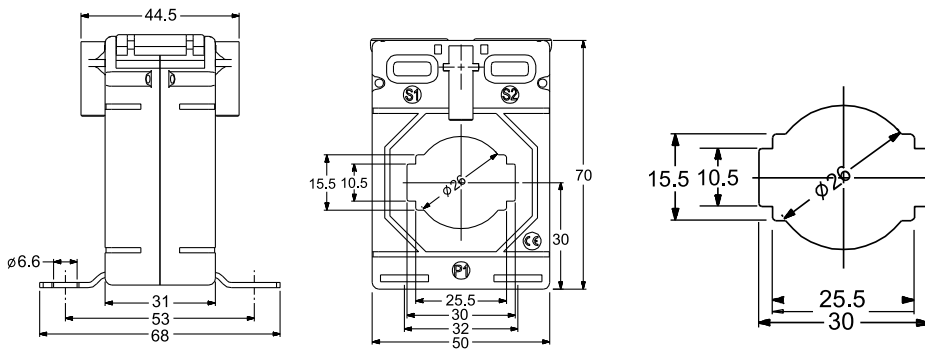


Features given vary from product to product
 -for more detailed product specific info please
 visit our website www.sifamtinsley.co.uk

LCTB 50/30 (30) (50mm wide x 30mm deep x (30 x 10mm) I.D.)

Cat No.	Ratio	VA at CL 0.5	Cat No.	Ratio	VA at CL 1.0
XM07-185015S000000	100/5A	1VA	XM07-175031S000000	80/5A	1.5VA
XM07-205015S000000	125/5A	1VA	XM07-185051S000000	100/5A	2.5VA
XM07-225055S000000	150/5A	2.5VA	XM07-205051S000000	125/5A	2.5VA
XM07-245055S000000	200/5A	2.5VA	XM07-225071S000000	150/5A	3.75VA
XM07-275085S000000	250/5A	5VA	XM07-245081S000000	200/5A	5VA
XM07-285085S000000	300/5A	5VA	XM07-275081S000000	250/5A	5VA
XM07-315085S000000	400/5A	5VA	XM07-285081S000000	300/5A	5VA
XM07-325085S000000	500/5A	5VA	XM07-315091S000000	400/5A	6.25VA
XM07-335085S000000	600/5A	5VA	XM07-325091S000000	500/5A	6.25VA
Primary Ratios available from 100A to 600A			XM07-335101S000000	600/5A	7.5VA

Dimensions

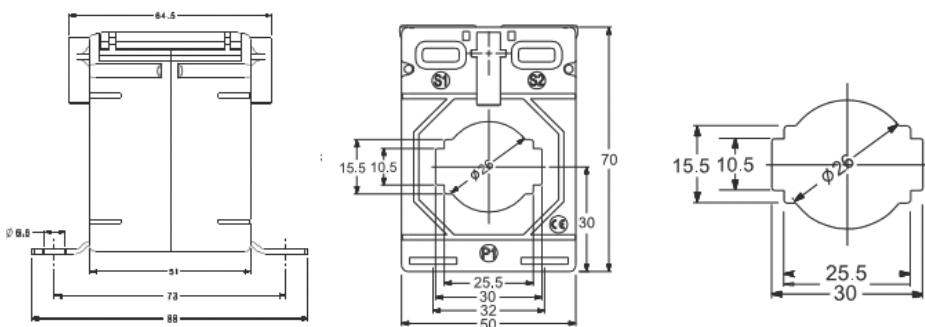


LCTB 50/30 (50) (50mm wide x 50mm deep x (30 x 30mm) I.D.)

Cat No.	Ratio	VA at CL 0.5	Cat No.	Ratio	VA at CL 1.0
XM08-185055S000000	100/5A	2.5VA	XM08-175051S000000	80/5A	2.5VA
XM08-205055S000000	125/5A	2.5VA	XM08-185081S000000	100/5A	5VA
XM08-22505S000000	150/5A	5VA	XM08-205081S000000	125/5A	5VA
XM08-245085S000000	200/5A	5VA	XM08-225081S000000	150/5A	5VA
XM08-275085S000000	250/5A	5VA	XM08-245101S000000	200/5A	7.5VA
XM08-285085S000000	300/5A	5VA	XM08-275111S000000	250/5A	10VA
XM08-315115S000000	400/5A	10VA	XM08-285111S000000	300/5A	10VA
XM08-325115S000000	500/5A	10VA	XM08-315121S000000	400/5A	12.5VA
XM08-335115S000000	600/5A	10VA	XM08-325121S000000	500/5A	12.5VA
Primary Ratios available from 100A to 600A			XM08-335131S000000	600/5A	15VA

Primary Ratios available from 50A to 600A

Dimensions



LCTR 50/30 (30)



LCTB 50/30 (50)



LCTB 60/30 (40)



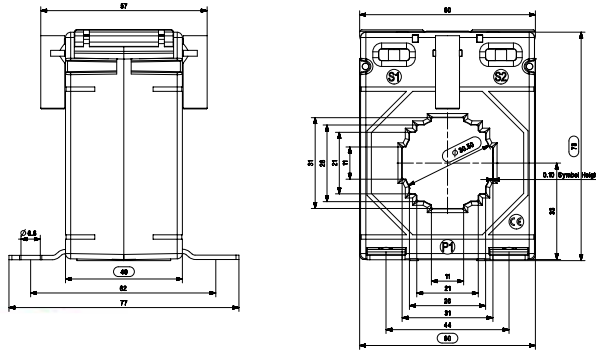
LCTB - 60/30 (40)

(60mm wide x 40mm deep x height 78mm, 30.5mm I.D.)

Cat No.	Ratio	VA at CL 0.5
XM28-185195S00000G	100/5A	1.75VA
XM28-205055S000000	125/5A	2.5VA
XM28-225085S000000	150/5A	5VA
XM28-245085S000000	200/5A	5VA
XM28-275115S000000	250/5A	10VA
XM28-285115S000000	300/5A	10VA
XM28-315115S000000	400/5A	10VA
XM28-325115S000000	500/5A	10VA
XM28-335135S000000	600/5A	15VA
XM28-365135S000000	750/5A	15VA

Cat No.	Ratio	VA at CL 1
XM28-135011S000000	50/5A	1VA
XM27-145**1S00000G	60/5A	0.75VA
XM28-145021S000000	60/5A	1.25VA
XM28-165051S000000	75/5A	2.5VA
XM28-175051S000000	80/5A	2.5VA
XM28-185071S000000	100/5A	3.75VA
XM28-205081S000000	125/5A	5VA
XM28-225081S000000	150/5A	5VA
XM28-245101S000000	200/5A	7.5VA
XM28-275111S000000	250/5A	10VA
XM28-285131S000000	300/5A	15VA
XM28-315131S000000	400/5A	15VA
XM28-325131S000000	500/5A	15VA
XM28-335131S000000	600/5A	15VA
XM28-365131S000000	750/5A	15VA

Dimensions



LCTB 62R



LCTB 62R (62mm Wide x 40mm deep x (22.5mm) I.D.)

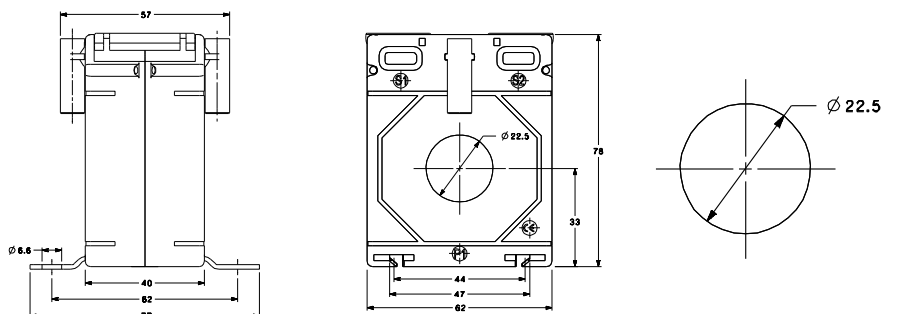
Cat No.	Ratio	VA at CL 0.5
XM09-185055S000000	100/5A	2.5VA
XM09-205075S000000	125/5A	3.75VA
XM09-225085S000000	150/5A	5VA
XM09-245105S000000	200/5A	7.5VA
XM09-275115S000000	250/5A	10VA
XM09-285115S000000	300/5A	10VA
XM09-315135S000000	400/5A	15VA
XM09-325135S000000	500/5A	15VA
XM09-335135S000000	600/5A	15VA

Primary Ratios available from 100A to 600A

Cat No.	Ratio	VA at CL 1.0
XM09-135021S000000	50/5A	1.5VA
XM09-145051S000000	60/5A	2.5VA
XM09-175051S000000	80/5A	2.5VA
XM09-185081S000000	100/5A	5VA
XM09-205081S000000	125/5A	5VA
XM09-225101S000000	150/5A	7.5VA
XM09-245111S000000	200/5A	10VA
XM09-275131S000000	250/5A	15VA
XM09-285131S000000	300/5A	15VA
XM09-315131S000000	400/5A	15VA
XM09-325131S000000	500/5A	15VA
XM09-335131S000000	600/5A	15VA

Primary Ratios available from 50A to 600A

Dimensions



Features given vary from product to product
 -for more detailed product specific info please
 visit our website www.sifamtinsley.co.uk

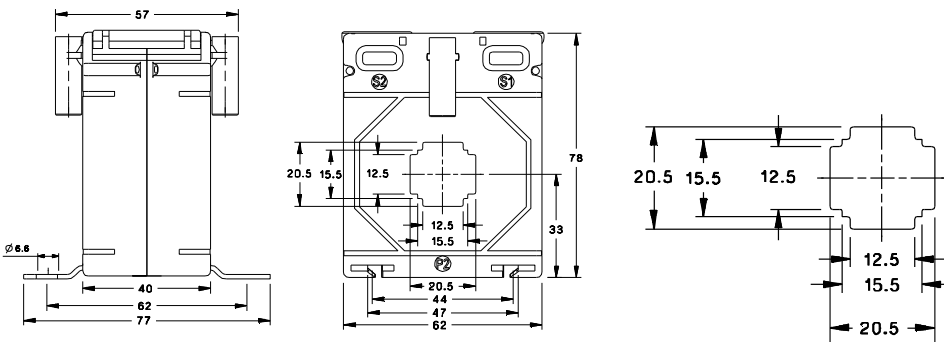
LCTB 62/20 (62mm Wide x 40mm deep x (20.5x20.5mm) I.D.)

Cat No.	Ratio	VA at CL 0.5	Cat No.	Ratio	VA at CL 1.0
XM10-175035S000000	80/5A	1.5VA	XM10-135031S000000	50/5A	1.5VA
XM10-185055S000000	100/5A	2.5VA	XM10-145051S000000	60/5A	2.5VA
XM10-205075S000000	125/5A	3.75VA	XM10-175071S000000	80/5A	3.75VA
XM10-225085S000000	150/5A	5VA	XM10-185081S000000	100/5A	5VA
XM10-245105S000000	200/5A	7.5VA	XM10-205081S000000	125/5A	5VA
XM10-275115S000000	250/5A	10VA	XM10-225101S000000	150/5A	7.5VA
XM10-285115S000000	300/5A	10VA	XM10-245111S000000	200/5A	10VA
XM10-315135S000000	400/5A	15VA	XM10-275131S000000	250/5A	15VA
			XM10-285131S000000	300/5A	15VA
			XM10-315131S000000	400/5A	15VA

Primary Ratios available from 80A to 400A

Primary Ratios available from 50A to 400A

Dimensions



LCTB 62/20



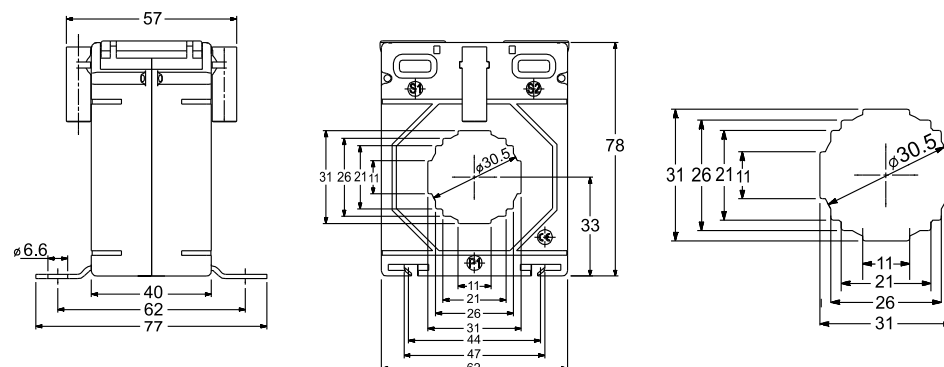
Note: Model available in Class 0.2S please refer to page 26

LCTB 62/30 (62mm Wide x 40mm deep x (30 x 11mm) I.D.)

Cat No.	Ratio	VA at CL 0.5	Cat No.	Ratio	VA at CL 1.0
XM11-185035S000000	100/5A	1.5VA	XM11-185051S000000	100/5A	2.5VA
XM11-205055S000000	125/5A	2.5VA	XM11-205071S000000	125/5A	3.75VA
XM11-225075S000000	150/5A	3.75VA	XM11-225081S000000	150/5A	5VA
XM11-245085S000000	200/5A	5VA	XM11-245101S000000	200/5A	7.5VA
XM11-275085S000000	250/5A	5VA	XM11-275101S000000	250/5A	7.5VA
XM11-285085S000000	300/5A	5VA	XM11-285111S000000	300/5A	10VA
XM11-315105S000000	400/5A	7.5VA	XM11-315121S000000	400/5A	12.5VA
XM11-325115S000000	500/5A	10VA	XM11-325121S000000	500/5A	12.5VA
XM11-335135S000000	600/5A	15VA	XM11-335131S000000	600/5A	15VA
XM11-335135S000000	750/5A	15VA			
XM11-335135S000000	800/5A	15VA			

Primary Ratios available from 100A to 800A

Dimensions



LCTB 62/30



Note: Model available in Class 0.2S please refer to page 27

LCTB 62/30 (50)



Note: Model available in Class 0.2S
 please refer to page 27

LCTB 62/30 (50) (62mm wide x 50mm deep x (30 x 11mm) I.D.)

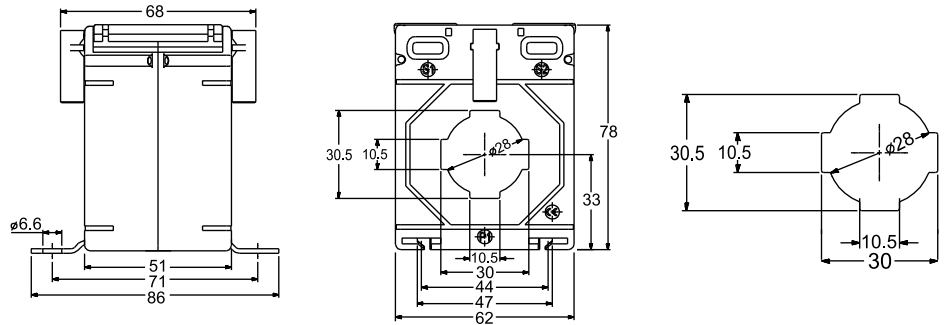
Cat No.	Ratio	VA at CL 0.5
XM12-185085S000000	100/5A	5VA
XM12-205085S000000	125/5A	5VA
XM12-225085S000000	150/5A	5VA
XM12-245115S000000	200/5A	10VA
XM12-275135S000000	250/5A	15VA
XM12-285135S000000	300/5A	15VA
XM12-315135S000000	400/5A	15VA
XM12-325135S000000	500/5A	15VA
XM12-335145S000000	600/5A	20VA
XM12-365145S000000	750/5A	20VA
XM12-375145S000000	800/5A	20VA

Primary Ratios available from 100A to 800A

Cat No.	Ratio	VA at CL 1.0
XM12-185081S000000	100/5A	5VA
XM12-205081S000000	125/5A	5VA
XM12-225101S000000	150/5A	7.5VA
XM12-245131S000000	200/5A	15VA
XM12-275131S000000	250/5A	15VA
XM12-285131S000000	300/5A	15VA
XM12-315151S000000	400/5A	30VA
XM12-325151S000000	500/5A	30VA
XM12-335151S000000	600/5A	30VA
XM12-365151S000000	750/5A	30VA
XM12-375151S000000	800/5A	30VA

Primary Ratios available from 40A to 800A

Dimensions



LCTB 62/40



Note: Model available in Class 0.2S
 please refer to page 28

LCTB 62/40 (62mm wide x 40mm deep x (40 x 11mm) I.D.)

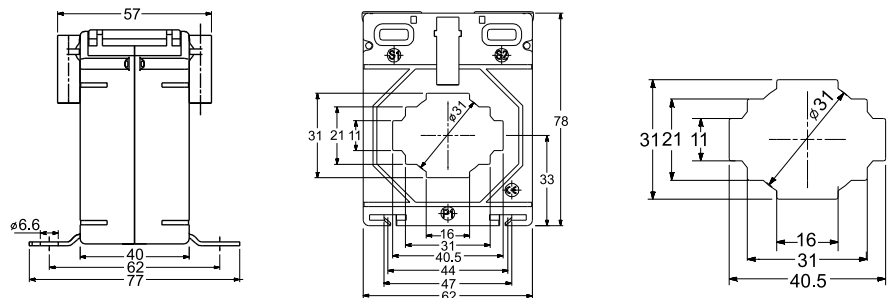
Cat No.	Ratio	VA at CL 0.5
XM13-245035S000000	200/5A	1.5VA
XM13-275055S000000	250/5A	2.5VA
XM13-285085S000000	300/5A	5VA
XM13-315085S000000	400/5A	5VA
XM13-325085S000000	500/5A	5VA
XM13-335105S000000	600/5A	7.5VA
XM13-365115S000000	750/5A	10VA
XM13-375115S000000	800/5A	10VA

Primary Ratios available from 200A to 800A

Cat No.	Ratio	VA at CL 1.0
XM13-185011S000000	100/5A	1VA
XM13-205031S000000	125/5A	1.5VA
XM13-225051S000000	150/5A	2.5VA
XM13-245071S000000	200/5A	3.75VA
XM13-275081S000000	250/5A	5VA
XM13-285081S000000	300/5A	5VA
XM13-315081S000000	400/5A	5VA
XM13-325101S000000	500/5A	7.5VA
XM13-335111S000000	600/5A	10VA
XM13-365111S000000	750/5A	10VA
XM13-375111S000000	800/5A	10VA

Primary Ratios available from 100A to 800A

Dimensions



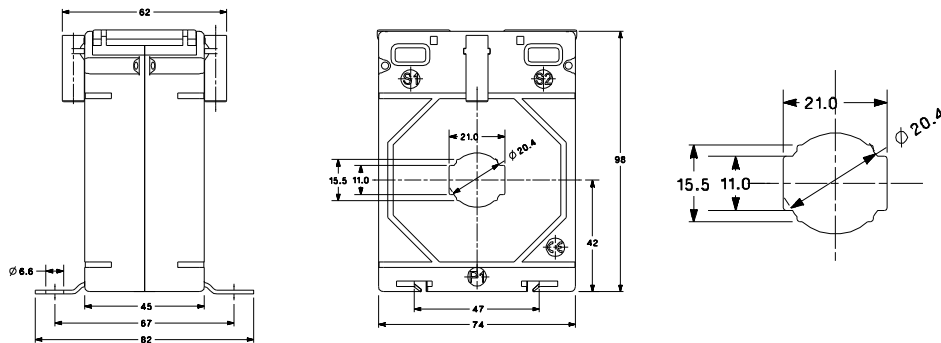
Features given vary from product to product
 -for more detailed product specific info please
 visit our website www.sifamtinsley.co.uk

LCTB 74/20 (74mm wide x 45mm deep x (20.4mm) I.D.)

Cat No.	Ratio	VA at CL 0.5	Cat No.	Ratio	VA at CL 1.0
XM14-185085S000000	100/5A	5VA	XM14-185101S000000	100/5A	7.5VA
XM14-205085S000000	125/5A	5VA	XM14-205111S000000	125/5A	10VA
XM14-225105S000000	150/5A	7.5VA	XM14-225121S000000	150/5A	12.5VA
XM14-245115S000000	200/5A	10VA	XM14-245131S000000	200/5A	15VA
XM14-275115S000000	250/5A	10VA	XM14-275131S000000	250/5A	15VA
XM14-285135S000000	300/5A	15VA	XM14-285131S000000	300/5A	15VA
XM14-315135S000000	400/5A	15VA	XM14-315141S000000	400/5A	20VA

Primary Ratios available from 80A to 400A Primary Ratios available from 50A to 400A

Dimensions



LCTB 74/20



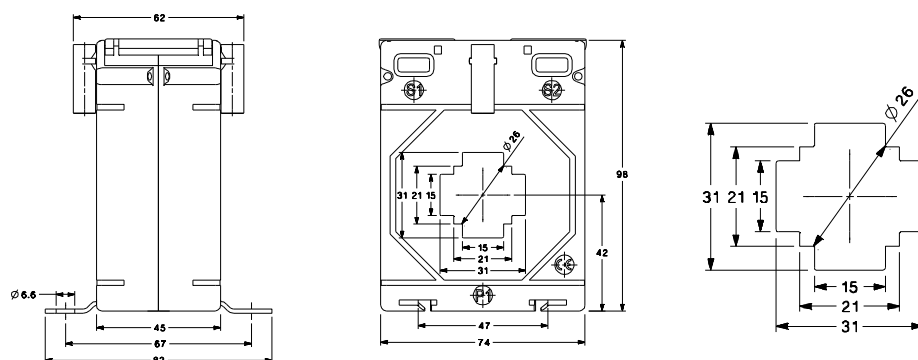
Note: Model available in Class 0.2S please refer to page 28

LCTB 74/30 (74mm wide x 45mm deep x (31x31mm) I.D.)

Cat No.	Ratio	VA at CL 0.5	Cat No.	Ratio	VA at CL 1.0
XM15-185055S000000	100/5A	2.5VA	XM15-185081S000000	100/5A	5VA
XM15-205055S000000	125/5A	2.5VA	XM15-205081S000000	125/5A	5VA
XM15-225085S000000	150/5A	5VA	XM15-225101S000000	150/5A	7.5VA
XM15-245115S000000	200/5A	10VA	XM15-245131S000000	200/5A	15VA
XM15-275115S000000	250/5A	10VA	XM15-275131S000000	250/5A	15VA
XM15-285115S000000	300/5A	10VA	XM15-285131S000000	300/5A	15VA
XM15-315135S000000	400/5A	15VA	XM15-315141S000000	400/5A	20VA
XM15-325135S000000	500/5A	15VA	XM15-325141S000000	500/5A	20VA
XM15-335135S000000	600/5A	15VA	XM15-335141S000000	600/5A	20VA
XM15-365145S000000	750/5A	20VA	XM15-365151S000000	750/5A	30VA
XM15-375155S000000	800/5A	30VA	XM15-375151S000000	800/5A	30VA

Primary Ratios available from 80A to 800A Primary Ratios available from 60A to 800A

Dimensions



LCTB 74/30



Note: Model available in Class 0.2S please refer to page 29

LCTB 74/40



Note: Model available in Class 0.2S please refer to page 29

LCTB 74/40 (74mm wide x 45mm deep x (41x41mm) I.D.)

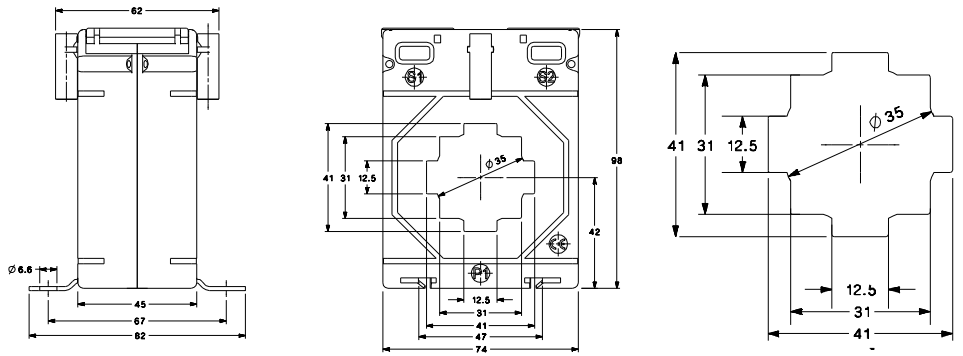
Cat No.	Ratio	VA at CL 0.5
XM16-185035S000000	100/5A	1.5VA
XM16-205035S000000	125/5A	1.5VA
XM16-225055S000000	150/5A	2.5VA
XM16-245075S000000	200/5A	3.75VA
XM16-275085S000000	250/5A	5VA
XM16-285085S000000	300/5A	5VA
XM16-315105S000000	400/5A	7.5VA
XM16-325115S000000	500/5A	10VA
XM16-335135S000000	600/5A	15VA
XM16-365135S000000	750/5A	15VA
XM16-375135S000000	800/5A	15VA
XM16-395135S000000	1000/5A	15VA

Primary Ratios available from 100A to 1000A

Cat No.	Ratio	VA at CL 1.0
XM16-185051S000000	100/5A	2.5VA
XM16-205051S000000	125/5A	2.5VA
XM16-225071S000000	150/5A	3.75VA
XM16-245081S000000	200/5A	5VA
XM16-275101S000000	250/5A	7.5VA
XM16-285101S000000	300/5A	7.5VA
XM16-315121S000000	400/5A	12.5VA
XM16-325131S000000	500/5A	15VA
XM16-335141S000000	600/5A	20VA
XM16-365141S000000	750/5A	20VA
XM16-375141S000000	800/5A	20VA
XM16-395141S000000	1000/5A	20VA

Primary Ratios available from 40A to 1000A

Dimensions



LCTB 74/50



Note: Model available in Class 0.2S please refer to page 30

LCTB 74/50 (74mm wide x 45mm deep x (50 x 12mm) I.D.)

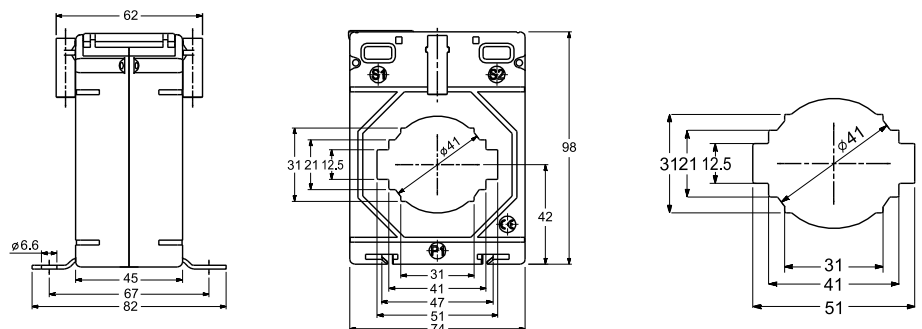
Cat No.	Ratio	VA at CL 0.5
XM17-275055S000000	250/5A	2.5VA
XM17-285085S000000	300/5A	5VA
XM17-315085S000000	400/5A	5VA
XM17-325105S000000	500/5A	7.5VA
XM17-335115S000000	600/5A	10VA
XM17-365125S000000	750/5A	12.5VA
XM17-375125S000000	800/5A	12.5VA
XM17-395125S000000	1000/5A	12.5VA

Primary Ratios available from 250A to 1000A

Cat No.	Ratio	VA at CL 1.0
XM17-185031S000000	100/5A	1.5VA
XM17-205031S000000	125/5A	1.5VA
XM17-225051S000000	150/5A	2.5VA
XM17-245071S000000	200/5A	3.75VA
XM17-275081S000000	250/5A	5VA
XM17-285101S000000	300/5A	7.5VA
XM17-315101S000000	400/5A	7.5VA
XM17-325111S000000	500/5A	10VA
XM17-335121S000000	600/5A	12.5VA
XM17-365131S000000	750/5A	15VA
XM17-375131S000000	800/5A	15VA
XM17-395131S000000	1000/5A	15VA

Primary Ratios available from 100A to 1000A

Dimensions



Features given vary from product to product -for more detailed product specific info please visit our website www.sifamtinsley.co.uk

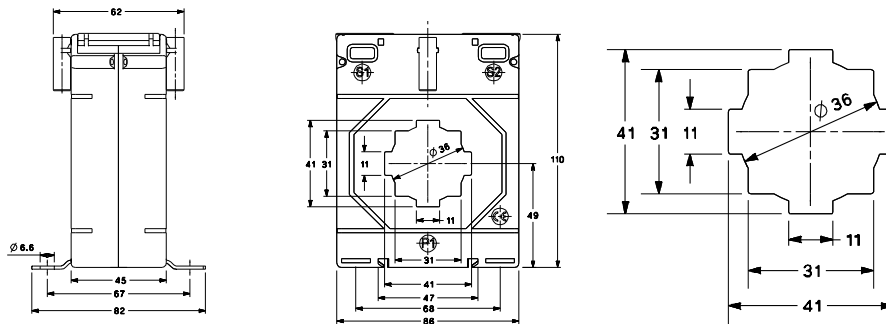
LCTB 86/40 (86mm wide x 45mm deep x (41 x 41mm) I.D.)

Cat No.	Ratio	VA at CL 0.5	Cat No.	Ratio	VA at CL 1.0
XM18-185035S000000	100/5A	1.5VA	XM18-185071S000000	100/5A	3.75VA
XM18-205055S000000	125/5A	2.5VA	XM18-205081S000000	125/5A	5VA
XM18-225075S000000	150/5A	3.75VA	XM18-225081S000000	150/5A	5VA
XM18-245085S000000	200/5A	5VA	XM18-245101S000000	200/5A	7.5VA
XM18-275105S000000	250/5A	7.5VA	XM18-275121S000000	250/5A	12.5VA
XM18-285115S000000	300/5A	10VA	XM18-285131S000000	300/5A	15VA
XM18-315135S000000	400/5A	15VA	XM18-315141S000000	400/5A	20VA
XM18-325145S000000	500/5A	20VA	XM18-325151S000000	500/5A	30VA
XM18-335155S000000	600/5A	30VA	XM18-335151S000000	600/5A	30VA
XM18-365155S000000	750/5A	30VA	XM18-365151S000000	750/5A	30VA
XM18-375155S000000	800/5A	30VA	XM18-375151S000000	800/5A	30VA
XM18-395155S000000	1000/5A	30VA	XM18-395151S000000	1000/5A	30VA

Primary Ratios available from 100A to 1000A

Primary Ratios available from 60A to 1000A

Dimensions



LCTB 86/40



Note: Model available in Class 0.2S please refer to page 30

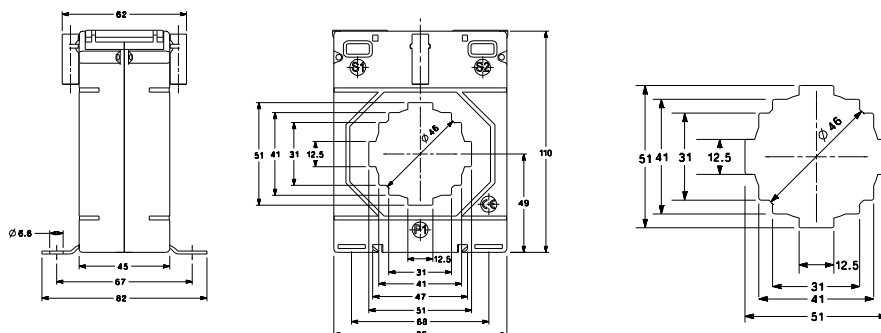
LCTB 86/50 (86mm wide x 45mm deep x (51 x 51mm) I.D.)

Cat No.	Ratio	VA at CL 0.5	Cat No.	Ratio	VA at CL 1.0
XM19-245085S000000	200/5A	5VA	XM19-245101S000000	200/5A	7.5VA
XM19-275105S000000	250/5A	7.5VA	XM19-275111S000000	250/5A	10VA
XM19-285105S000000	300/5A	7.5VA	XM19-285111S000000	300/5A	10VA
XM19-315135S000000	400/5A	15VA	XM19-315131S000000	400/5A	15VA
XM19-325135S000000	500/5A	15VA	XM19-325141S000000	500/5A	20VA
XM19-335135S000000	600/5A	15VA	XM19-335141S000000	600/5A	20VA
XM19-365135S000000	750/5A	15VA	XM19-365141S000000	750/5A	20VA
XM19-375145S000000	800/5A	20VA	XM19-375151S000000	800/5A	30VA
XM19-395155S000000	1000/5A	30VA	XM19-395151S000000	1000/5A	30VA
XM19-405155S000000	1200/5A	30VA	XM19-405151S000000	1200/5A	30VA
XM19-415155S000000	1250/5A	30VA	XM19-415151S000000	1250/5A	30VA

Primary Ratios available from 125A to 1250A

Primary Ratios available from 100A to 1250A

Dimensions



LCTB 86/50



Note: Model available in Class 0.2S please refer to page 31

All dimensions are in mm.

NOTE: Please consult Sifam Tinsley on 1A secondary for availability.

LCTB 86/60



Note: Model available in Class 0.2S please refer to page 31

LCTB 86/60 (86mm wide x 45mm deep x (61 x 51mm) I.D.)

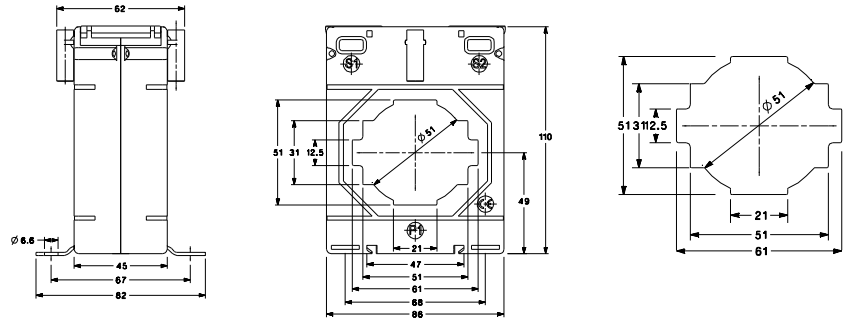
Cat No.	Ratio	VA at CL 0.5
XM20-275055S000000	250/5A	2.5VA
XM20-285085S000000	300/5A	5VA
XM20-315115S000000	400/5A	10VA
XM20-325115S000000	500/5A	10VA
XM20-335135S000000	600/5A	15VA
XM20-365135S000000	750/5A	15VA
XM20-375145S000000	800/5A	20VA
XM20-395145S000000	1000/5A	20VA
XM20-405145S000000	1200/5A	20VA
XM20-415145S000000	1250/5A	20VA
XM20-425145S000000	1500/5A	20VA
XM20-435145S000000	1600/5A	20VA

Primary Ratios available from 200A to 1600A

Cat No.	Ratio	VA at CL 1.0
XM20-275051S000000	250/5A	2.5VA
XM20-285081S000000	300/5A	5VA
XM20-315111S000000	400/5A	10VA
XM20-325111S000000	500/5A	10VA
XM20-335131S000000	600/5A	15VA
XM20-365141S000000	750/5A	20VA
XM20-375141S000000	800/5A	20VA
XM20-395141S000000	1000/5A	20VA
XM20-405141S000000	1200/5A	20VA
XM20-415141S000000	1250/5A	20VA
XM20-425141S000000	1500/5A	20VA
XM20-435141S000000	1600/5A	20VA

Primary Ratios available from 100A to 1600A

Dimensions



LCTB 104/60



Note: Model available in Class 0.2S please refer to page 32

LCTB 104/60 (104mm wide x 45mm deep x (60 x 12mm) I.D.)

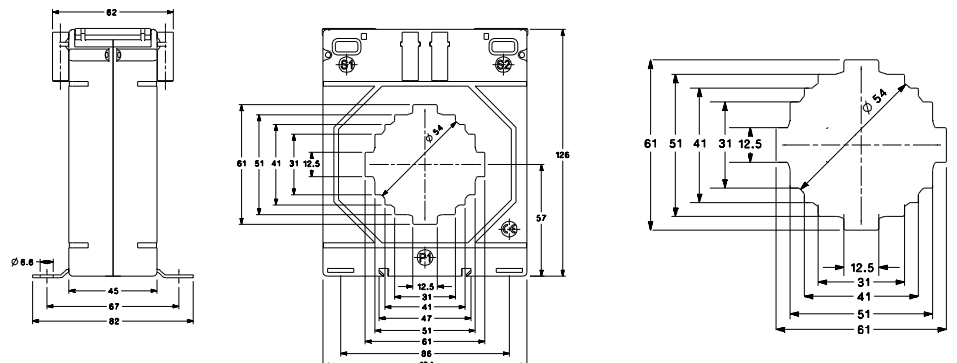
Cat No.	Ratio	VA at CL 0.5
XM21-275105S000000	250/5A	7.5VA
XM21-285115S000000	300/5A	10VA
XM21-315115S000000	400/5A	10VA
XM21-325135S000000	500/5A	15VA
XM21-335135S000000	600/5A	15VA
XM21-365145S000000	750/5A	20VA
XM21-375155S000000	800/5A	30VA
XM21-395155S000000	1000/5A	30VA
XM21-405155S000000	1200/5A	30VA
XM21-415155S000000	1250/5A	30VA
XM21-425155S000000	1500/5A	30VA
XM21-365155S000000	1600/5A	30VA

Primary Ratios available from 150A to 1600A

Cat No.	Ratio	VA at CL 1.0
XM21-275121S000000	250/5A	12.5VA
XM21-285131S000000	300/5A	15VA
XM21-315131S000000	400/5A	15VA
XM21-325141S000000	500/5A	20VA
XM21-335151S000000	600/5A	30VA
XM21-365151S000000	750/5A	30VA
XM21-375151S000000	800/5A	30VA
XM21-395161S000000	1000/5A	45VA
XM21-405161S000000	1200/5A	45VA
XM21-415161S000000	1250/5A	45VA
XM21-425161S000000	1500/5A	45VA
XM21-365161S000000	1600/5A	45VA

Primary Ratios available from 100A to 1600A

Dimensions



Features given vary from product to product -for more detailed product specific info please visit our website www.sifamtinsley.co.uk

LCTB 104/80 (104mm wide x 45mm deep x (80 x 12mm) I.D.)

Cat No.	Ratio	VA at CL 0.5	Cat No.	Ratio	VA at CL 1.0
XM22-275035S000000	250/5A	1.5VA	XM22-275051S000000	250/5A	2.5VA
XM22-285055S000000	300/5A	2.5VA	XM22-285101S000000	300/5A	7.5VA
XM22-315085S000000	400/5A	5VA	XM22-315111S000000	400/5A	10VA
XM22-325085S000000	500/5A	5VA	XM22-325111S000000	500/5A	10VA
XM22-335105S000000	600/5A	7.5VA	XM22-335121S000000	600/5A	12.5VA
XM22-365115S000000	750/5A	10VA	XM22-365131S000000	750/5A	15VA
XM22-375115S000000	800/5A	10VA	XM22-375131S000000	800/5A	15VA
XM22-395145S000000	1000/5A	20VA	XM22-395141S000000	1000/5A	20VA
XM22-405145S000000	1200/5A	20VA	XM22-405151S000000	1200/5A	30VA
XM22-415145S000000	1250/5A	20VA	XM22-415151S000000	1250/5A	30VA
XM22-425145S000000	1500/5A	20VA	XM22-425151S000000	1500/5A	30VA
XM22-435145S000000	1600/5A	20VA	XM22-435151S000000	1600/5A	30VA
XM22-445145S000000	2000/5A	20VA	XM22-445151S000000	2000/5A	30VA

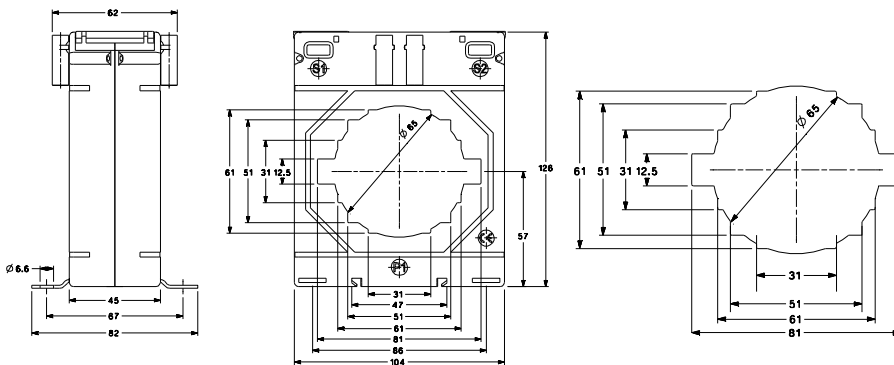
Primary Ratios available from 250A to 2000A Primary Ratios available from 200A to 2000A

LCTB 104/80



Note: Model available in Class 0.2S please refer to page 32

Dimensions



LCTB 140/80 (140mm wide x 45mm deep x (80mm x 30mm) I.D.)

Cat No.	Ratio	VA at CL 0.5	Cat No.	Ratio	VA at CL 1.0
XM23-275085S000000	250/5A	5VA	XM23-275111S000000	250/5A	10VA
XM23-285105S000000	300/5A	7.5VA	XM23-285131S000000	300/5A	15VA
XM23-315115S000000	400/5A	10VA	XM23-315141S000000	400/5A	20VA
XM23-325135S000000	500/5A	15VA	XM23-325151S000000	500/5A	30VA
XM23-335135S000000	600/5A	15VA	XM23-335151S000000	600/5A	30VA
XM23-365135S000000	750/5A	15VA	XM23-365161S000000	750/5A	45VA
XM23-375135S000000	800/5A	15VA	XM23-375161S000000	800/5A	45VA
XM23-395155S000000	1000/5A	30VA	XM23-395171S000000	1000/5A	60VA
XM23-405155S000000	1200/5A	30VA	XM23-405171S000000	1200/5A	60VA
XM23-415175S000000	1250/5A	60VA	XM23-415171S000000	1250/5A	60VA
XM23-425175S000000	1500/5A	60VA	XM23-425171S000000	1500/5A	60VA
XM23-435175S000000	1600/5A	60VA	XM23-435171S000000	1600/5A	60VA
XM23-445175S000000	2000/5A	60VA	XM23-445171S000000	2000/5A	60VA

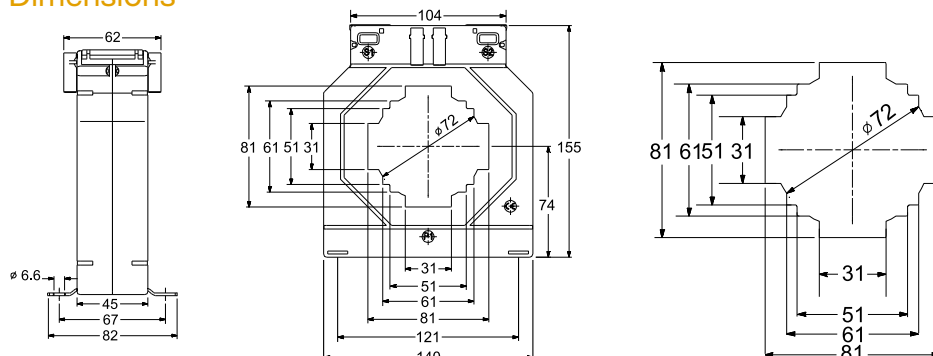
Primary Ratios available from 200A to 2000A Primary Ratios available from 200A to 2000A

LCTB 140/80



Note: Model available in Class 0.2S please refer to page 33

Dimensions



All dimensions are in mm.

NOTE: Please consult Sifam Tinsley on 1A secondary for availability.

LCTB 140/100H



**Note: Model available in Class 0.2S
please refer to page 33**

LCTB 140/100H (140mm wide x 45mm deep x (100 x 30mm) I.D.)

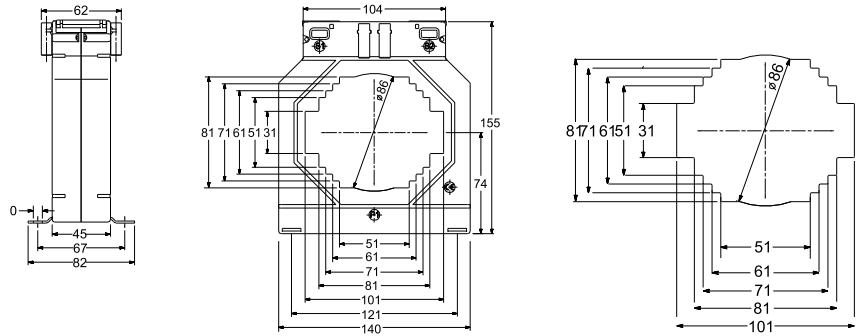
Cat No.	Ratio	VA at CL 0.5
XM24-325115S000000	500/5A	10VA
XM24-335115S000000	600/5A	10VA
XM24-365135S000000	750/5A	15VA
XM24-375135S000000	800/5A	15VA
XM24-395135S000000	1000/5A	15VA
XM24-405135S000000	1200/5A	15VA
XM24-415135S000000	1250/5A	15VA
XM24-425145S000000	1500/5A	20VA
XM24-435145S000000	1600/5A	20VA
XM24-445165S000000	2000/5A	45VA
XM24-465165S000000	2500/5A	45VA
XM24-485175S000000	3000/5A	60VA
XM24-515175S000000	4000/5A	60VA

Primary Ratios available from 200A to 4000A

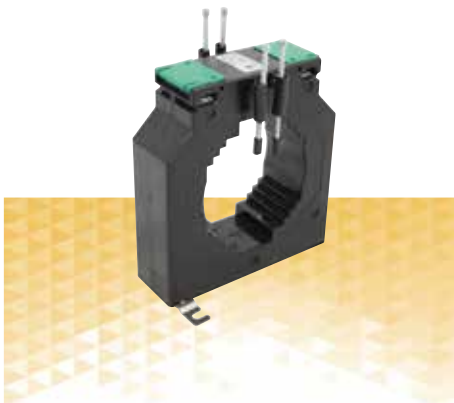
Cat No.	Ratio	VA at CL 1.0
XM24-325151S000000	500/5A	12.5VA
XM24-335151S000000	600/5A	15VA
XM24-365161S000000	750/5A	20VA
XM24-375141S000000	800/5A	20VA
XM24-395141S000000	1000/5A	20VA
XM24-405151S000000	1200/5A	30VA
XM24-415151S000000	1250/5A	30VA
XM24-425151S000000	1500/5A	30VA
XM24-435161S000000	1600/5A	45VA
XM24-445161S000000	2000/5A	45VA
XM24-465161S000000	2500/5A	45VA4
XM24-485171S000000	3000/5A	60VA
XM24-515171S000000	4000/5A	60VA

Primary Ratios available from 200A to 4000A

Dimensions



LCTB 110/100V



**Note: Model available in Class 0.2S
please refer to page 34**

LCTB 140/100V (140mm wide x 45mm deep x (81 x 101mm) I.D.)

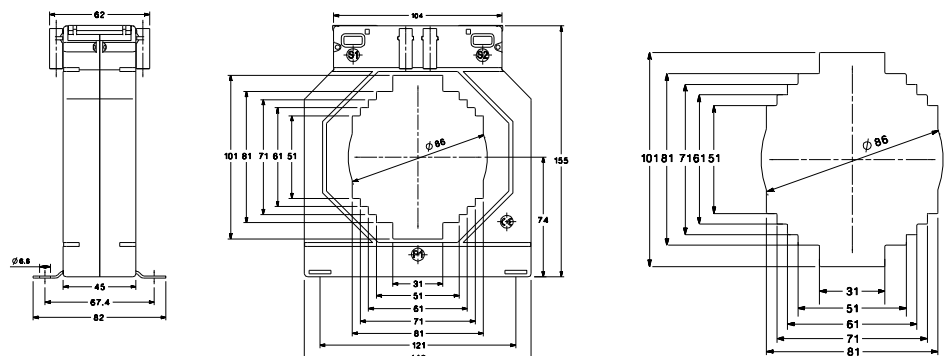
Cat No.	Ratio	VA at CL 0.5
XM25-325115S000000	500/5A	10VA
XM25-335125S000000	600/5A	12.5VA
XM25-365135S000000	750/5A	15VA
XM25-375135S000000	800/5A	15VA
XM25-395135S000000	1000/5A	15VA
XM25-405135S000000	1200/5A	15VA
XM25-415135S000000	1250/5A	15VA
XM25-425155S000000	1500/5A	30VA
XM25-435165S000000	1600/5A	45VA
XM25-445165S000000	2000/5A	45VA
XM25-465165S000000	2500/5A	45VA
XM25-485175S000000	3000/5A	60VA

Primary Ratios available from 200A to 3000A

Cat No.	Ratio	VA at CL 1.0
XM25-325121S000000	500/5A	12.5VA
XM25-335131S000000	600/5A	15VA
XM25-365141S000000	750/5A	20VA
XM25-375141S000000	800/5A	20VA
XM25-395141S000000	1000/5A	20VA
XM25-405151S000000	1200/5A	30VA
XM25-415151S000000	1250/5A	30VA
XM25-425151S000000	1500/5A	30VA
XM25-435161S000000	1600/5A	45VA
XM25-445161S000000	2000/5A	45VA
XM25-465161S000000	2500/5A	45VA
XM25-485171S000000	3000/5A	60VA

Primary Ratios available from 200A to 3000A

Dimensions



Features given vary from product to product
-for more detailed product specific info please
visit our website www.sifamtinsley.co.uk

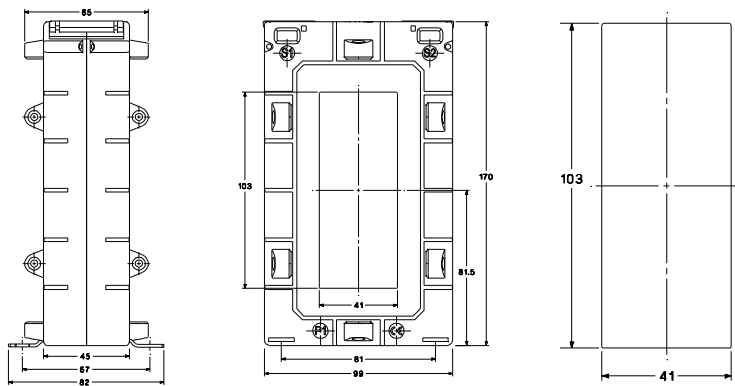
LCTB 100/100V (170mm wide x 99mm deep x (41 x 103mm) I.D.)

Cat No.	Ratio	VA at CL 0.5	Cat No.	Ratio	VA at CL 1.0
XR01-335055S000000	600/5A	2.5VA	XR01-335081S000000	600/5A	5VA
XR01-365055S000000	750/5A	2.5VA	XR01-365081S000000	750/5A	5VA
XR01-375085S000000	800/5A	5VA	XR01-375111S000000	800/5A	10VA
XR01-395115S000000	1000/5A	10VA	XR01-395131S000000	1000/5A	15VA
XR01-405115S000000	1200/5A	10VA	XR01-405131S000000	1200/5A	15VA
XR01-415115S000000	1250/5A	10VA	XR01-415131S000000	1250/5A	15VA
XR01-425135S000000	1500/5A	15VA	XR01-425151S000000	1500/5A	30VA
XR01-435135S000000	1600/5A	15VA	XR01-435151S000000	1600/5A	30VA
XR01-445135S000000	2000/5A	15VA	XR01-445151S000000	2000/5A	30VA
XR01-465135S000000	2500/5A	15VA	XR01-465141S000000	2500/5A	20VA

Primary Ratios available from 400A to 2500A

Primary Ratios available from 400A to 2500A

Dimensions



LCTB 100/100V



Note: Model available in Class 0.2S please refer to page 34

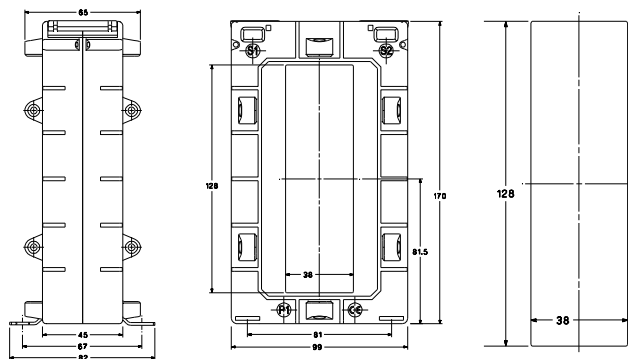
LCTB 100/130V (170mm wide x 99mm deep x (38 x 128mm) I.D.)

Cat No.	Ratio	VA at CL 0.5	Cat No.	Ratio	VA at CL 1.0
XR02-335055S000000	600/5A	2.5VA	XR02-335081S000000	600/5A	5VA
XR02-365055S000000	750/5A	2.5VA	XR02-365081S000000	750/5A	5VA
XR02-375085S000000	800/5A	5VA	XR02-375111S000000	800/5A	10VA
XR02-395115S000000	1000/5A	10VA	XR02-395131S000000	1000/5A	15VA
XR02-405115S000000	1200/5A	10VA	XR02-405131S000000	1200/5A	15VA
XR02-415115S000000	1250/5A	10VA	XR02-415131S000000	1250/5A	15VA
XR02-425135S000000	1500/5A	15VA	XR02-425151S000000	1500/5A	30VA
XR02-435135S000000	1600/5A	15VA	XR02-435151S000000	1600/5A	30VA
XR02-445135S000000	2000/5A	15VA	XR02-445151S000000	2000/5A	30VA
XR02-465135S000000	2500/5A	15VA	XR02-46515S000000	2500/5A	30VA
XR02-485115S000000	3000/5A	10VA	XR02-485121S000000	3000/5A	12.5VA
XR02-495115S000000	3200/5A	10VA	XR02-495121S000000	200/5A	12.5VA

Primary Ratios available from 400A to 3200A

Primary Ratios available from 400A to 3200A

Dimensions



LCTB 100/130V



All dimensions are in mm.

NOTE: Please consult Sifam Tinsley on 1A secondary for availability.

LCTB 140/130V

LCTB 140/130V (140mm wide x 45mm deep x (70 x 130mm) I.D.)

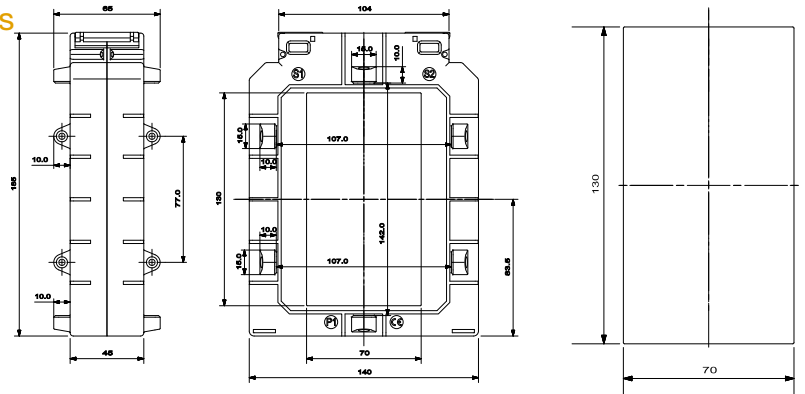
Cat No.	Ratio	VA at CL 0.5
XR03-335055S000000	600/5A	3.75VA
XR03-365055S000000	750/5A	5VA
XR03-375085S000000	800/5A	5VA
XR03-395115S000000	1000/5A	10VA
XR03-405115S000000	1200/5A	10VA
XR03-415115S000000	1250/5A	10VA
XR03-425135S000000	1500/5A	15VA
XR03-435135S000000	1600/5A	15VA
XR03-445145S000000	2000/5A	20VA
XR03-465145S000000	2500/5A	20VA
XR03-485145S000000	3000/5A	20VA
XR03-495145S000000	3200/5A	20VA
XR03-515145S000000	4000/5A	20VA
XR03-525145S000000	5000/5A	20VA

Primary Ratios available from 400A to 5000A

Cat No.	Ratio	VA at CL 1.0
XR03-335081S000000	600/5A	5VA
XR03-365101S000000	750/5A	7.5VA
XR03-375101S000000	800/5A	7.5VA
XR03-395111S000000	1000/5A	10VA
XR03-405131S000000	1200/5A	15VA
XR03-415131S000000	1250/5A	15VA
XR03-425131S000000	1500/5A	15VA
XR03-435131S000000	1600/5A	15VA
XR03-445141S000000	2000/5A	20VA
XR03-465141S000000	2500/5A	20VA
XR03-485141S000000	3000/5A	20VA
XR03-495141S000000	3200/5A	20VA
XR03-515141S000000	4000/5A	20VA
XR03-525141S000000	5000/5A	20VA

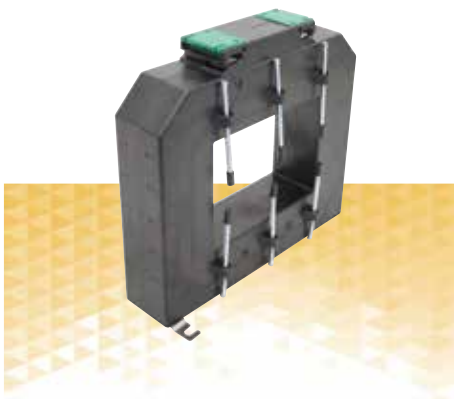
Primary Ratios available from 400A to 5000A

Dimensions



LCTB 225/125

LCTB 225/125 (225mm wide x 50mm deep x (125mm x 93mm) I.D.)



Note: Model available in Class 0.2S please refer to page 36

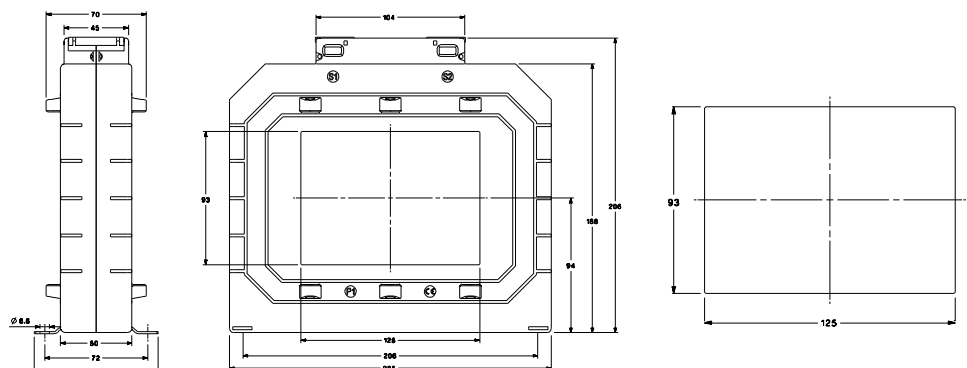
Cat No.	Ratio	VA at CL 0.5
XR04-395115S000000	1000/5A	10VA
XR04-405115S000000	1200/5A	10VA
XR04-415115S000000	1250/5A	10VA
XR04-425135S000000	1500/5A	15VA
XR04-435135S000000	1600/5A	15VA
XR04-445135S000000	2000/5A	15VA
XR04-465155S000000	2500/5A	30VA
XR04-485155S000000	3000/5A	30VA
XR04-515165S000000	4000/5A	45VA
XR04-525185S000000	5000/5A	100VA
XR04-535185S000000	6000/5A	100VA

Primary Ratios available from 600A to 6000A

Cat No.	Ratio	VA at CL 1.0
XR04-395131S000000	1000/5A	15VA
XR04-405131S000000	1200/5A	15VA
XR04-415131S000000	1250/5A	15VA
XR04-425151S000000	1500/5A	30VA
XR04-435151S000000	1600/5A	30VA
XR04-445151S000000	2000/5A	30VA
XR04-465151S000000	2500/5A	30VA
XR04-485171S000000	3000/5A	60VA
XR04-515171S000000	4000/5A	60VA
XR04-525181S000000	5000/5A	100VA
XR04-535181S000000	6000/5A	100VA

Primary Ratios available from 200A to 3000A

Dimensions



Features given vary from product to product -for more detailed product specific info please visit our website www.sifamtinsley.co.uk

LCTB 225/167 (225mm wide x 50mm deep x (167mm x 66mm) I.D.)

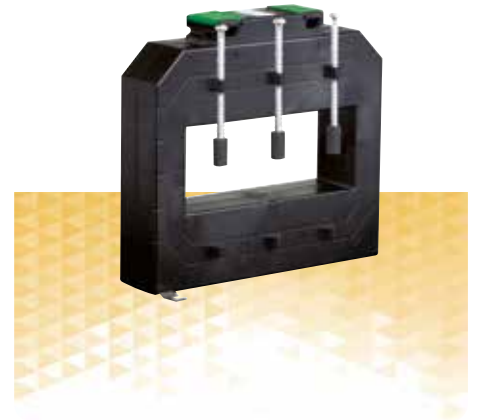
Cat No.	Ratio	VA at CL 0.5
XR05-395085S000000	1000/5A	5VA
XR05-405115S000000	1200/5A	10VA
XR05-415115S000000	1250/5A	10VA
XR05-425135S000000	1500/5A	15VA
XR05-435135S000000	1600/5A	15VA
XR05-445155S000000	2000/5A	30VA
XR05-465155S000000	2500/5A	30VA
XR05-485155S000000	3000/5A	30VA
XR05-515155S000000	4000/5A	30VA
XR05-525155S000000	5000/5A	30VA
XR05-535155S000000	6000/5A	30VA
XR05-545155S000000	7500/5A	30VA

Primary Ratios available from 1000A to 7500A

Cat No.	Ratio	VA at CL 1.0
XR05-395111S000000	1000/5A	10VA
XR05-405131S000000	1200/5A	15VA
XR05-415131S000000	1250/5A	15VA
XR05-425151S000000	1500/5A	30VA
XR05-435151S000000	1600/5A	30VA
XR05-445151S000000	2000/5A	30VA
XR05-465151S000000	2500/5A	45VA
XR05-485161S000000	3000/5A	45VA
XR05-515161S000000	4000/5A	45VA
XR05-525161S000000	5000/5A	45VA
XR05-535161S000000	6000/5A	45VA
XR05-545165S000000	7500/5A	45VA

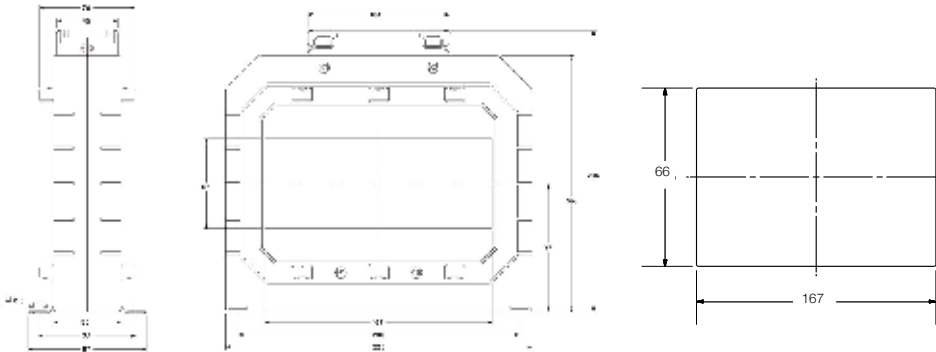
Primary Ratios available from 1000A to 7500A

LCTB 225/167



Note: Model available in Class 0.25 please refer to page 36

Dimensions



LCTB 130/100V (140mm wide x 45mm deep x (101 x 56mm) I.D.)

Cat No.	Ratio	VA at CL 0.5
XR06-335115S000000	600/5A	10VA
XR06-365115S000000	750/5A	10VA
XR06-375115S000000	800/5A	10VA
XR06-395135S000000	1000/5A	15VA
XR06-405135S000000	1200/5A	15VA
XR06-415135S000000	1250/5A	15VA
XR06-425135S000000	1500/5A	15VA
XR06-435135S000000	1600/5A	15VA
XR06-445135S000000	2000/5A	15VA
XR06-465135S000000	2500/5A	15VA
XR06-485135S000000	3000/5A	15VA
XR06-515135S000000	4000/5A	15VA

Primary Ratios available from 600A to 4000A

Cat No.	Ratio	VA at CL 1.0
XR06-335111S000000	600/5A	10VA
XR06-365111S000000	750/5A	10VA
XR06-375111S000000	800/5A	10VA
XR06-395131S000000	1000/5A	15VA
XR06-405131S000000	1200/5A	15VA
XR06-415131S000000	1250/5A	15VA
XR06-425131S000000	1500/5A	15VA
XR06-435131S000000	1600/5A	15VA
XR06-445131S000000	2000/5A	15VA
XR06-465131S000000	2500/5A	15VA
XR06-485131S000000	3000/5A	15VA
XR06-515131S000000	4000/5A	15VA

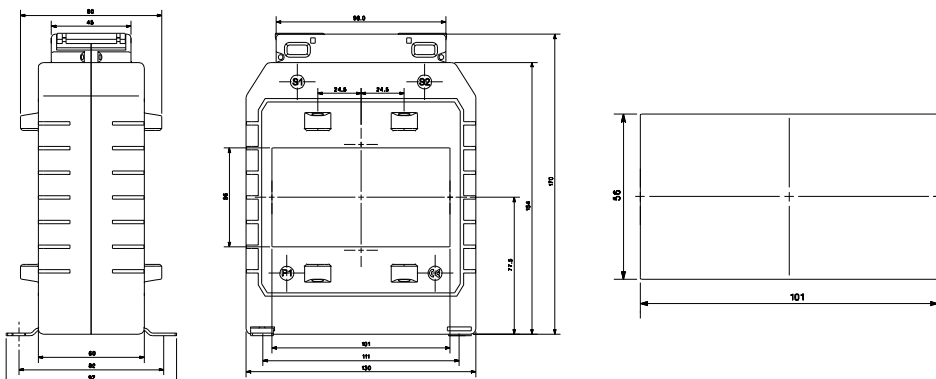
Primary Ratios available from 600A to 4000A

LCTB 130/100V



Note: Model available in Class 0.25 please refer to page 37

Dimensions



All dimensions are in mm.

NOTE: Please consult Sifam Tinsley on 1A secondary for availability.

Compact Split Core



Compact series of split core transformers current transformers offering a cost effective and efficient method by which the current can be measured without the need to break the conductor, thereby reducing installation and commissioning time. Supplied with up to 3 metres of cable for secondary current connections and with integrated shorting links.

Specifications

- Compliant with EN 60044-1 / IEC 61869-1
- Thermal nominal continuous rated current: - 1.2 x I_n
- Thermal nominal short time current: - 60 x I_n, 1 Sec.
- Maximum Operating Voltage: - 0.72 kV
- Rated Frequency: - 50 Hz or 60 Hz
- Insulation Test Voltage: - 3 kV, 1 Min.
- Insulation Class: - E
- Ambient temperature range: -20 to +65
- Storage temperature range: -30 to +70
- Ratios ranging from 60/1 to 500/5
- Suitable only for mounting on insulated primary conductor
- To be used in weather protected & dry location
- Accuracy Class of 1 & 3 *
- Optional 333mV (0.333V) AC secondary output at rated current



Locking Profile to avoid Accidental Opening

Shorting Link

* Used with Provided Cable & tighten with the torque of 2 Nm

Compact Split Core

Features

- Hinged Split Core
- Swing open for ease of installation
- Compact size
- Two options for Bus Bar Mounting
- Cable Tie provision for faster installation
- Safety Plug in shorting link
- Available with M4 Size Terminals
- Secondary cable provided with 3 Meter wire for 1A Output
- 1 Meter wire for 5A Output
- Wide range of system current ratings
- Assured Core contact with Latching Type Snap fitment
- Vibration Resistant Design
- Optional 333mV (0.333V) AC secondary output at rated current

Compact Split Core 36-18

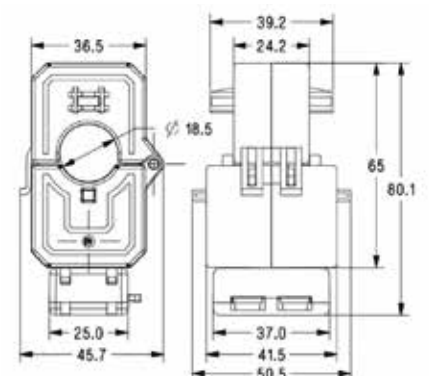


Compact Split Core Current Transformers (62mm wide x 56.2mm deep x height 110mm. ID 18.5mm)

Cat No.	Ratio	VA at CL3
XCS1-0810935S000	60/1A	0.4VA
XCS1-0211123S000	75/1A	0.5VA
XCS1-0911235S000	80/1A	0.5VA
XCS1-0310135S000	100/1A	1VA
XCS1-0410135S000	125/1A	1VA
XCS1-0510135S000	150/1A	1VA
XCS1-0950835S000	80/5A	0.2VA
XCS1-0350835S000	100/5A	0.2VA
XCS1-0451135S000	125/1A	0.3VA
XCS1-0551235S000	150/5A	0.5VA

Cat No.	Ratio	VA at CL3
XCS1-083NA35S000	60/333mV	333mV
XCS1-023NA35S000	75/333mV	333mV
XCS1-093NA35S000	80/333mV	333mV
XCS1-033NA35S000	100/333mV	333mV
XCS1-043NA35S000	125/333mV	333mV
XCS1-053NA35S000	150/333mV	333mV

Dimensions



Features given vary from product to product -for more detailed product specific info please visit our website www.sifamtinsley.co.uk

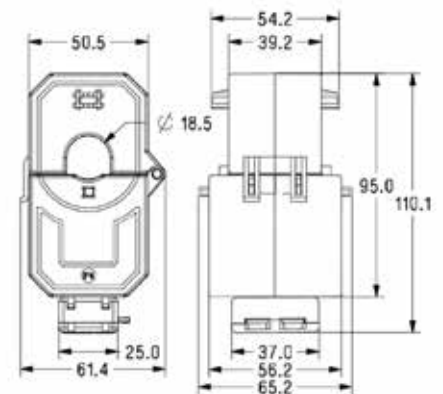
Compact Split Core Current Transformers (62mm wide x 56.2mm deep x height 110mm. ID 18.5mm)

Cat No.	Ratio	VA at CL0.5	VA at CL1	VA at CL3
XCS2-0310935S00000	100/1A	-	-	1VA
XCS2-0410935S00000	125/1A	-	-	1VA
XCS2-0510935S00000	150/1A	-	-	1VA
XCS2-1510935S00000	160/1A	-	-	1VA
XCS2-061035S000000	200/1A	-	-	1.5VA
XCS2-0710235S00000	250/1A	-	-	2VA
XCS2-0811135S00000	300/1A	-	-	3.75VA
XCS2-0310415S00000	100/1A	-	0.3VA	-
XCS2-0410815S00000	125/1A	-	0.5VA	-
XCS2-0510915S00000	150/1A	-	1VA	-
XCS2-1510915S00000	160/1A	-	1VA	-
XCS2-0610315S00000	200/1A	-	1.5VA	-
XCS2-0710215S00000	250/1A	-	2VA	-
XCS2-0811115S00000	300/1A	-	3.75VA	-
XCS2-0611055S00000	200/1A	0.2VA	-	-
XCS2-0710155S00000	250/1A	0.5VA	-	-
XCS2-0810955S00000	300/1A	1VA	-	-
XCS2-0350935S00000	100/5A	-	-	1VA
XCS2-0450935S00000	125/5A	-	-	1VA
XCS2-0550935S00000	150/5A	-	-	1VA
XCS2-1550935S00000	160/5A	-	-	1VA
XCS2-065035S000000	200/5A	-	-	1.5VA
XCS2-0750235S00000	250/5A	-	-	2VA
XCS2-0851135S00000	300/5A	-	-	3.75VA
XCS2-0350115S00000T	100/5A	-	0.5VA	-
XCS2-0450115S00000	125/5A	-	0.5VA	-
XCS2-0550915S00000	150/5A	-	1VA	-
XCS2-1550915S00000	160/5A	-	1VA	-
XCS2-0650315S00000	200/5A	-	1.5VA	-
XCS2-0750215S00000	250/5A	-	2VA	-
XCS2-085111S000000	300/5A	-	3.75VA	-
XCS2-0750155S00000	250/5A	0.5VA	-	-
XCS2-0850955S00000	300/5A	1VA	-	-
XCS2-033NA15S00000	100/333mV	-	333mV	-
XCS2-043NA15S00000	125/333mV	-	333mV	-
XCS2-053NA15S00000	150/333mV	-	333mV	-
XCS2-153NA15S00000	160/333mV	-	333mV	-
XCS2-063NA15S00000	200/333mV	-	333mV	-
XCS2-073NA15S00000	250/333mV	-	333mV	-
XCS2-083NA1S000000	300/333mV	-	333mV	-

Compact Split Core 50-18



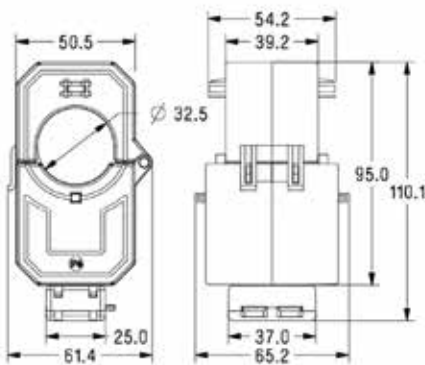
Dimensions



Compact Split Core 50-32



Dimensions



Compact Split Core Current Transformers (62mm wide x 56.2mm deep x height 110mm. ID 32.5mm)

Cat No.	Ratio	VA at CL0.5	VA at CL1	VA at CL3
XCS3-1810235S00000	100/1A	-	-	0.2VA
XCS3-2010235S00000	125/1A	-	-	0.2VA
XCS3-1710735S00000	150/1A	-	-	0.4VA
XCS3-2110735S00000	160/1A	-	-	0.4VA
XCS3-1510435S00000	200/1A	-	-	0.5VA
XCS3-0710435S00000	250/1A	-	-	0.5VA
XCS3-0810135S00000	300/1A	-	-	1.0VA
XCS3-0910335S00000	400/1A	-	-	1.5VA
XCS3-1010635S00000	500/1A	-	-	1.75VA
XCS3-1110535S00000	600/1A	-	-	2.5VA
XCS3-1510215S00000	200/1A	-	0.2VA	-
XCS3-071045S000000	250/1A	-	0.5VA	-
XCS3-0810115S00000	300/1A	-	1.0VA	-
XCS3-0910315S00000	400/1A	-	1.5VA	-
XCS3-1010615S00000	500/1A	-	1.75VA	-
XCS3-111051S000000	600/1A	-	2.5VA	-
XCS3-0910455S000000	400/1A	0.5VA	-	-
XCS3-1010155S000000	500/1A	1.0VA	-	-
XCS3-1110155S000000	600/1A	1.0VA	-	-
XCS3-1850235S00000	100/5A	-	-	0.2VA
XCS3-2050235S00000	125/5A	-	-	0.2VA
XCS3-1750735S00000	150/5A	-	-	0.4VA
XCS3-2150735S00000	160/5A	-	-	0.4VA
XCS3-1550435S00000	200/5A	-	-	0.5VA
XCS3-0750435S00000	250/5A	-	-	0.5VA
XCS3-0850135S00000	300/5A	-	-	1.0VA
XCS3-0950335S00000	400/5A	-	-	1.5VA
XCS3-1050635S00000	500/5A	-	-	1.75VA
XCS3-1150535S00000	600/5A	-	-	2.5VA
XCS3-1550215S00000	200/5A	-	0.2VA	-
XCS3-0750415S00000	250/5A	-	0.5VA	-
XCS3-0850115S00000	300/5A	-	1.0VA	-
XCS3-0950315S00000	400/5A	-	1.5VA	-
XCS3-1050615S00000	500/5A	-	1.75VA	-
XCS3-1150515S00000	600/1A	-	2.5VA	-
XCS3-0950455S000000	400/5A	0.5VA	-	-
XCS3-1050155S000000	500/5A	1.0VA	-	-
XCS3-1150155S000000	600/5A	1.0VA	-	-
XCS3-153NA35S00000	200/333mV	-	-	333mV
XCS3-073NA15S00000	250/333mV	-	333mV	-
XCS3-083NA15S00000	300/333mV	-	333mV	-
XCS3-093NA15S00000	400/333mV	-	333mV	-
XCS3-103NA15S00000	500/333mV	-	333mV	-
XCS3-113NA15S00000	600/333mV	-	333mV	-

Features given vary from product to product
 -for more detailed product specific info please
 visit our website www.sifamtinsley.co.uk

OMEGA Split Core

OMEGA 10

Omega series split core transformers offer a cost effective and efficient method by which the current can be measured without the need to break the conductor, thereby reducing installation and commissioning time.

Specifications

- Primary current 100A to 5000A
- Secondary current 1A or 5A
- System voltage 720V (0.72kV) maximum
- Test voltage 3kV for 1 minute
- System frequency 50 or 60 Hz
- Insulation class E
- Overload withstand 1.2 times rated current continuously
- Short circuit thermal 60 x rated primary for 1 second
- Operating temperature 20°C to 70°C
- Relative humidity 0-90% (non condensing)
- Compliant with EN 60044-1 / IEC 61869-1
- Accuracy Class 3, 1 & 0.5
- Rated dynamic current = 2.55 x 1ht
- Enclosure Flame retardant grade classified UL 94V-O



Features

- Compliant with EN 60044-1 / IEC 61869-1
- Flame retardant grade enclosure (UL 94V-O)
- Operation free installation
- Test voltage 3kV 50Hz 1min.
- System voltage 720V max.
- Ratio ratings from 100/5A to 5000/5A
- Available in 0.5, 1 and 3 accuracy class
- Insulation class: E
- UL approved

OMEGA 10

Technical Information (Ref: IEC 61869-2)

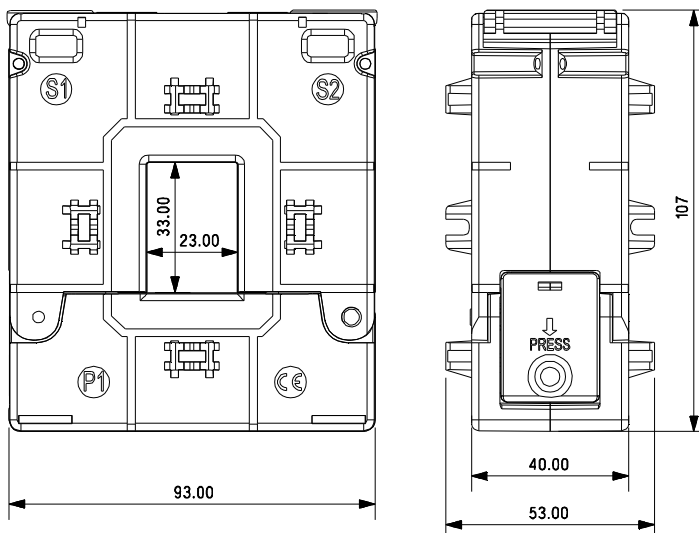
Limits of Current Errors and Phase Displacements for Measuring Current Transformers (Classes from 0.1 to 1)												
Accuracy Class	± Percentage Current (ratio) Error at Percentage of Rated Current shown below				± Phase Displacements at Percentage of Rated Current							
					Minutes				Centiradius			
	5	20	100	120	5	20	100	120	5	20	100	120
0.2	0.75	0.35	0.20	0.20	30	15	10	10	0.90	0.45	0.30	0.30
0.5	1.50	0.75	0.50	0.50	90	45	30	30	2.70	1.35	0.90	0.90
1.0	3.00	1.50	1.00	1.00	180	90	60	60	5.40	2.70	1.80	1.80

OMEGA 10A (93mm wide x 40mm deep x (33mm x 23mm) I.D.)

Cat No.	Ratio	VA at CL 1.0	Cat No.	Ratio	VA at CL 1.0
XS01-185031S000000	100/5A	1.5VA	XS01-275071S000000	250/5A	3.75VA
XS01-225221S000000	150/5A	1.75VA	XS01-285081S000000	300/5A	5VA
XS01-245051S000000	200/5A	2.5VA	XS01-315091S000000	400/5A	6.25VA

Note Class 0.5 possible on ratio's 300 and 400 amps

Dimensions



OMEGA 10A



OMEGA 10B

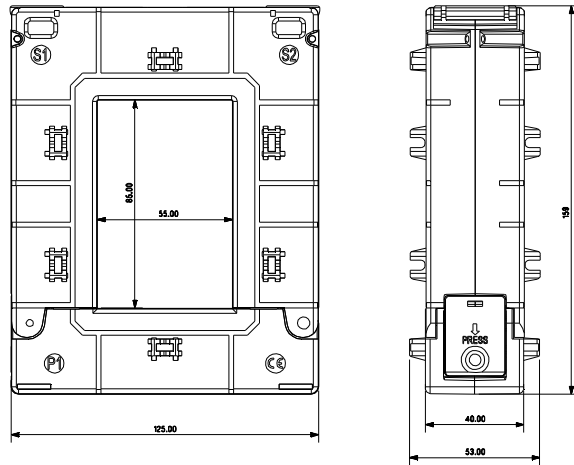


OMEGA 10B (125mm wide x 40mm deep x (50mm x 80mm) I.D.)

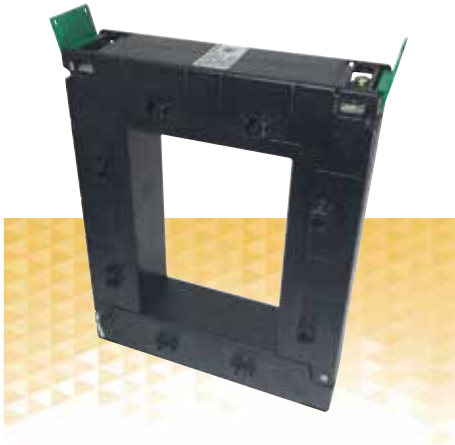
Cat No.	Ratio	VA at CL 0.5
XS02-275015S000000	250/5A	1VA
XS02-285055S000000	300/5A	2.5VA
XS02-315055S000000	400/5A	2.5VA
XS02-325075S000000	500/5A	3.75VA
XS02-335085S000000	600/5A	5VA
XS02-375105S000000	800/5A	7.5VA
XS02-395115S000000	1000/5A	10VA
XS02-405115S000000	1200/5A	10VA
XS02-415115S000000	1250/5A	10VA
XS02-425115S000000	1500/5A	10VA
XS02-435115S000000	1600/5A	10VA
XS02-445115S000000	2000/5A	10VA

Cat No.	Ratio	VA at CL 1.0
XS02-275051S000000	250/5A	2.5VA
XS02-285071S000000	300/5A	3.75VA
XS02-315071S000000	400/5A	3.75VA
XS02-325081S000000	500/5A	5VA
XS02-335101S000000	600/5A	7.5VA
XS02-375111S000000	800/5A	10VA
XS02-395131S000000	1000/5A	15VA
XS02-405131S000000	1200/5A	15VA
XS02-415131S000000	1250/5A	15VA
XS02-425131S000000	1500/5A	15VA
XS02-435131S000000	1600/5A	15VA
XS02-445131S000000	2000/5A	15VA

Dimensions



OMEGA 10C

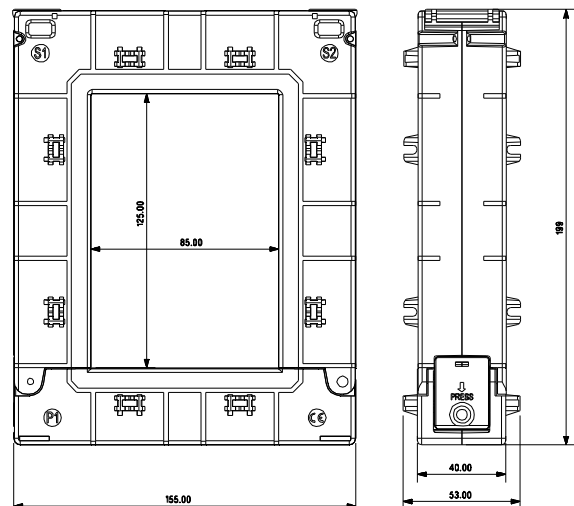


OMEGA 10C (155mm wide x 40mm deep x (120mm x 80mm) I.D.)

Cat No.	Ratio	VA at CL 0.5
XS03-335085S000000	600/5A	5VA
XS03-375105S000000	800/5A	7.5VA
XS03-395115S000000	1000/5A	10VA
XS03-405135S000000	1200/5A	15VA
XS03-415135S000000	1250/5A	15VA
XS03-425145S000000	1500/5A	20VA
XS03-435145S000000	1600/5A	20VA
XS03-445145S000000	2000/5A	20VA
XS03-465205S000000	2500/5A	25VA
XS03-485155S000000	3000/5A	30VA

Cat No.	Ratio	VA at CL 1.0
XS03-335105S000000	600/5A	7.5VA
XS03-375111S000000	800/5A	10VA
XS03-395131S000000	1000/5A	15VA
XS03-405151S000000	1200/5A	30VA
XS03-415151S000000	1250/5A	30VA
XS03-425161S000000	1500/5A	45VA
XS03-435161S000000	1600/5A	45VA
XS03-445161S000000	2000/5A	45VA
XS03-465161S000000	2500/5A	45VA
XS03-485161S000000	3000/5A	45VA

Dimensions



All dimensions are in mm

Features given vary from product to product
 -for more detailed product specific info please
 visit our website www.sifamtinsley.co.uk

OMEGA 10D (195mm wide x 64mm deep x (80mm x 160mm) I.D.)

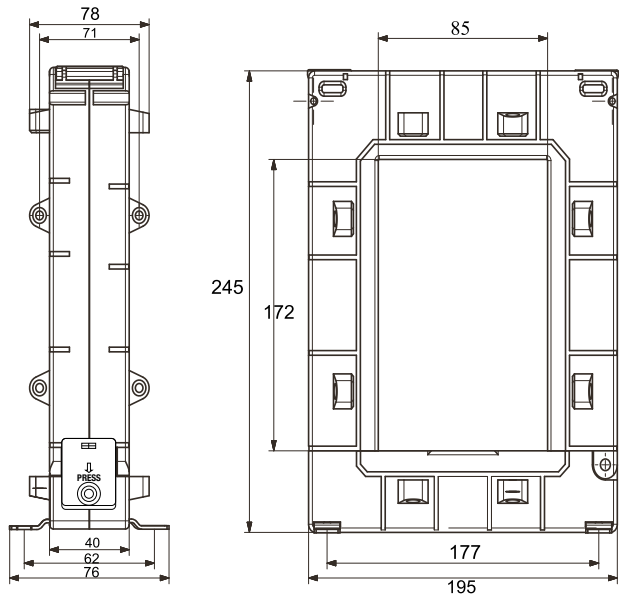
Cat No.	Ratio	VA at CL 0.5
XS04-395115S000000	1000/5A	10VA
XS04-405135S000000	1200/5A	15VA
XS04-415135S000000	1250/5A	15VA
XS04-425145S000000	1500/5A	20VA
XS04-435145S000000	1600/5A	20VA
XS04-445205S000000	2000/5A	25VA
XS04-465205S000000	2500/5A	25VA
XS04-485155S000000	3000/5A	30VA
XS04-515155S000000	4000/5A	30VA
XS04-525155S000000	5000/5A	30VA

Cat No.	Ratio	VA at CL 1.0
XS04-395141S000000	1000/5A	20VA
XS04-405141S000000	1200/5A	20VA
XS04-415141S000000	1250/5A	20VA
XS04-425151S000000	1500/5A	30VA
XS04-435151S000000	1600/5A	30VA
XS04-445151S000000	2000/5A	30VA
XS04-465151S000000	2500/5A	30VA
XS04-485161S000000	3000/5A	45VA
XS04-515161S000000	4000/5A	45VA
XS04-525161S000000	5000/5A	45VA

OMEGA 10D



Dimensions



OMEGA 10E

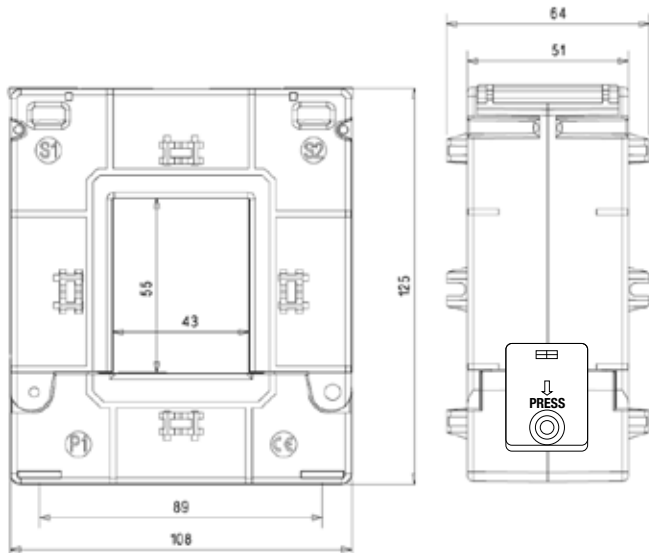


OMEGA 10E (105mm wide x 50mm deep x (55mm x 43mm) I.D.)

Cat No.	Ratio	VA at CL 0.5
XS05-245035S000000	200/5A	1.5VA
XS05-275055S000000	250/5A	2.5VA
XS05-285055S000000	300/5A	2.5VA
XS05-315085S000000	400/5A	5.0VA
XS05-325085S000000	500/5A	5.0VA
XS05-335095S000000	600/5A	6.25VA
XS05-375105S000000	800/5A	7.5VA

Cat No.	Ratio	VA at CL 1.0
XS05-245071S000000	200/5A	3.75VA
XS05-275081S000000	250/5A	5VA
XS05-285081S000000	300/5A	5VA
XS05-315101S000000	400/5A	7.5VA
XS05-325101S000000	500/5A	7.5VA
XS05-335111S000000	600/5A	10VA
XS05-375121S000000	800/5A	12.5VA

Dimensions



OMEGA Split Core with Class 0.5S accuracy



OMEGA 10

Omega series split core transformers offer a cost effective and efficient method by which the current can be measured without the need to break the conductor, thereby reducing installation and commissioning time. These high accuracy 0.5S versions means that the measurement has an error rate of 0.5% over a range of 20 to 120% of the nominal current (I_n) and at a specific accuracy above 1% of I_n (as per table given below)

Specifications

- Primary current 400A-4000A
- Secondary current 1 A or 5A
- System voltage 720V (0. 72kV) maximum
- Test voltage 3kV for 1 minute
- System frequency 50 or 60 Hz
- Insulation class E
- Overload withstand 1.2 times rated current continuously
- Short circuit thermal 60 x rated primary for 1 second
- Operating temperature 20°C to 70°C
- Relative humidity 0-90% (non condensing)
- Compliant with EN 60044-1 / IEC 61869-1 Accuracy Class 0.5S
- Rated dynamic current = 2.55 x 1 ht
- Enclosure Flame retardant grade classified UL 94V-O



OMEGA 10

Features

- Compliant with EN 60044-1 / IEC 61869-1 Accuracy Class 0.5S
- Flame retardant grade enclosure (UL 94V-O)
- Operation free installation
- Test voltage 3kV 50Hz 1 min.
- System voltage 720V max.
- Ratio ratings from 100/5A to 4000/5A
- Available in 0.5, 1 and 3 accuracy class
- Insulation class: E
- UL approved
- High measuring accuracy
- The very high 0.5S accuracy class guarantees maximum metering, even with low loads.
- A 0.5S accuracy class means that the measurement has an error rate of 0.5% over a range of 20 to 120% of the nominal current (I_n) and at a specific accuracy above 1% of I_n .

Technical Information (Ref: IEC 61869-2)

Limits of Current Errors and Phase Displacements for Measuring Current Transformers (for Special Applications)															
Accuracy Class	± Percentage Current (ratio) Error at Percentage of Rated Current shown below					± Phase Displacements at Percentage of Rated Current									
						Minutes					Centiradians				
	1	5	20	100	120	1	5	20	100	120	1	5	20	100	120
0.25	0.75	0.35	0.20	0.20	0.20	30	15	10	10	10	0.90	0.45	0.30	0.30	0.30
0.55	1.50	0.75	0.50	0.50	0.50	90	45	30	30	30	2.70	1.35	0.90	0.90	0.90

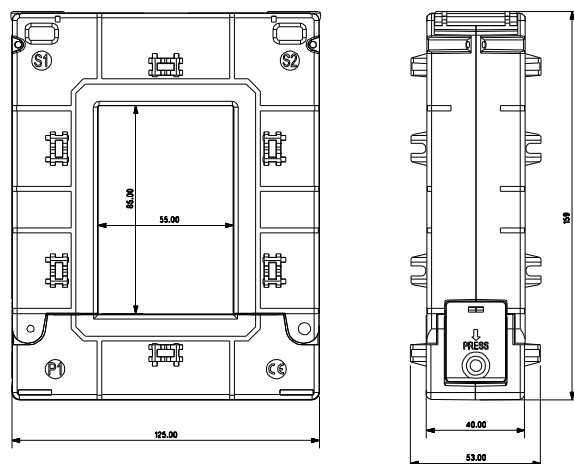
OMEGA 10B



OMEGA 108 (125mm wide x 40mm deep x (50mm x 80mm) I.D.)

Cat No.	Ratio	VA at CL 0.5S	Cat No.	Ratio	VA at CL 0.5S
XS02-315036S000000	400/5A	1.5VA	XS02-395086S000000	1000/5A	5VA
XS02-335056S000000	600/5A	2.5VA	XS02-405086S000000	1200/5A	5VA
XS02-375076S000000	800/5A	3.75VA	XS02-435096S000000	1600/5A	6.25VA

Dimensions

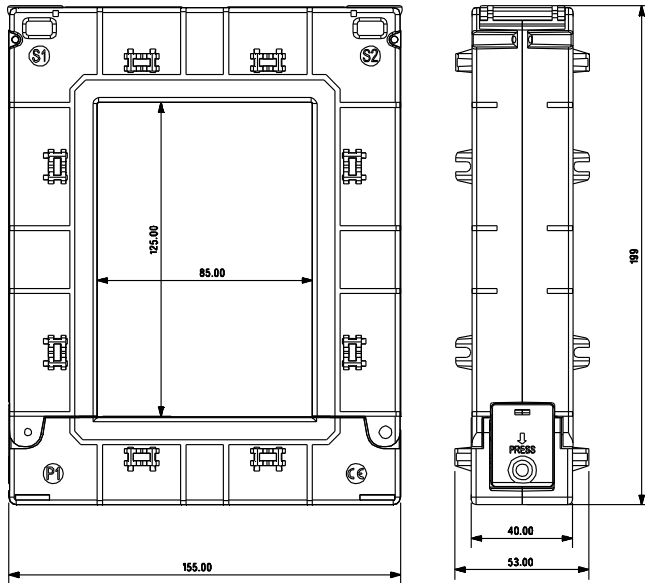


Visit our website www.sifamtinsley.co.uk

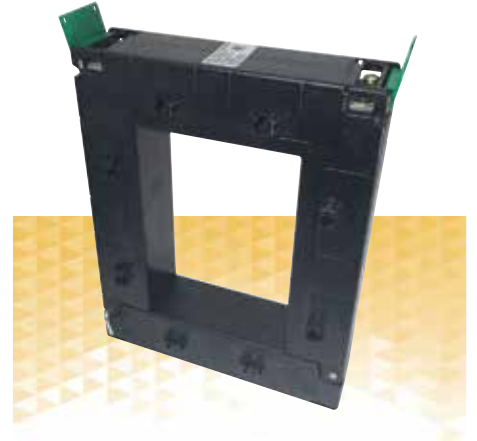
OMEGA 1 QC (155mm wide x 40mm deep x (120mm x 80mm) I.D.)

Cat No.	Ratio	VA at CL 0.5S	Cat No.	Ratio	VA at CL 0.5S
XS03-395086S000000	1000/5A	5VA	XS03-445106S000000	2000/5A	7.5VA
XS03-405086S000000	1200/5A	5VA	XS03-465106S000000	2500/5A	7.5VA
XS03-435106S000000	1600/5A	7.5VA	XS03-485106S000000	3000/5A	7.55VA

Dimensions



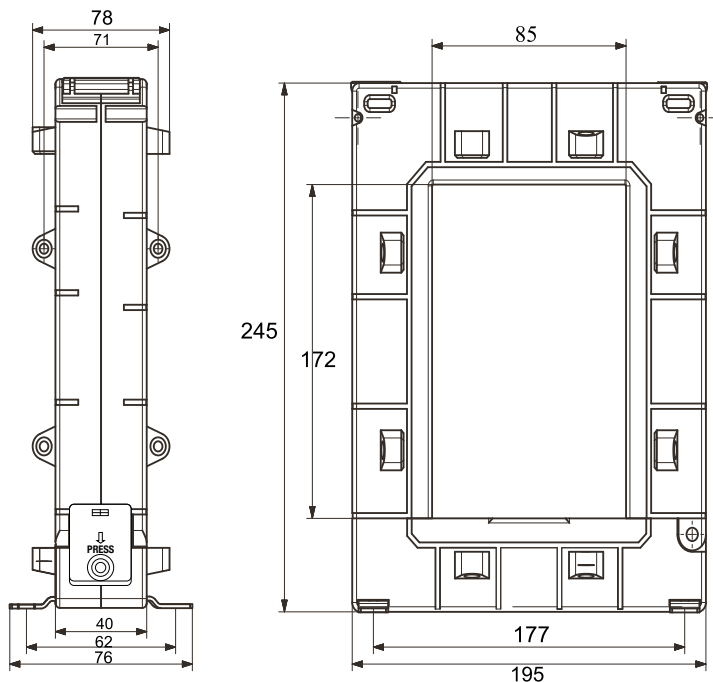
OMEGA 10C



OMEGA 1 OD (195mm wide x 64mm deep x (80mm x 160mm) I.D.)

Cat No.	Ratio	VA at CL 0.5S	Cat No.	Ratio	VA at CL 0.5S
XS04-445116S000000	2000/5A	10VA	XS04-515086S000000	4000/5A	5VA
XS04-485126S000000	3000/5A	12.5VA			

Dimensions



OMEGA 10D



XMER Moulded Case Range - Class 0.2S



XMER - Class 0.2S

XMER CT's are square type and encapsulated with UL94V-0 approved polycarbonate. These metering CT's feature sealable terminal covers and a wide range of primary current ratings with a high accuracy class suitable for tariff metering applications. Available in various, Bus bar sizes, case widths, and mounting options.

Specifications

- Primary current 80A to 7500A
- Secondary current 1A or 5A
- Accuracy class 0.2s
- Over current limiting factor FS5, FS10, FS15
- Rated frequency 50Hz or 60Hz
- Rated continuous thermal current (standard) 1,2 x in
- Rated short time thermal current with 60 x in, 1 s (Max 40kA)
- Rated isolation level 0.72/3 kV or 0.72/4 kV
- Place of insulation Indoor
- Altitude up to 2000 m
- Degree of protection IP20
- Degree of pollution 2
- Ambient temperature -5°C to + 55°C (0-95% relative humidity, non condensing!)
- Storage temperature -25°C to + 70°C
- Applied standards IEC 60044-1 / IEC 61869-1 : Performance, IEC - 61010 - 2 : Safety.



Features

- Comprehensive class accuracy
- Cost effective moulded case current transformer
- Various mounting options including wall mounting, cable mounting, bus bar mounting and DIN rail mounting
- 0.2s accuracy class
- Wire sealable terminal covers
- Suitable for tariff metering

LCTB 62/20



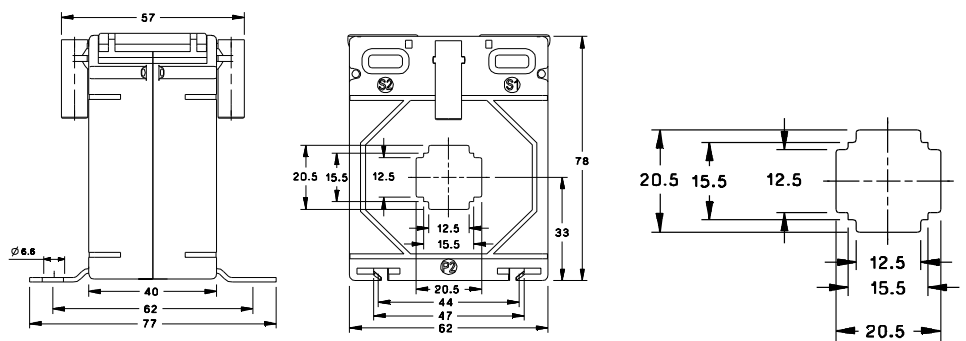
LCTB 62/20 (62mm Wide x 40mm deep x (20.5x20.5mm) I.D.)

Cat No.	Ratio	VA at 0.2S
XM10-185034S000000	100/5A	1.5VA
XM10-205034S000000	125/5A	1.5VA
XM10-225044S000000	150/5A	2.0VA
XM10-245074S000000	200/5A	3.75VA

Cat No.	Ratio	VA at 0.2S
XM10-275074S000000	250/5A	3.75VA
XM10-285074S000000	300/5A	3.75VA
XM10-315084S000000	400/5A	5VA

Primary Ratios available from 100A to 400A

Dimensions

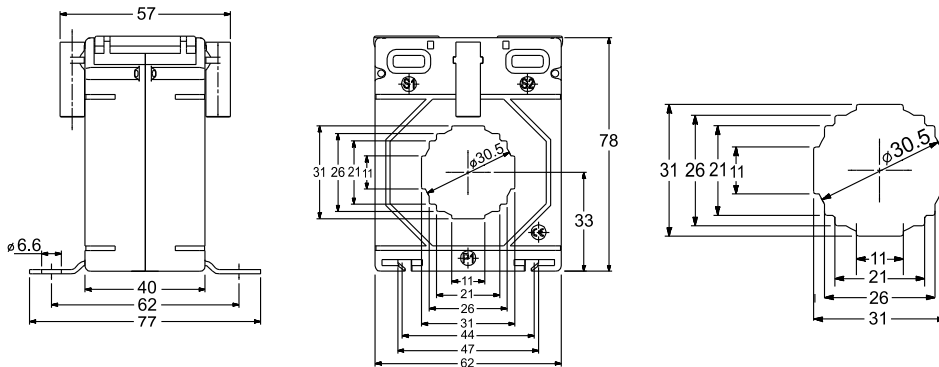


Features given vary from product to product
-for more detailed product specific info please
visit our website www.sifamtinsley.co.uk

LCTB 62/30 (62mm Wide x 40mm deep x (30 x 11mm) I.D.)

Cat No.	Ratio	VA at 0.2S	Cat No.	Ratio	VA at 0.2S
XM11-185014S000000	100/5A	1VA	XM11-285054S000000	300/5A	2.5VA
XM11-205014S000000	125/5A	1VA	XM11-315074S000000	400/5A	3.75VA
XM11-225034S000000	150/5A	1.5VA	XM11-325084S000000	500/5A	5VA
XM11-245054S000000	200/5A	2.5VA	XM11-335084S000000	600/5A	5VA
XM11-275054S000000	250/5A	2.5VA	Primary Ratios available from 100A to 800A		

Dimensions



LCTB 62/30

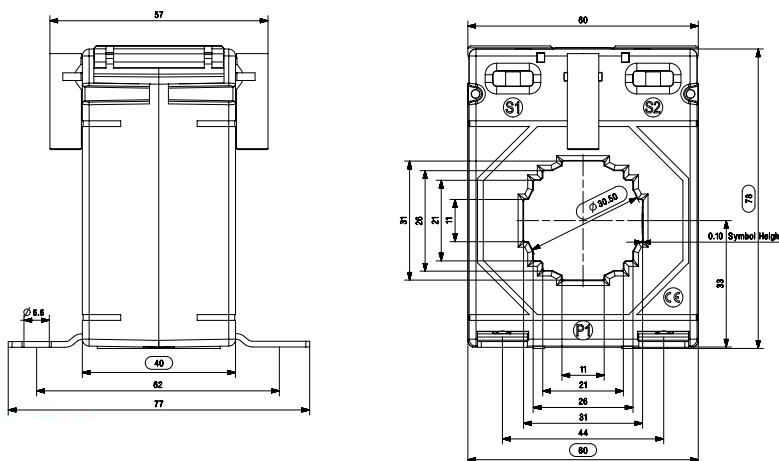


LCTB - 60/30 (40)

(60mm wide x 40mm deep x height 78mm, 30.5mm I.D.)

Cat No.	Ratio	VA at CL 0.2S	Cat No.	Ratio	VA at CL 0.2S
XM28-185014S000000G	100/5A	1VA	XM28-285084S000000G	300/5A	5VA
XM28-205014S000000G	125/5A	1VA	XM28-315084S000000G	400/5A	5VA
XM28-225194S000000G	150/5A	1.75VA	XM28-325084S000000G	500/5A	5VA
XM28-245074S000000G	200/5A	3.75VA	XM28-335114S000000G	600/5A	10VA
XM28-275084S000000G	250/5A	5VA	XM28-365114S000000G	750/5A	10VA

Dimensions



LCTB - 60/30 (40)



LCTB 62/30 (50)



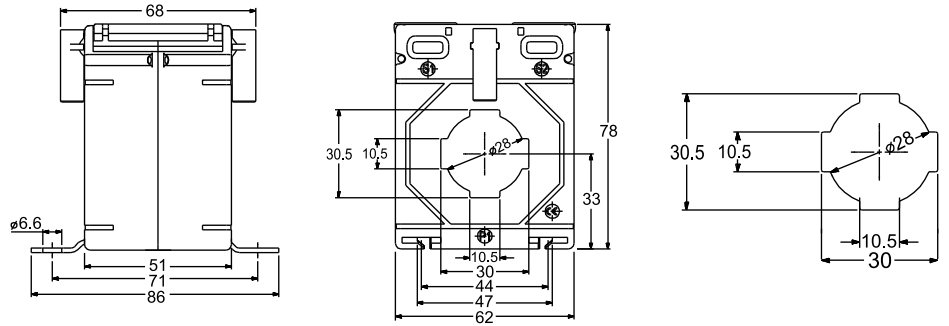
LCTB 62/30 (50) (62mm wide x 50mm deep x (30 x 11mm) I.D.)

Cat No.	Ratio	VA at 0.2S
XM12-185034S000000	100/5A	1.25VA
XM12-205034S000000	125/5A	1.25VA
XM12-225044S000000	150/5A	2VA
XM12-245064S000000	200/5A	3VA
XM12-275064S000000	250/5A	3VA
XM12-285064S000000	300/5A	3VA

Cat No.	Ratio	VA at 0.2S
XM12-315084S000000	400/5A	5VA
XM12-325084S000000	500/5A	5VA
XM12-335094S000000	600/5A	6.25VA
XM12-365094S000000	750/5A	6.25VA
XM12-375094S000000	800/5A	6.25VA

Primary Ratios available from 100A to 800A

Dimensions



LCTB 74/20



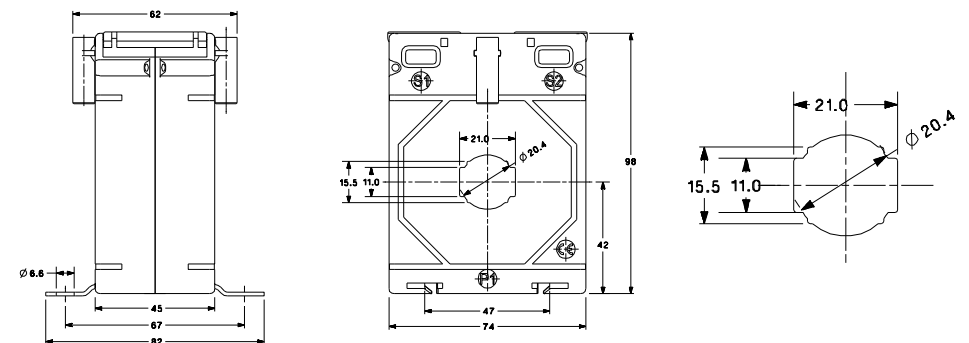
LCTB 74/20 (74mm wide x 45mm deep x (20.4mm) I.D.)

Cat No.	Ratio	VA at 0.2S
XM14-185085S000000	100/5A	5VA
XM14-205085S000000	125/5A	5VA
XM14-225105S000000	150/5A	7.5VA
XM14-245115S000000	200/5A	10VA

Cat No.	Ratio	VA at 0.2S
XM14-275115S000000	250/5A	10VA
XM14-285135S000000	300/5A	15VA
XM14-315135S000000	400/5A	15VA

Primary Ratios available from 80A to 400A

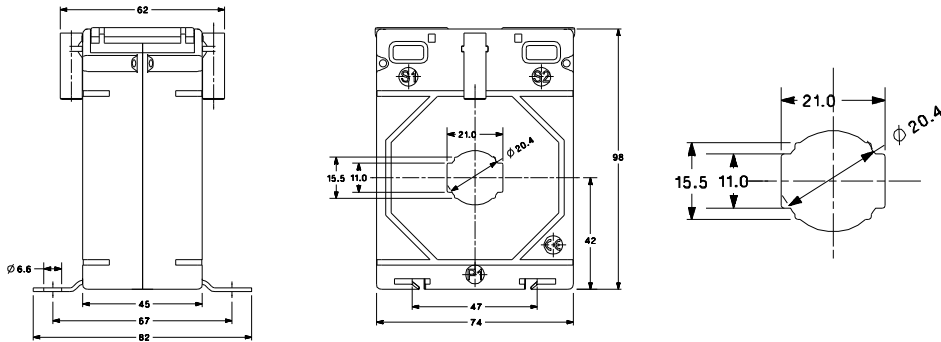
Dimensions



LCTB 74/20 (74mm wide x 45mm deep x (20.4mm) I.D.)

Cat No.	Ratio	VA at 0.2S	Cat No.	Ratio	VA at 0.2S
XM14-185085S000000	100/5A	5VA	XM14-275115S000000	250/5A	10VA
XM14-205085S000000	125/5A	5VA	XM14-285135S000000	300/5A	15VA
XM14-225105S000000	150/5A	7.5VA	XM14-315135S000000	400/5A	15VA
XM14-245115S000000	200/5A	10VA	Primary Ratios available from 80A to 400A		

Dimensions



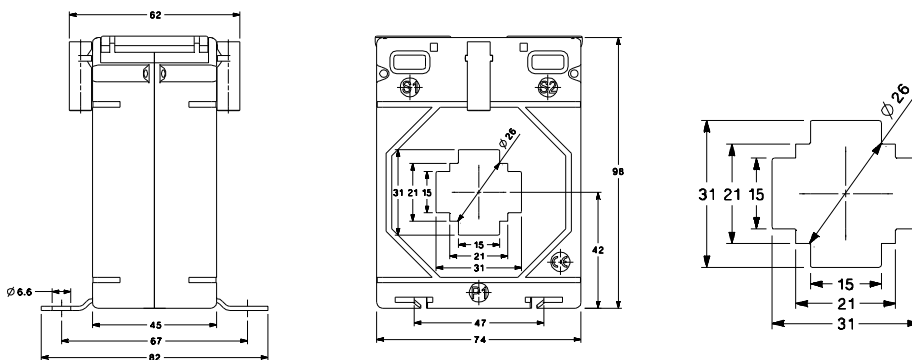
LCTB 74/20



LCTB 74/30 (74mm wide x 45mm deep x (31x31mm) I.D.)

Cat No.	Ratio	VA at 0.2S	Cat No.	Ratio	VA at 0.2S
XM15-185034S000000	100/5A	1.5VA	XM15-315084S000000	400/5A	5VA
XM15-205034S000000	125/5A	1.5VA	XM15-325084S000000	500/5A	5VA
XM15-225034S000000	150/5A	1.5VA	XM15-335084S000000	600/5A	5VA
XM15-245054S000000	200/5A	2.5VA	XM15-365104S000000	750/5A	7.5VA
XM15-275054S000000	250/5A	2.5VA	XM15-375114S000000	800/5A	10VA
XM15-285054S000000	300/5A	2.5VA	Primary Ratios available from 80A to 800A		

Dimensions



LCTB 74/30



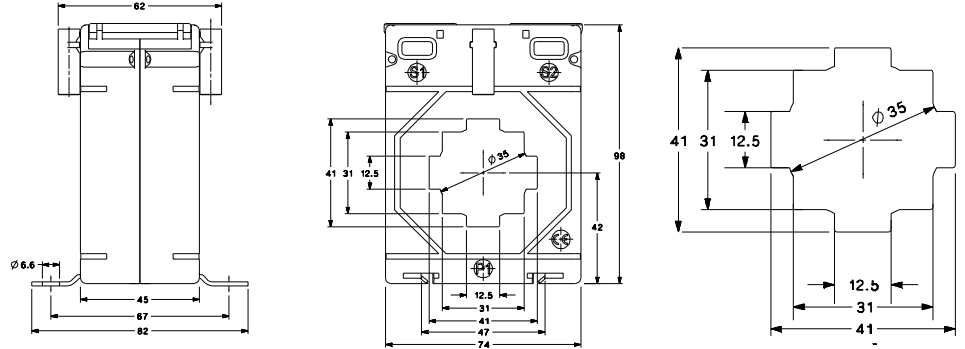
LCTB 74/40



LCTB 74/40 ((74mm wide x 45mm deep x (41x41mm) I.D.))

Cat No.	Ratio	VA at 0.2S	Cat No.	Ratio	VA at 0.2S
XM16-245054S000000	200/5A	2.5VA	XM16-335084S000000	600/5A	5VA
XM16-275054S000000	250/5A	2.5VA	XM16-365084S000000	750/5A	5VA
XM16-285054S000000	300/5A	2.5VA	XM16-375104S000000	800/5A	7.5VA
XM16-315084S000000	400/5A	5VA	XM16-395114S000000	1000/5A	10VA
XM16-325084S000000	500/5A	5VA	Primary Ratios available from 200A to 1000A		

Dimensions



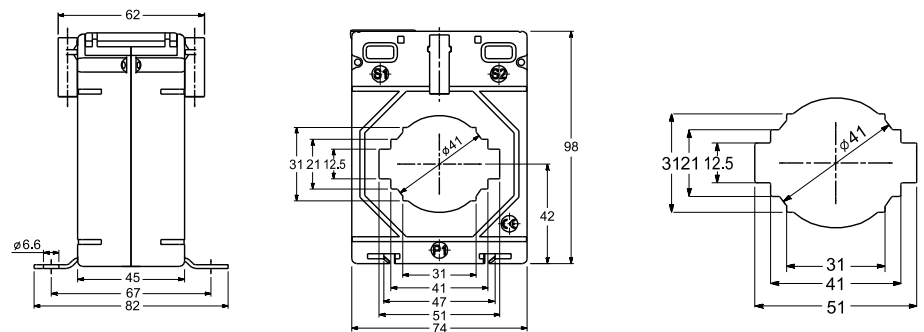
LCTB 74/50



LCTB 74/50 ((74mm wide x 45mm deep x (50 x 12mm) I.D.))

Cat No.	Ratio	VA at 0.2S	Cat No.	Ratio	VA at 0.2S
XM17-275034S000000	250/5A	1.5VA	XM17-365084S000000	750/5A	5VA
XM17-285034S000000	300/5A	1.5VA	XM17-375084S000000	800/5A	5VA
XM17-315054S000000	400/5A	2.5VA	XM17-395084S000000	1000/5A	5VA
XM17-325084S000000	500/5A	5VA	Primary Ratios available from 250A to 1000A		
XM17-335084S000000	600/5A	5VA			

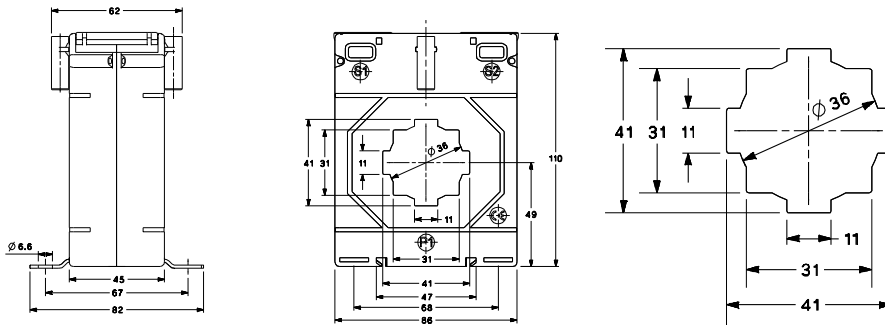
Dimensions



LCTB 86/40 (86mm wide x 45mm deep x (41 x 41mm) I.D.)

Cat No.	Ratio	VA at 0.2S	Cat No.	Ratio	VA at 0.2S
XM18-185034S000000	100/5A	1.5VA	XM18-325084S000000	500/5A	5VA
XM18-205034S000000	125/5A	1.5VA	XM18-335104S000000	600/5A	7.5VA
XM18-225054S000000	150/5A	2.5VA	XM18-365104S000000	750/5A	7.5VA
XM18-245054S000000	200/5A	2.5VA	XM18-375114S000000	800/5A	10VA
XM18-275074S000000	250/5A	3.75VA	XM18-395114S000000	1000/5A	10VA
XM18-285074S000000	300/5A	3.75VA	Primary Ratios available from 100A to 1000A		
XM18-315074S000000	400/5A	3.75VA			

Dimensions



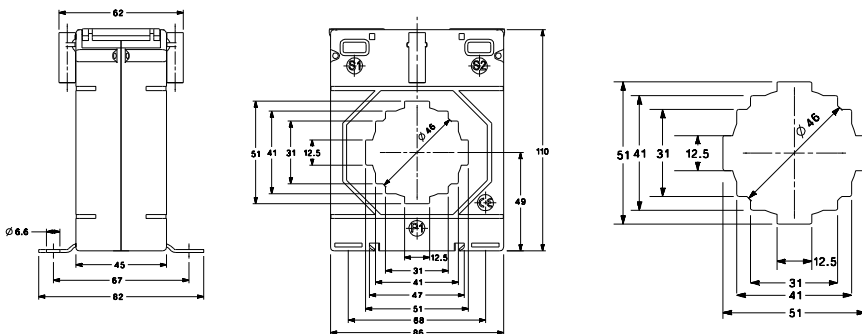
LCTB 86/40



LCTB 86/50 (86mm wide x 45mm deep x (51 x 51mm) I.D.)

Cat No.	Ratio	VA at 0.2S	Cat No.	Ratio	VA at 0.2S
XM19-285034S000000	300/5A	1.5VA	TXM19-375114S000000	800/5A	10VA
XM19-315054S000000	400/5A	2.5VA	XM19-395124S000000	1000/5A	12.5VA
XM19-325054S000000	500/5A	2.5VA	XM19-405124S000000	1200/5A	12.5VA
XM19-335084S000000	600/5A	5VA	XM19-415124S000000	1250/5A	12.5VA
XM19-365104S000000	750/5A	7.5VA	Primary Ratios available from 300A to 1250A		

Dimensions



LCTB 86/50



LCTB 86/60



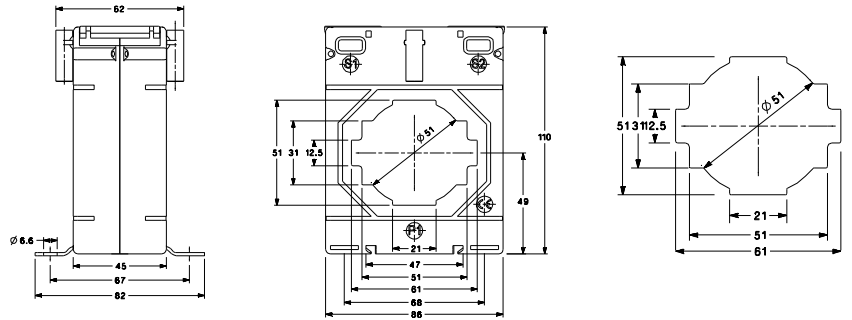
LCTB 86/60 (86mm wide x 45mm deep x (61 x 51mm) I.D.)

Cat No.	Ratio	VA at 0.2S
XM20-285034S000000	300/5A	1.5VA
XM20-315054S000000	400/5A	2.5VA
XM20-325054S000000	500/5A	2.5VA
XM20-335084S000000	600/5A	5VA
XM20-365084S000000	750/5A	5VA
XM20-375104S000000	800/5A	7.5VA

Cat No.	Ratio	VA at 0.2S
XM20-395114S000000	1000/5A	10VA
XM20-405114S000000	1200/5A	10VA
XM20-415114S000000	1250/5A	10VA
XM20-425114S000000	1500/5A	10VA
XM20-435114S000000	1600/5A	10VA

Primary Ratios available from 300A to 1600A

Dimensions



LCTB 104/60



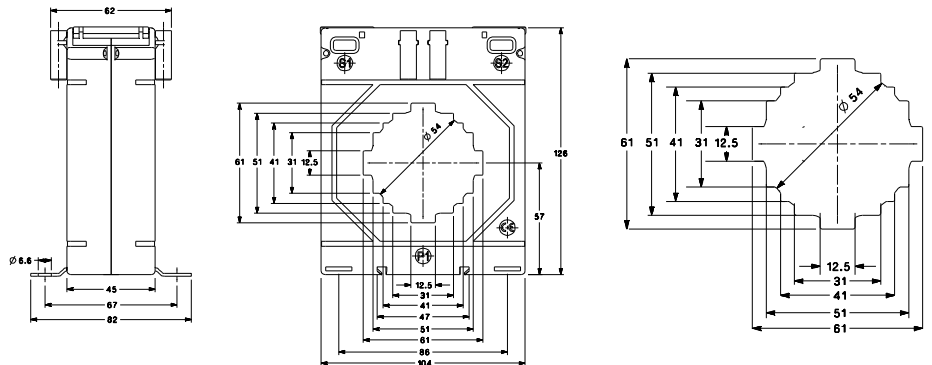
LCTB 104/60 (104mm wide x 45mm deep x (60 x 12mm) I.D.)

Cat No.	Ratio	VA at 0.2S
XM21-285034S000000	300/5A	1.5VA
XM21-315054S000000	400/5A	2.5VA
XM21-325074S000000	500/5A	3.75VA
XM21-335084S000000	600/5A	5VA
XM21-365084S000000	750/5A	5VA
XM21-375104S000000	800/5A	7.5VA

Cat No.	Ratio	VA at 0.2S
XM21-395114S000000	1000/5A	10VA
XM21-405114S000000	1200/5A	10VA
XM21-415114S000000	1250/5A	10VA
XM21-425114S000000	1500/5A	10VA
XM21-365114S000000	1600/5A	10VA

Primary Ratios available from 300A to 1600A

Dimensions

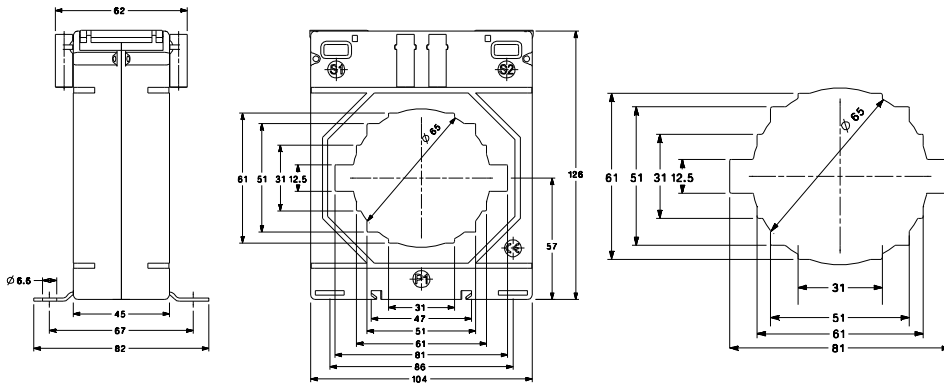


Features given vary from product to product
 -for more detailed product specific info please
 visit our website www.sifamtinsley.co.uk

LCTB 104/80 (104mm wide x 45mm deep x (80 x 12mm) I.D.)

Cat No.	Ratio	VA at 0.2S	Cat No.	Ratio	VA at 0.2S
XM22-365084S000000	750/5A	5VA	XM22-425114S000000	1500/5A	10VA
XM22-375084S000000	800/5A	5VA	XM22-435114S000000	1600/5A	10VA
XM22-395104S000000	1000/5A	7.5VA	XM22-445114S000000	2000/5A	10VA
XM22-405114S000000	1200/5A	10VA	Primary Ratios available from 750A to 2000A		
XM22-415114S000000	1250/5A	10VA			

Dimensions



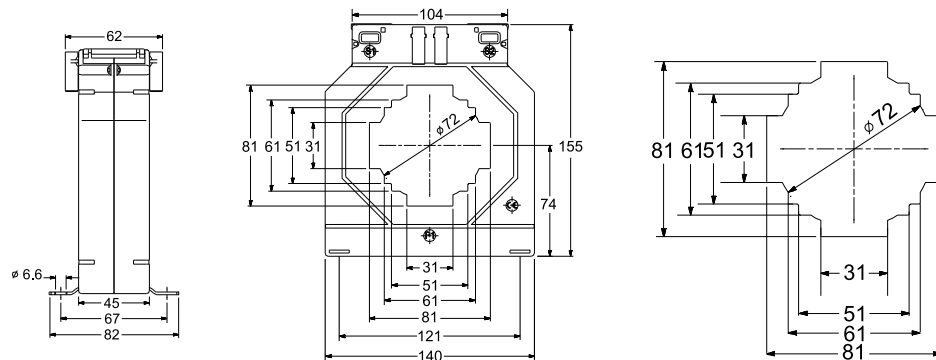
LCTB 104/80



LCTB 140/80 (140mm wide x 45mm deep x (80mm x 30mm) I.D.)

Cat No.	Ratio	VA at 0.2S	Cat No.	Ratio	VA at 0.2S
XM23-325054S000000	500/5A	2.5VA	XM23-415124S000000	1250/5A	12.5VA
XM23-335074S000000	600/5A	3.75VA	XM23-425134S000000	1500/5A	15VA
XM23-365084S000000	750/5A	5VA	XM23-435134S000000	1600/5A	15VA
XM23-375084S000000	800/5A	5VA	XM23-445134S000000	2000/5A	15VA
XM23-395114S000000	1000/5A	10VA	Primary Ratios available from 500A to 2000A		
XM23-405124S000000	1200/5A	12.5VA			

Dimensions



LCTB 140/80



LCTB 140/100H



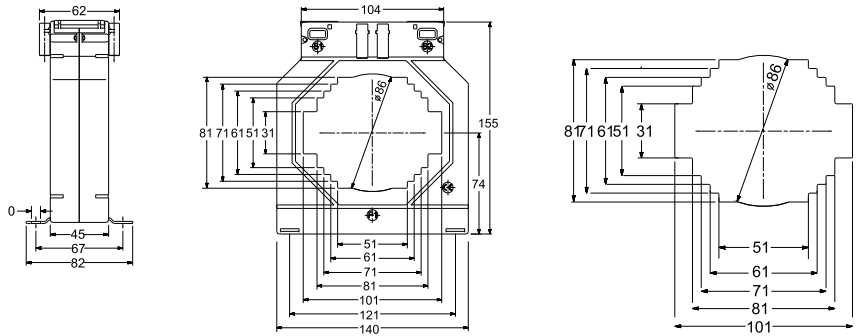
LCTB 140/100H (140mm wide x 45mm deep x (100 x 30mm) I.D.)

Cat No.	Ratio	VA at 0.2S
XM24-335054S000000	600/5A	2.5VA
XM24-365084S000000	750/5A	5VA
XM24-375084S000000	800/5A	5VA
XM24-395084S000000	1000/5A	5VA
XM24-405114S000000	1200/5A	10VA
XM24-415114S000000	1250/5A	10VA
XM24-425134S000000	1500/5A	15VA

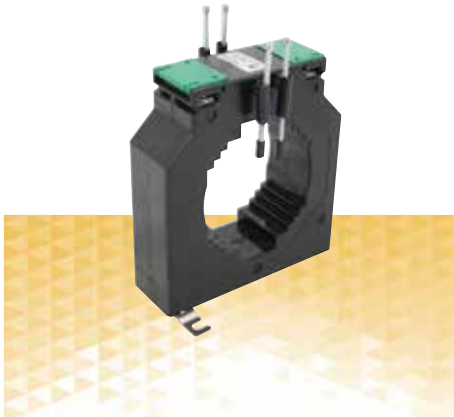
Cat No.	Ratio	VA at 0.2S
XM24-435134S000000	1600/5A	15VA
XM24-445134S000000	2000/5A	15VA
XM24-466134S000000	2500/5A	15VA
XM24-485134S000000	3000/5A	15VA
XM24-515134S000000	4000/5A	15VA

Primary Ratios available from 600A to 4000A

Dimensions



LCTB 140/100V



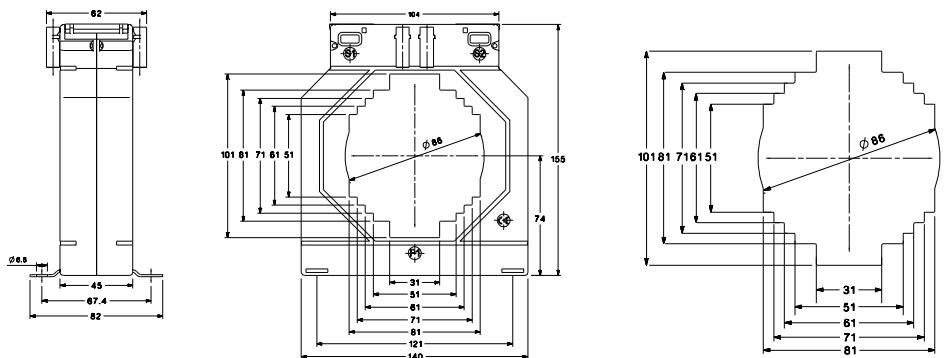
LCTB 140/100V (140mm wide x 45mm deep x (81 x 101mm) I.D.)

Cat No.	Ratio	VA at 0.2S
XM25-335054S000000	600/5A	2.5VA
XM25-365084S000000	750/5A	5VA
XM25-375084S000000	800/5A	5VA
XM25-395084S000000	1000/5A	5VA
XM25-405114S000000	1200/5A	10VA
XM25-415114S000000	1250/5A	10VA

Cat No.	Ratio	VA at 0.2S
XM25-425134S000000	1500/5A	15VA
XM25-435134S000000	1600/5A	15VA
XM25-445134S000000	2000/5A	15VA
XM25-466134S000000	2500/5A	15VA
XM25-485134S000000	3000/5A	15VA

Primary Ratios available from 200A to 3000A

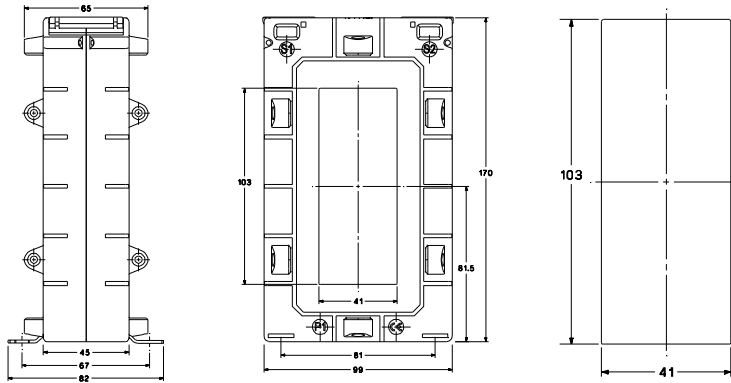
Dimensions



LCTB 100/100V (140mm wide x 45mm deep x (41 x 103mm) I.D.)

Cat No.	Ratio	VA at 0.2S	Cat No.	Ratio	VA at 0.2S
XR01-405084S000000	1200/5A	5VA	XR01-445104S000000	2000/5A	7.5VA
XR01-415084S000000	1250/5A	5VA	XR01-466114S000000	2500/5A	10VA
XR01-425084S000000	1500/5A	5VA	XR01-465114S000000	2500/5A	10VA
XR01-435104S000000	1600/5A	7.5VA	Primary Ratios available from 1200A to 2500A		

Dimensions



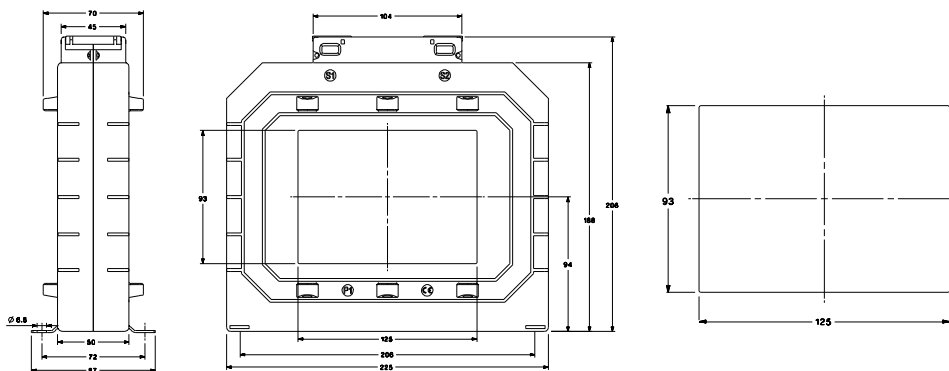
LCTB 100/100V



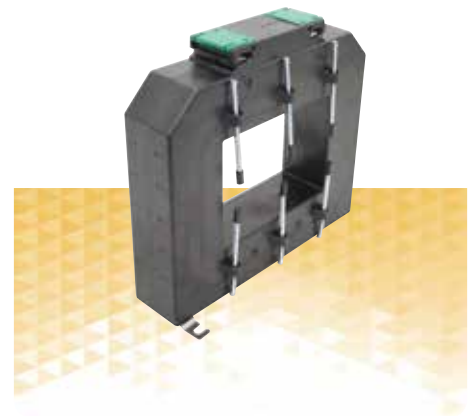
LCTB 225/125 (225mm wide x 50mm deep x (125mm x 93mm) I.D.)

Cat No.	Ratio	VA at 0.2S	Cat No.	Ratio	VA at 0.2S
XR04-395084S000000	1000/5A	5VA	XR04-465114S000000	2500/5A	10VA
XR04-405084S000000	1200/5A	5VA	XR04-485114S000000	3000/5A	10VA
XR04-415084S000000	1250/5A	5VA	XR04-515134S000000	4000/5A	15VA
XR04-425104S000000	1500/5A	7.5VA	XR04-525134S000000	5000/5A	15VA
XR04-435104S000000	1600/5A	7.5VA	XR04-535134S000000	6000/5A	15VA
XR04-445114S000000	2000/5A	10VA	Primary Ratios available from 1000A to 6000A		

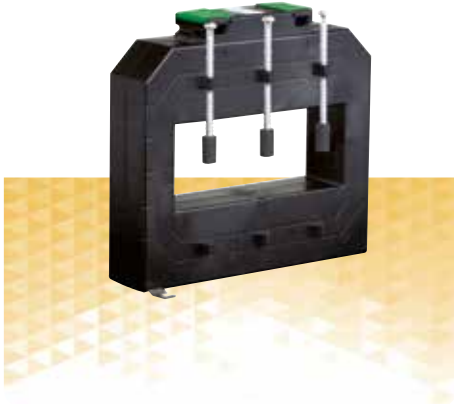
Dimensions



LCTB 225/125



LCTB 225/167



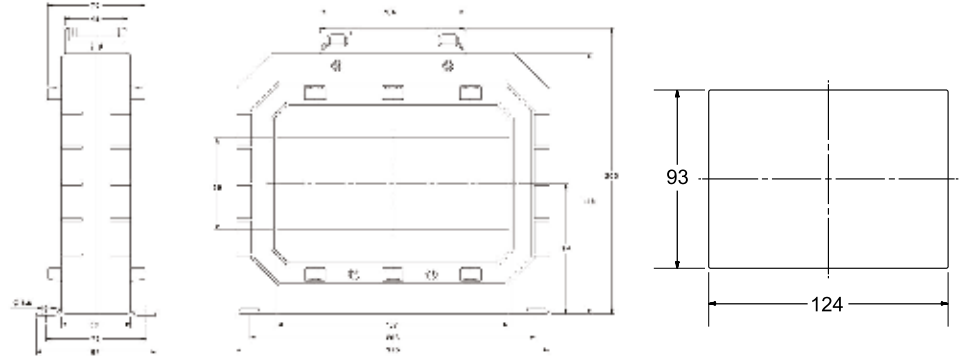
LCTB 225/167 (225mm wide x 50mm deep x (167mm x 66mm) I.D.)

Cat No.	Ratio	VA at 0.2S
XR05-425084S000000	1500/5A	5VA
XR05-435084S000000	1600/5A	5VA
XR05-445104S000000	2000/5A	7.5VA
XR05-465114S000000	2500/5A	10VA
XR05-485114S000000	3000/5A	10VA

Cat No.	Ratio	VA at 0.2S
XR05-515114S000000	4000/5A	10VA
XR05-525134S000000	5000/5A	15VA
XR05-535134S000000	6000/5A	15VA
XR05-545134S000000	7500/5A	15VA

Primary Ratios available from 1500A to 7500A

Dimensions



LCTB 130/100V



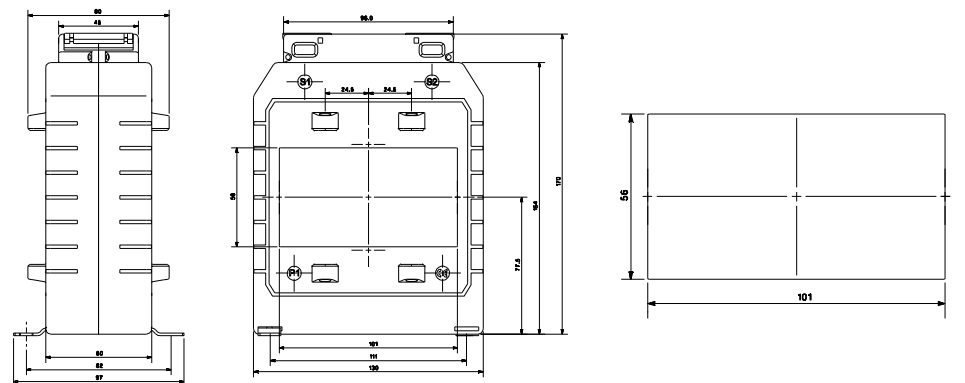
LCTB 130/100V (140mm wide x 45mm deep x (101 x 56mm) I.D.)

Cat No.	Ratio	VA at 0.2S
XR06-335054S000000	600/5A	2.5VA
XR06-365084S000000	750/5A	5VA
XR06-375114S000000	800/5A	10VA
XR06-395114S000000	1000/5A	10VA
XR06-405114S000000	1200/5A	10VA
XR06-415114S000000	1250/5A	10VA

Cat No.	Ratio	VA at 0.2S
XR06-425114S000000	1500/5A	10VA
XR06-435114S000000	1600/5A	10VA
XR06-445114S000000	2000/5A	10VA
XR06-465114S000000	2500/5A	10VA
XR06-485124S000000	3000/5A	12.5VA

Primary Ratios available from 600A to 3000A

Dimensions



Features given vary from product to product
-for more detailed product specific info please
visit our website www.sifamtinsley.co.uk

OMEGA Ring Type

OMEGA 20 (TW CT's)

Sifam Tinsley's Omega TW series round type CT's are housed in robust case with classical finish. The case is made of polycarbonate, which is flame retardant and non-drip and confirms to international regulations UL 94 V-0.

Specifications

- System voltage: 720V (0.72kV) maximum
- Test voltage: 4kV for 1 minute
- System frequency: 50 or 60 Hz
- Insulation class: E
- Overload withstand: 1.2 times rated current continuously
- Short circuit thermal: 100 x rated primary for 1 second
- Operating temperature: 20°C to 55°C
- Relative humidity: 0-90% (non condensing)
- Compliant with: IEC 60044-1. Bs7626
- Accuracy: Class 3, 1, 0.5, 0.2 & 0.25
- Rated dynamic current: = 2.55 x 1ht
- Enclosure: Flame retardant grade classified UL 94V-0



Features

- Available in 0.2S, 0.2, 0.5S, 0.5, 1, 3, 5 accuracy classes
- Cost effective polycarbonate case current transformer
- Wide range of sizes available for different bus bar sizes
- Various mounting options which include wall mounting, bus bar mounting, DIN rail mounting
- Wire sealable terminal covers

OMEGA Ring Type

OMEGA 20A



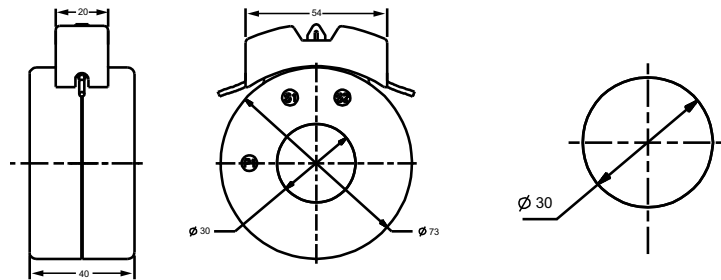
OMEGA 20A (73mm O.D. x 40mm deep x 30mm I.D.)

Cat No.	Ratio	VA at CL 0.5
TW01-185035S000000	100/5A	1.5VA
TW01-195035S000000	120/5A	1.5VA
TW01-205055S000000	125/5A	2.5VA
TW01-225055S000000	150/5A	2.5VA
TW01-245085S000000	200/5A	5VA

Cat No.	Ratio	VA at CL 1.0
TW01-135031S000000	50/5A	1.5VA
TW01-145031S000000	60/5A	1.5VA
TW01-165031S000000	75/5A	1.5VA
TW01-185051S000000	100/5A	2.5VA
TW01-195051S000000	120/5A	2.5VA

*More ratios available

Dimensions



OMEGA 20B



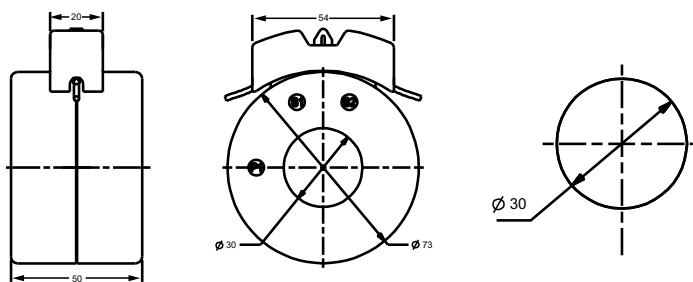
OMEGA 20B (73mm O.D. x 50mm deep x 30mm I.D.)

Cat No.	Ratio	VA at CL 0.5
TW02-165035S000000	75/5A	1.5VA
TW02-165035S000000	100/5A	2.5VA
TW02-195055S000000	120/5A	2.5VA
TW02-205055S000000	125/5A	2.5VA
TW02-225085S000000	150/5A	5VA
TW02-245115S000000	200/5A	10VA

Cat No.	Ratio	VA at CL 1.0
TW02-165051S000000	75/5A	2.5VA
TW02-185081S000000	100/5A	5VA
TW02-195081S000000	120/5A	5VA
TW02-205081S000000	125/5A	5VA
TW02-225111S000000	150/5A	10VA
TW02-245131S000000	200/5A	15VA

*More ratios available

Dimensions



Features given vary from product to product
 -for more detailed product specific info please
 visit our website www.sifamtinsley.co.uk

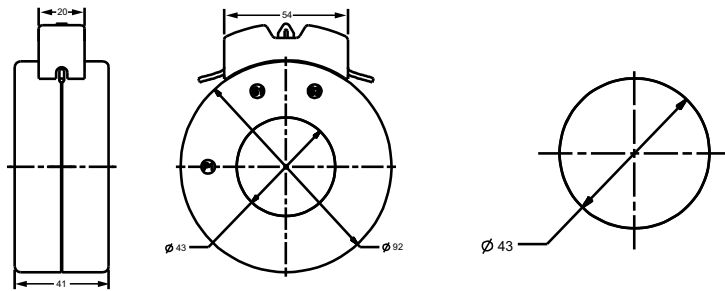
OMEGA 20C (92mm O.D. x 41mm deep x 43mm I.D.)

Cat No.	Ratio	VA at CL 0.5
TW03-205015S000000	125/5A	1VA
TW03-225035S000000	150/5A	1.5VA
TW03-245085S000000	200/5A	5VA
TW03-275105S000000	250/5A	7.5VA
TW03-285115S000000	500/5A	10VA

Cat No.	Ratio	VA at CL 1.0
TW03-205051S000000	125/5A	2.5VA
TW03-225071S000000	150/5A	3.75VA
TW03-245111S000000	200/5A	10VA
TW03-275131S000000	250/5A	15VA
TW03-285141S000000	300/5A	20VA

*More ratios available

Dimensions



OMEGA 20C



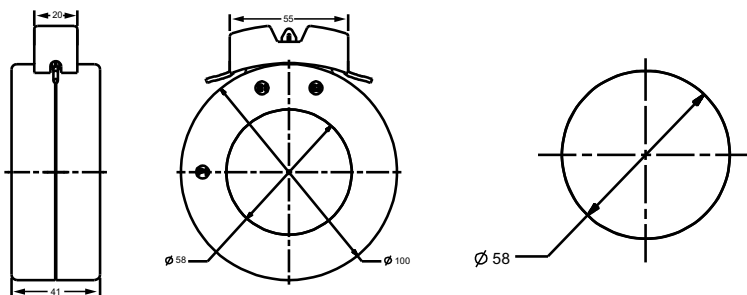
OMEGA 20D (100mm O.D. x 41mm deep x 58mm I.D.)

Cat No.	Ratio	VA at CL 0.5
TW04-275075S000000	250/5A	3.75VA
TW04-285085S000000	300/5A	5VA
TW04-315115S000000	400/5A	10VA
TW04-325135S000000	500/5A	15VA
TW04-335135S000000	600/5A	15VA

Cat No.	Ratio	VA at CL 1.0
TW04-275101S000000	250/5A	7.5VA
TW04-285111S000000	300/5A	10VA
TW04-315141S000000	400/5A	20VA
TW04-325201S000000	500/5A	25VA
TW04-335201S000000	600/5A	25VA

*More ratios available

Dimensions



OMEGA 20D



OMEGA 20E



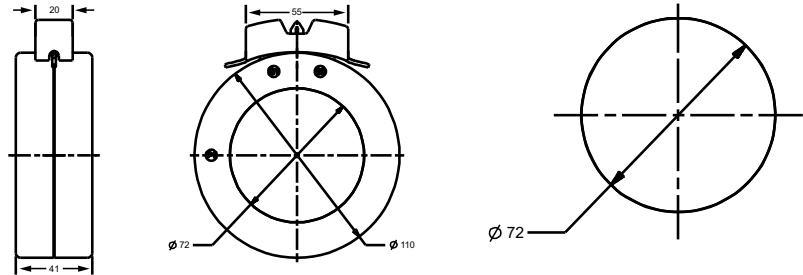
OMEGA 20E (110mm O.D. x 41mm deep x 72mm I.D.)

Cat No.	Ratio	VA at CL 0.5
TW05-315105S000000	400/5A	7.5VA
TW05-325115S000000	500/5A	10VA
TW05-335115S000000	600/5A	10VA
TW05-375135S000000	800/5A	15VA
TW05-395135S000000	1000/5A	15VA

Cat No.	Ratio	VA at CL 1.0
TW05-315121S000000	400/5A	12.5VA
TW05-325131S000000	500/5A	15VA
TW05-335131S000000	600/5A	15VA
TW05-375151S000000	800/5A	30VA
TW05-395151S000000	1000/5A	30VA

*More ratios available

Dimensions



OMEGA 20F



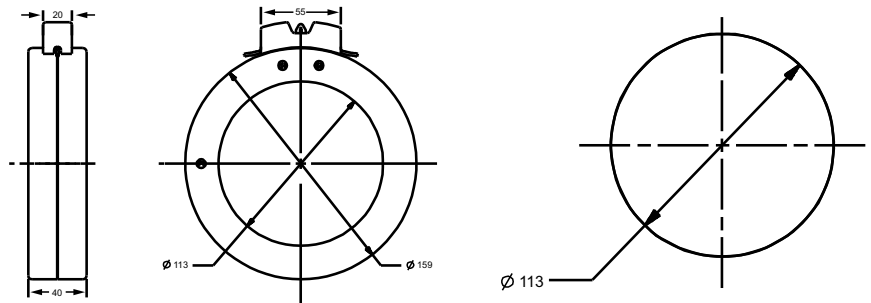
OMEGA 20F (159mm O.D. x 40mm deep x 113mm I.D.)

Cat No.	Ratio	VA at CL 0.5
TW06-395115S000000	1000/5A	10VA
TW06-405145S000000	1200/5A	20VA
TW06-415145S000000	1250/5A	20VA
TW06-425145S000000	1500/5A	20VA
TW06-435145S000000	1600/5A	20VA
TW06-445205S000000	2000/5A	25VA
TW06-465205S000000	2500/5A	25VA
TW06-485155S000000	3000/5A	30VA
TW06-495155S000000	3500/5A	30VA

Cat No.	Ratio	VA at CL 1.0
TW06-395131S000000	1000/5A	15VA
TW06-405151S000000	1200/5A	30VA
TW06-415151S000000	1250/5A	30VA
TW06-425151S000000	1500/5A	30VA
TW06-435151S000000	1600/5A	30VA
TW06-445161S000000	2000/5A	45VA
TW06-465161S000000	2500/5A	45VA
TW06-485161S000000	3000/5A	45VA
TW06-495161S000000	3200/5A	45VA

*More ratios available

Dimensions



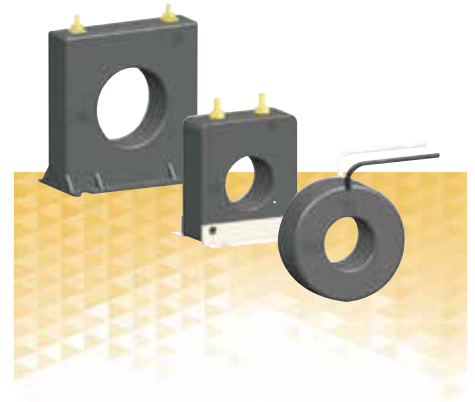
Features given vary from product to product
 -for more detailed product specific info please
 visit our website www.sifamtinsley.co.uk

OMEGA ANSI Type

The ANSI Metering Class transformers are intended for power monitoring applications where high accuracy and minimum phase angle error are required. They are specially designed to be compliant with relevant ANSI standards.

Specifications

- Applicable standard : ANSI/IEEE C57.13
- Case: 10% glass filled polycarbonate, flame retardant grades classified UL 94V-0
- Insulation Level: 600 Volts, 10KV BIL full wave
- Non-standard length possible if specified
- For all the SHT & SFT types terminals are brass studs No. 8-32 with one flat washer, lock washer & regular nut
- All the SHT & SFT models also available as SHL & SFL with leads
- For all the SHT types mounting bracket kit when required.



Features

- Applicable standard : ANSI/IEEE C57.13
- Case: 10% glass filled polycarbonate, flame retardant grades classified UL 94V-0.
- Insulation Level: 600 Volts, 10KV BIL full wave
- Non-standard length possible if specified
- For all the SHT & SFT types terminals are brass studs No. 8-32 with one flat washer, lock washer & regular nut
- All the SHT & SFT models also available as SHL & SFL with leads
- For all the SHT types mounting bracket kit when required.

OMEGA ANSI Type

Omega 30A (2NSFT, 2NSHT & 2NRL Series)

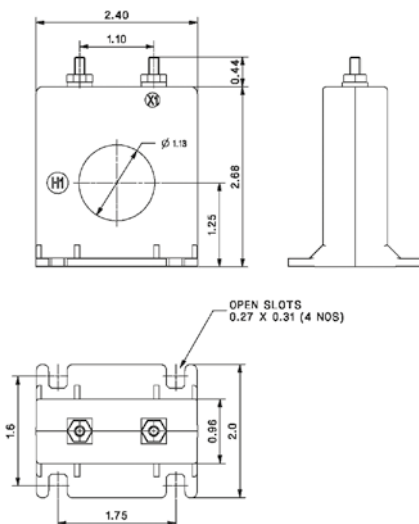
Cat No.	Ratio	VA
50	± 3%	1.5
60	± 3%	2.0
75	± 2%	2.0
80	± 2%	2.0
100	± 1%	2.0
120	± 1%	2.5

Cat No.	Ratio	VA
125	± 1%	2.5
150	± 1%	4.0
200	± 1%	4.0
250	± 1%	6.0
300	± 1%	8.0

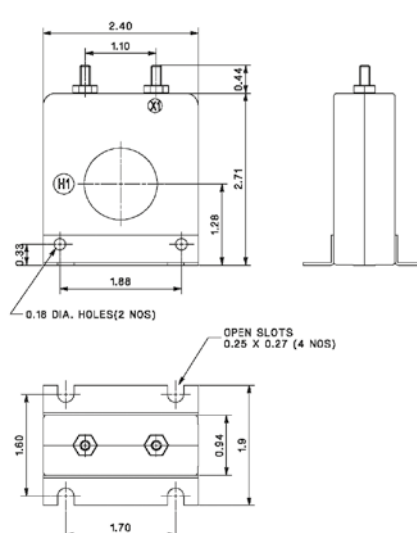
Used for ammeter only. Approx. weight 0.5lbs.

Dimensions

2NSFT



2NSHT



OMEGA 30A 2NSFT & 2NSHT



OMEGA 30A

2NRL & 2NDRL



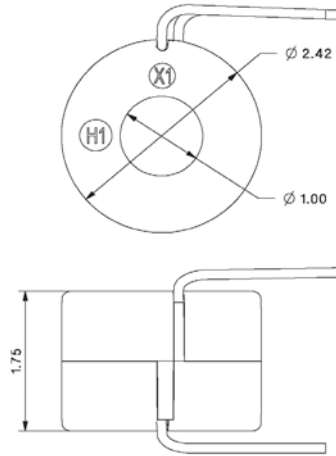
Omega 30A (2NDRL Series)

Cat No.	Ratio	VA
50	± 2%	1.5
60	± 2%	2.0
75	± 2%	3.0
80	± 2%	4.0
100	± 1%	5.0
120	± 1%	5.0

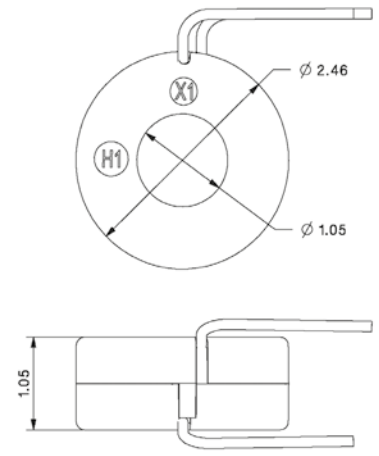
Cat No.	Ratio	VA
125	± 1%	5.0
200	± 1%	10
250	± 1%	12.5
300	± 1%	15

Used for ammeter only. Approx. weight 0.5lbs.

Dimensions - 2NDRL



2NRL



OMEGA 30A

2ADRL

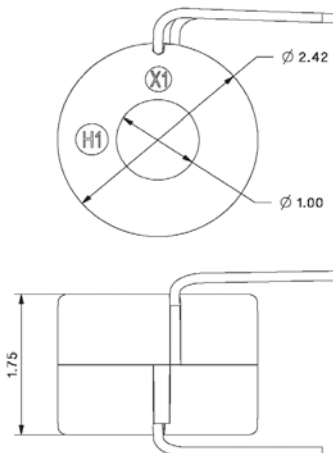


Omega 30A (2ADRL Series)

Current Ratio	VA at ±1% Class	ANSI Metering Class		
		B0.1	B0.1	B0.5
50	2% 2.5	4.8	-	-
60	2.5	1.2	-	-
75	3.5	1.2	2.4	-
80	4.0	1.2	2.4	-
100	5.0	1.2	2.4	-
120	5.0	1.2	2.4	-
125	5.0	0.6	1.2	-
150	10	0.6	0.6	-
200	12.5	0.3	0.6	1.2
250	15	0.3	0.3	0.6
300	20	0.3	0.3	0.6

Dimensions

2ADRL



Used for ammeter, Wattmeters & cross current compensation
 Approx. weight 0.5lbs

All dimensions are in mm

Features given vary from product to product
 -for more detailed product specific info please
 visit our website www.sifamtinsley.co.uk

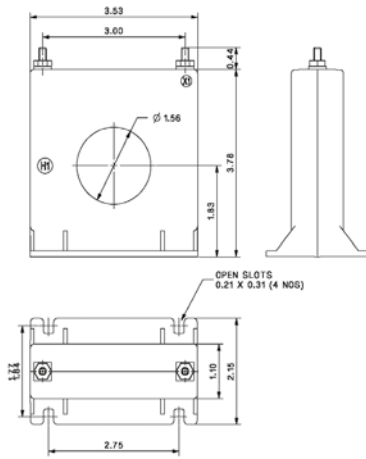
Omega 30B (5NSFT, 5NSHT & 5NRL Series)

Cat No.	Ratio	VA	Cat No.	Ratio	VA
50	± 2%	1.0	400	± 1%	12.5
75	± 2%	1.5	500	± 1%	20
100	± 2%	2.0	600	± 1%	25
150	± 1%	5.0	750	± 1%	25
200	± 1%	5.0	800	± 1%	25
250	± 1%	10	1000	± 1%	25
300	± 1%	12.5	1200	± 1%	30.5

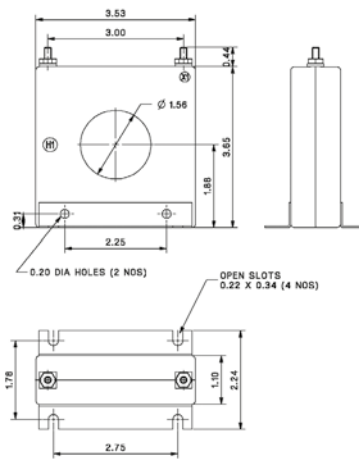
Used for ammeter, Wattmeters & cross current compensation. Approx. weight 1 lbs.

Dimensions

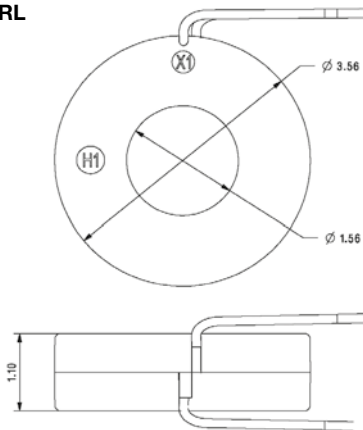
5NSFT



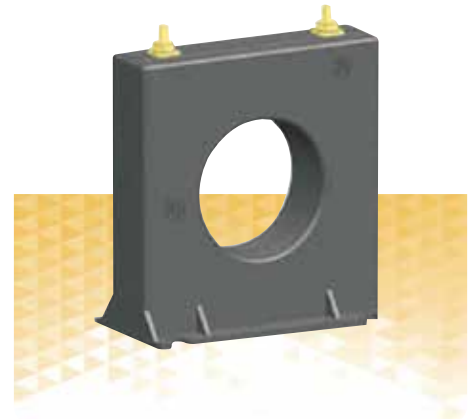
5NSHT



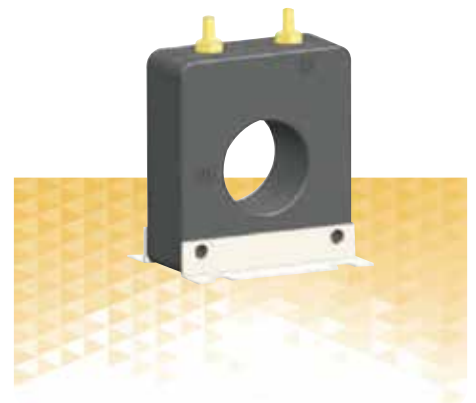
5NRL



OMEGA 30B
5NSFT



OMEGA 30B
5NSHT

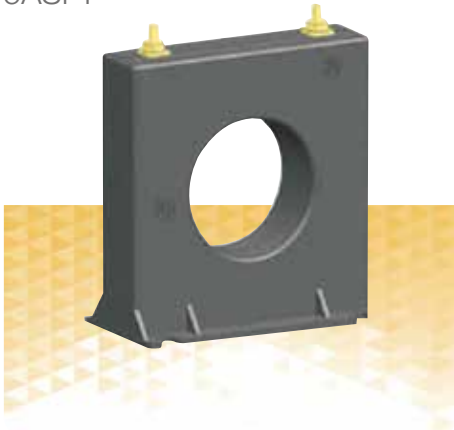


OMEGA 30B
5NRL



OMEGA 30B

5ASFT



Omega 30B (5ASFT, 5ASHT & 5ARL Series)

Current Ratio	VA at ±1% Class	ANSI Metering Class					Cont. Thermal RF	
		B0.1	B0.2	B0.3	B0.9	B1.8	@30	@55
50	1.0	4.8	-	-	-	-	2.0	2.0
75	1.0	2.4	4.8	-	-	-	2.0	2.0
100	1.0	1.2	2.4	-	-	-	2.0	2.0
150	5.0	0.6	1.2	2.4	4.8	-	2.0	2.0
200	5.0	0.6	0.6	1.2	2.4	4.8	2.0	2.0
250	12.5	0.6	0.6	1.2	2.4	2.4	2.0	1.5
300	15	0.3	0.3	0.6	1.2	2.4	2.0	1.5
400	20	0.3	0.3	0.6	1.2	1.2	1.5	1.0
500	25	0.3	0.3	0.6	0.6	1.2	1.33	0.8
600	30	0.3	0.3	0.6	0.6	1.2	1.0	0.8
750	30	0.3	0.3	0.6	0.6	0.6	1.0	0.8
800	30	0.3	0.3	0.6	0.6	0.6	1.0	0.8
1000	35	0.3	0.3	0.3	0.6	0.6	1.0	0.8
1200	40	0.3	0.3	0.3	0.3	0.6	1.0	0.6

Used for ammeter & Wattmeters. Approx. weight 1 lbs.

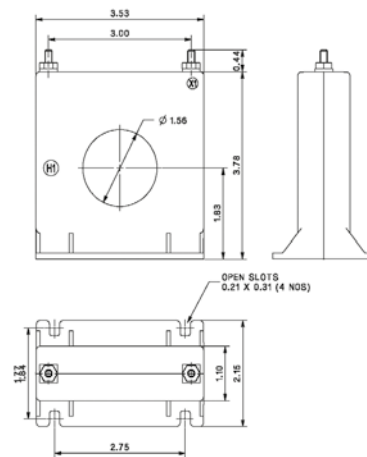
OMEGA 30B

5ASHT

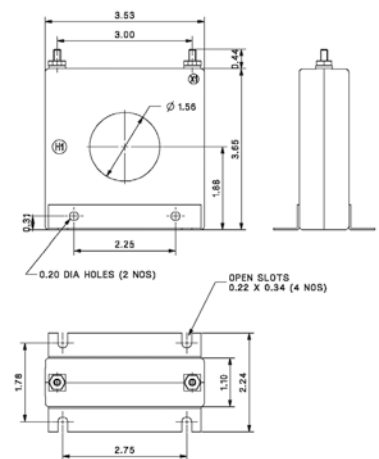


Dimensions

5ASFT

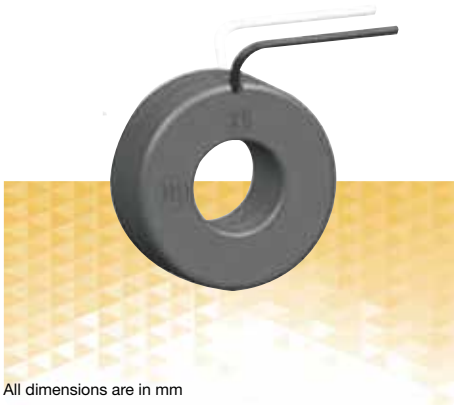


5ASHT

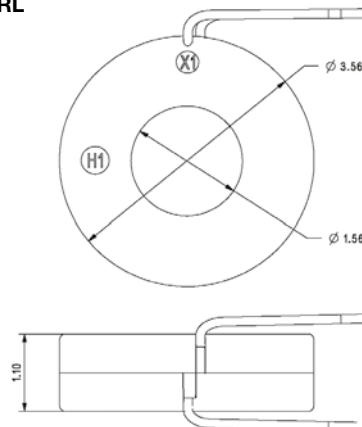


OMEGA 30B

5ARL



5ARL



All dimensions are in mm

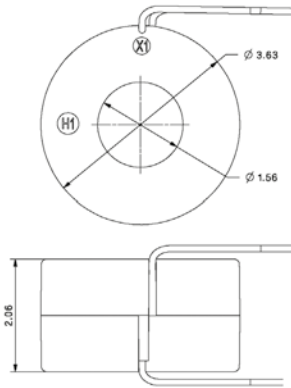
Features given vary from product to product
 -for more detailed product specific info please
 visit our website www.sifamtinsley.co.uk

Omega 30B (5NDRL)

Cat No.	Ratio	VA	Cat No.	Ratio	VA
50	± 2%	2.5	400	± 1%	40
60	± 1% 2	.5	500	± 1%	50
75	± 1%	3.5	600	± 1%	60
100	± 1%	5.0	750	± 1%	60
150	± 1%	10	800	± 1%	60
200	± 1%	12.5	1000	± 1%	75
250	± 1%	20	1200	± 1%	90
300	± 1%	25			

Used for ammeter, Wattmeters & cross current compensation. Approx. weight 2 lbs.

Dimensions 5NDRL



OMEGA 30B 5NDRL

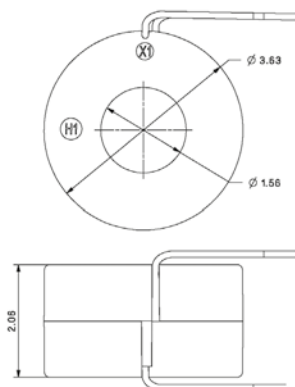


Omega 30B (5ADRL)

Current Ratio	VA at ±1% Class	B0.1	ANSI Metering Class				Cont. Thermal RF	
			B0.2	B0.3	B0.9	B1.8	@30	@55
50	±1% 2.5	2.4	-	-	-	-	2.0	2.0
60	2.5	1.2	4.8	-	-	-	2.0	2.0
75	3.5	1.2	2.4	-	-	-	2.0	2.0
80	4.0	1.2	2.4	4.8	-	-	2.0	2.0
100	5.0	0.6	1.2	4.8	4.8	-	2.0	2.0
120	7.5	0.6	0.6	2.4	4.8	-	2.0	2.0
125	7.5	0.6	0.6	2.4	4.8	4.8	2.0	2.0
150	10	0.6	0.6	1.2	2.4	4.8	2.0	2.0
200	12.5	0.6	0.6	0.6	1.2	2.4	2.0	1.5
250	20	0.3	0.3	0.6	1.2	2.4	2.0	1.5
300	25	0.3	0.3	0.6	1.2	1.2	1.5	1.33
400	40	0.3	0.3	0.3	0.6	1.2	1.5	1.0
500	50	0.3	0.3	0.3	0.3	0.6	1.5	1.0
600	60	0.3	0.3	0.3	0.3	0.6	1.0	0.8
750	75	0.3	0.3	0.3	0.3	0.6	1.33	1.0
800	80	0.3	0.3	0.3	0.3	0.3	1.33	1.0
1000	90	0.3	0.3	0.3	0.3	0.3	1.0	0.8

Used for ammeter & Wattmeters. Approx. weight 2 lbs.

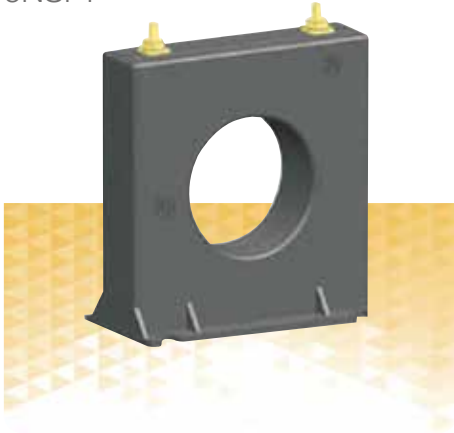
Dimensions 5ADRL



OMEGA 30B 5ADRL



OMEGA 30C 6NSFT



OMEGA 30C 6NSHT



OMEGA 30C 6NRL



All dimensions are in mm

Omega 30C (6NSFT, 6NSHT & 6NRL Series)

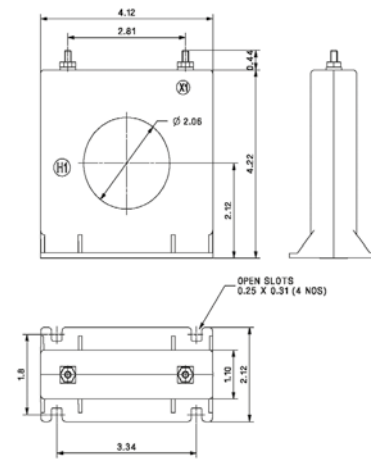
Cat No.	Ratio	VA
100	± 2%	2.0
150	± 1%	5.0
200	± 1%	5.0
250	± 1%	7.5
300	± 1%	12.5
400	± 1%	15
500	± 1%	25

Cat No.	Ratio	VA
600	± 1%	30
750	± 1%	25
800	± 1%	25
1000	± 1%	35
1200	± 1%	40
1500	± 1%	50

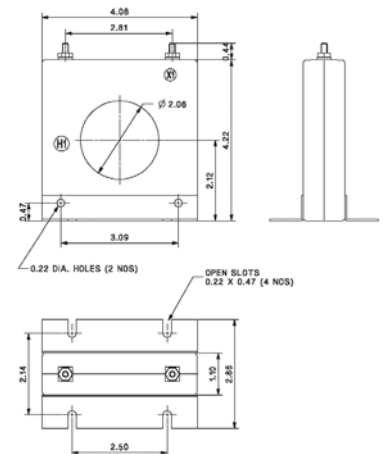
Used for ammeter, Wattmeters & cross current compensation. Approx. weight 1.2 lbs.

Dimensions

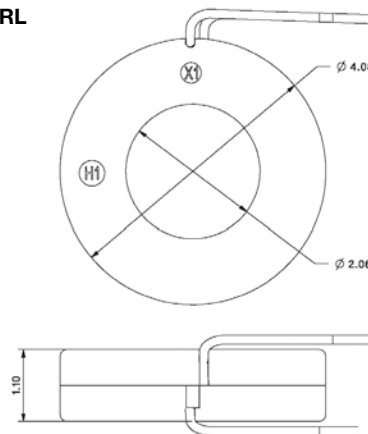
6NSFT



6NSHT



6NRL



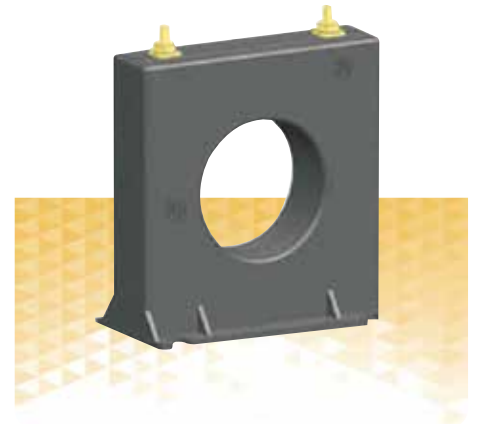
Features given vary from product to product
-for more detailed product specific info please
visit our website www.sifamtinsley.co.uk

Omega 30C (6ASFT, 6ASHT & 6ARL Series)

Current Ratio	VA at ±1% Class	ANSI Metering Class					Cont. Thermal RF	
		B0.1	B0.2	B0.3	B0.9	B1.8	@30	@55
100	1.0	1.2	2.4	-	-	-	2.0	2.0
150	5.0	1.2	1.2	4.8	4.8	-	2.0	2.0
200	5.0	0.6	1.2	2.4	4.8	-	2.0	2.0
250	7.5	0.3	0.6	2.4	2.4	4.8	2.0	1.5
300	12.5	0.3	0.6	1.2	2.4	2.4	2.0	1.5
400	15	0.3	0.3	0.6	1.2	2.4	1.5	1.33
500	25	0.3	0.3	0.6	1.2	2.4	1.5	1.0
600	30	0.3	0.3	0.6	0.6	1.2	1.33	1.0
750	30	0.3	0.3	0.6	0.6	1.2	1.25	1.0
800	35	0.3	0.3	0.6	0.6	0.6	1.25	0.8
1000	35	0.3	0.3	0.3	0.6	0.6	1.0	0.8
1200	40	0.3	0.3	0.3	0.3	0.6	1.0	0.8
1500	50	0.3	0.3	0.3	0.3	0.6	1.0	0.8

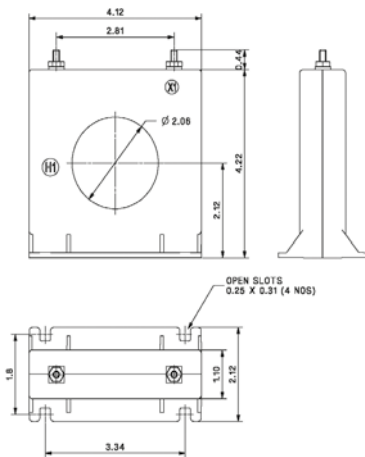
Used for ammeter and Wattmeters. Approx. weight 1.25 lbs.

OMEGA 30C 6ASFT

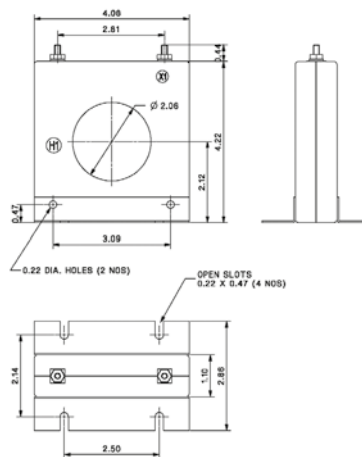


Dimensions

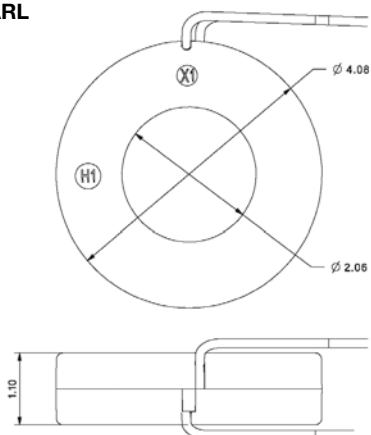
6ASFT



6ASHT



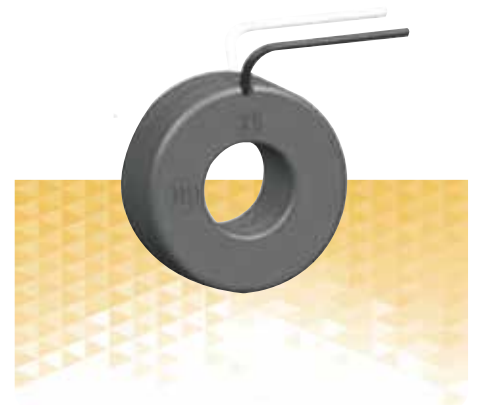
6ARL



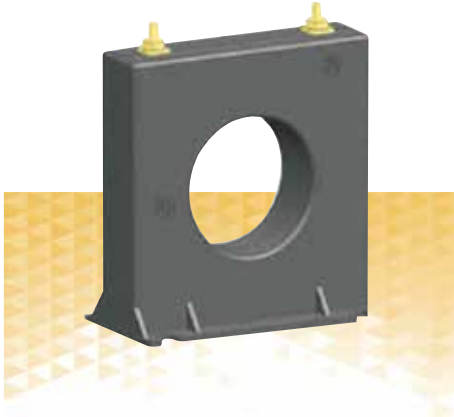
OMEGA 30C 6ASHT



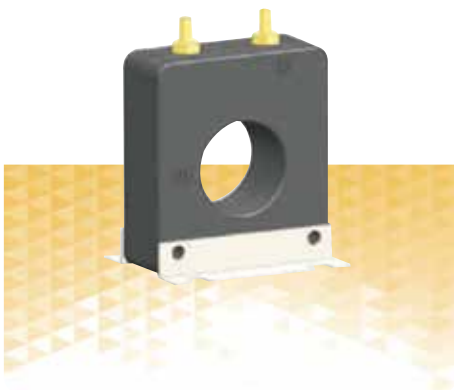
OMEGA 30C 6ARL



OMEGA 30D 7NSFT



OMEGA 30D 7NSHT



OMEGA 30D 7NRL



All dimensions are in mm

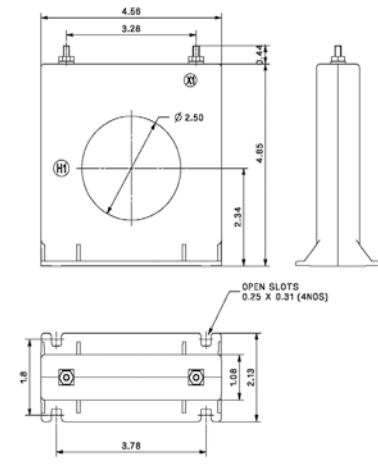
Omega 30D (7NSFT, 7NSHT & 7NRL Series)

Cat No.	Ratio	VA	Cat No.	Ratio	VA
100	± 2%	2.5	600	± 1%	30
150	± 1%	5.0	750	± 1%	30
200	± 1%	5.0	800	± 1%	35
250	± 1%	5.0	1000	± 1%	35
300	± 1%	12.5	1200	± 1%	35
400	± 1%	15	1500	± 1%	40
500	± 1%	25	1600	± 1%	45

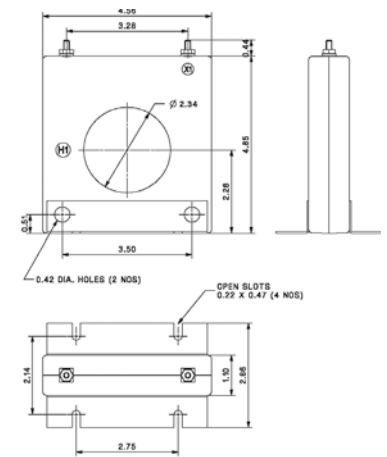
Used for ammeter, Wattmeters & cross current compensation. Approx. weight 1.5 lbs.

Dimensions

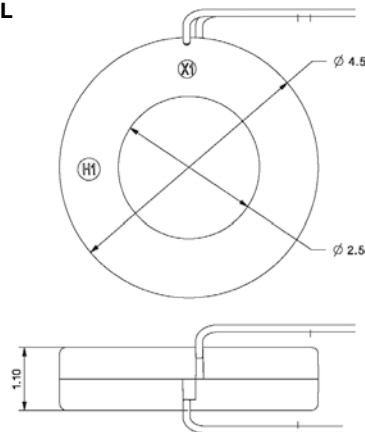
7NSFT



7NSHT



7NRL



Features given vary from product to product
-for more detailed product specific info please
visit our website www.sifamtinsley.co.uk

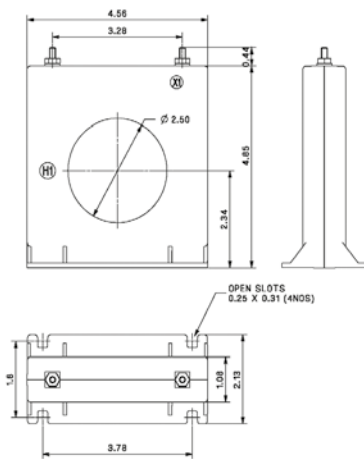
Omega 30D (7ASFT, 7ASHT & 7ARL Series)

Current Ratio	VA at $\pm 1\%$ Class	ANSI Metering Class					Cont. Thermal RF	
		B0.1	B0.2	B0.3	B0.9	B1.8	@30	@55
100	1.0	2.4	4.8	-	-	-	2.0	2.0
150	2.5	1.2	2.4	4.8	4.8	-	2.0	2.0
200	5.0	0.6	1.2	2.4	4.8	4.8	2.0	2.0
250	7.5	0.3	0.6	1.2	2.4	4.8	2.0	2.0
300	12.5	0.3	0.6	1.2	2.4	2.4	2.0	1.5
400	15	0.3	0.3	0.6	1.2	2.4	2.0	1.5
500	25	0.3	0.3	0.6	1.2	1.2	1.5	1.0
600	30	0.3	0.3	0.6	0.6	1.2	1.5	1.0
750	30	0.3	0.3	0.3	0.6	0.6	1.33	1.0
800	35	0.3	0.3	0.3	0.6	0.6	1.33	1.0
1000	35	0.3	0.3	0.3	0.6	0.6	1.33	1.0
1200	40	0.3	0.3	0.3	0.3	0.6	1.0	1.0
1500	50	0.3	0.3	0.3	0.3	0.6	1.0	0.8
1600	50	0.3	0.3	0.3	0.3	0.6	1.0	0.8

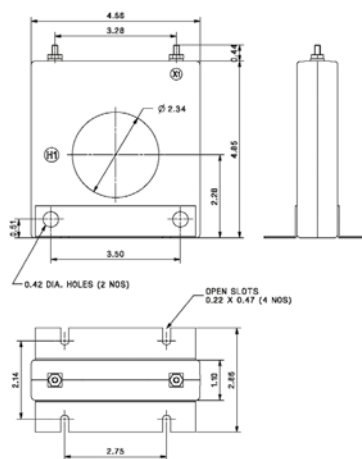
Used for ammeter and Wattmeters. Approx. weight 1.25 lbs.

Dimensions

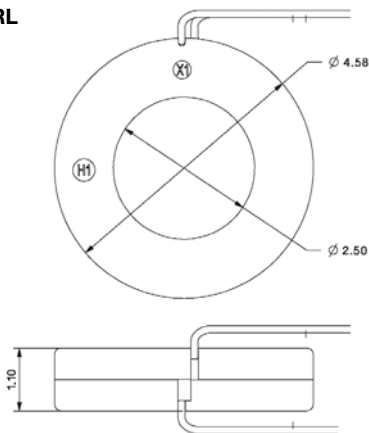
7ASFT



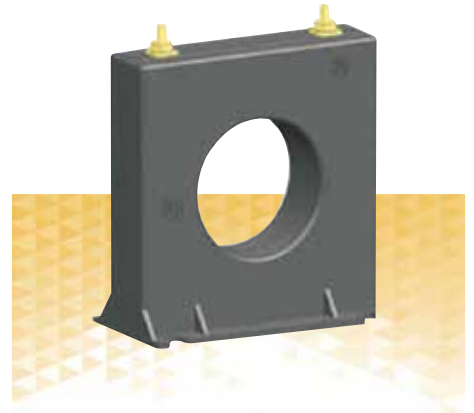
7ASHT



7ARL



OMEGA 30D 7ASFT



OMEGA 30D 7ASHT



OMEGA 30D 7ARL



OMEGA 30E 8ASFT



Omega 30E (8ASFT, 8ARL Series)

Current Ratio	VA at $\pm 1\%$ Class	ANSI Metering Class					Cont. Thermal RF	
		B0.1	B0.2	B0.3	B0.9	B1.8	@30	@55
200	5.0	1.2	1.2	2.4	4.8	4.8	2.0	2.0
250	7.5	0.6	0.6	1.2	2.4	4.8	2.0	2.0
300	15	0.6	0.6	1.2	2.4	2.4	2.0	2.0
400	25	0.3	0.3	0.6	1.2	2.4	2.0	1.5
500	35	0.3	0.3	0.6	0.6	1.2	2.0	1.5
600	50	0.3	0.3	0.6	0.6	1.2	1.5	1.33
750	50	0.3	0.3	0.6	0.6	1.2	1.5	1.0
800	60	0.3	0.3	0.3	0.6	0.6	1.5	1.0
1000	75	0.3	0.3	0.3	0.6	0.6	1.33	1.0
1200	75	0.3	0.3	0.3	0.3	0.6	1.5	1.0
1500	90	0.3	0.3	0.3	0.3	0.6	1.33	1.0
1600	100	0.3	0.3	0.3	0.3	0.6	1.33	0.8
2000	120	0.3	0.3	0.3	0.3	-	1.0	0.8
2500	50	0.3	0.3	0.3	0.3	-	1.0	0.8
3000	60	0.3	0.3	0.3	0.3	-	1.0	0.8
3200	70	0.3	0.3	0.3	0.3	-	1.0	0.8
4000	80	0.3	0.3	0.3	0.3	-	0.8	0.8

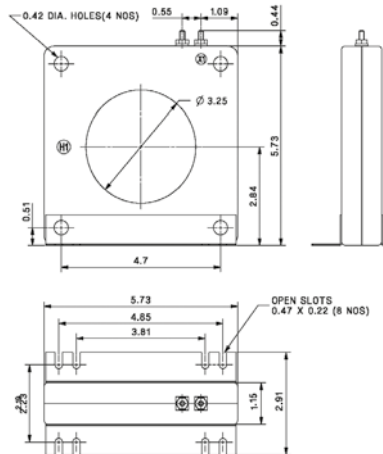
Used for Metering. Approx. weight 2.5 lbs.

OMEGA 30E 8ARL

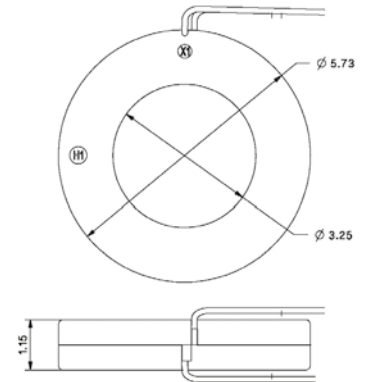


Dimensions

8ASFT



8ARL



All dimensions are in mm

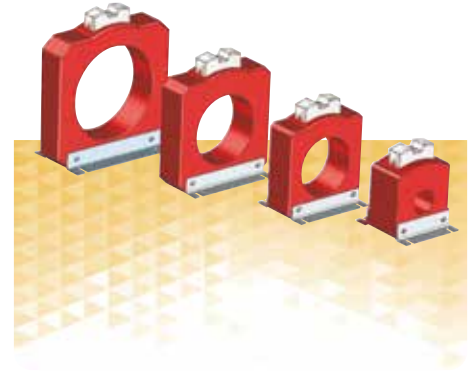
Features given vary from product to product
-for more detailed product specific info please
visit our website www.sifamtinsley.co.uk

LTRC Series – Resin Cast

LTRC Series – Resin Cast CT's are Epoxy Resin type with Insulation Class E (120°C). These LV metering CT's feature sealable terminal covers and primary current ratings from 100A to 1200A. Available in various, Bus bar sizes, case widths, and with foot mounting facility.

Specifications

- Applicable standard: IEC61869-1 & 2
- Case: Epoxy Resin
- Insulation class: E(120°C max)
- Test voltage: 3KV 50 Hz for 1 minute
- Operating frequency: 50Hz
- Rated Primary current: 100A to 1200A
- Rated secondary current: 5A standard
- Continuous current: 1.2X Rated current
- Rated system voltage: 0.72/3KV
- Ambient temperature range: 25 to +40°C
- Storage temperature range: 50 to +80°C



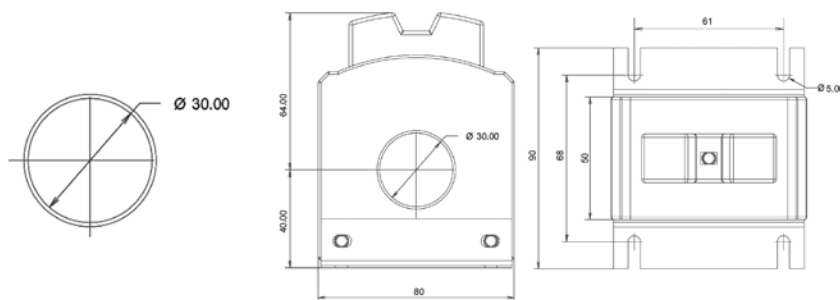
Features

- Compact size
- Wide range of system current Ratings
- Transparent terminal cover
- Wall mounting
- Terminal with self lifting screw

LTRC Series

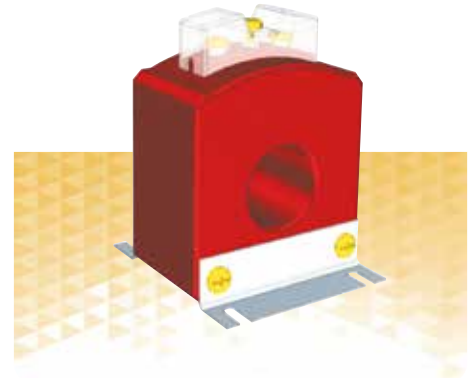
Ratio	VA	Class
100	5	1
125	5	1
150	5	1

Dimensions



LTRC-1 Series

LTRC-1 80/30(50)



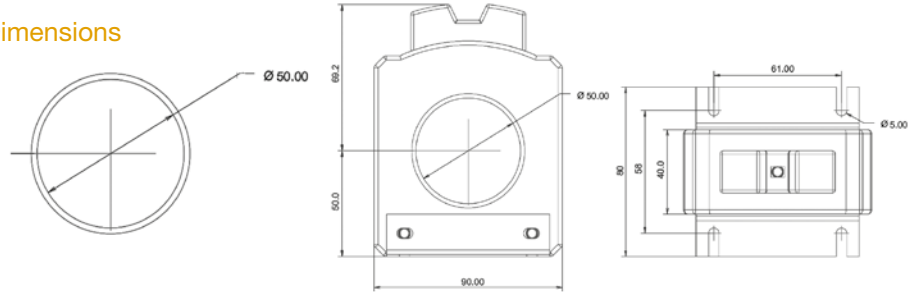
LTRC-2 Series

LTRC-2 90/50(40)



Ratio	VA	Class
200	10	1
250	10	1
300	10	1

Dimensions



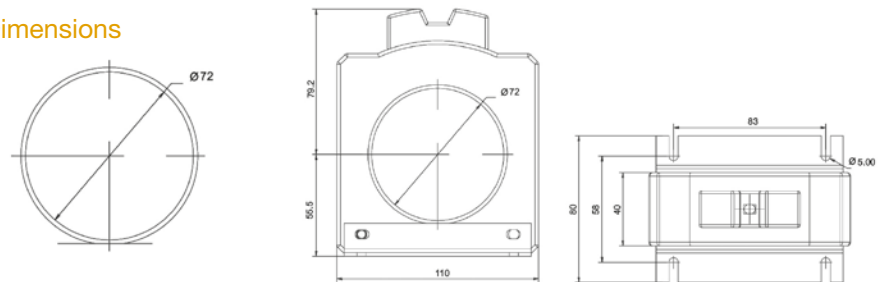
LTRC-3 Series

LTRC-3 110/72(40)



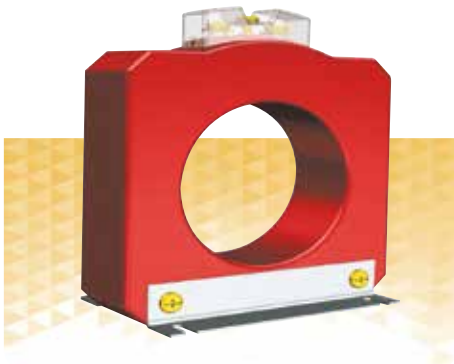
Ratio	VA	Class
400	15	1
500	15	1
600	15	1
630	15	1

Dimensions



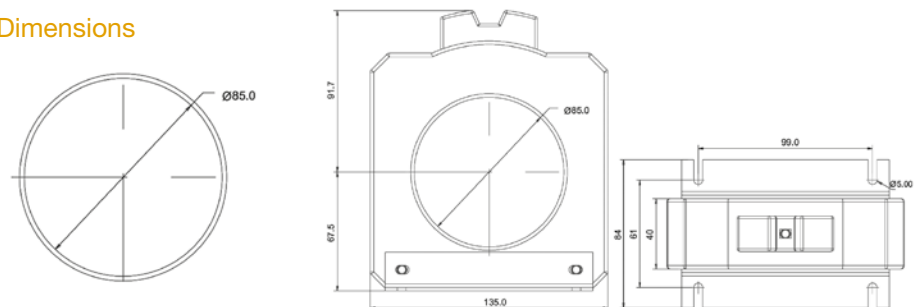
LTRC-4 Series

LTRC-4 135/85(40)



Ratio	VA	Class
800	15	1
1000	15	1
1200	15	1

Dimensions



Features given vary from product to product
-for more detailed product specific info please
visit our website www.sifamtinsley.co.uk

All dimensions are in mm

New Products

Recently introduced into our range and available now.

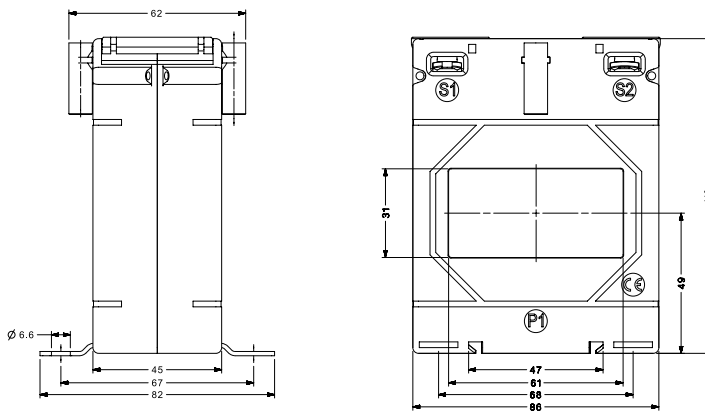
LCTB - 86/63(45)
 (82mm wide x 45mm deep x height 110mm. Aperture 61mm x 31mm)

Cat No.	Ratio	VA at CL1	VA at CL3
XM29-015063S000000	400/5A	5VA	10VA
XM29-025073S000000	500/5A	6.25VA	10VA
XM29-035083S000000	600/5A	7.5VA	12.5VA
XM29-045093S000000	750/5A	10VA	15VA
XM29-055093S000000	800/5A	10VA	15VA
XM29-065093S000000	1000/5A	10VA	15VA
XM29-075093S000000	1200/5A	10VA	15VA
XM29-085093S000000	1250/5A	10VA	15VA
XM29-095103S000000	1500/5A	12.5VA	15VA
XM29-105103S000000	1600/5A	12.5VA	15VA

LCTB - 86/63(45)

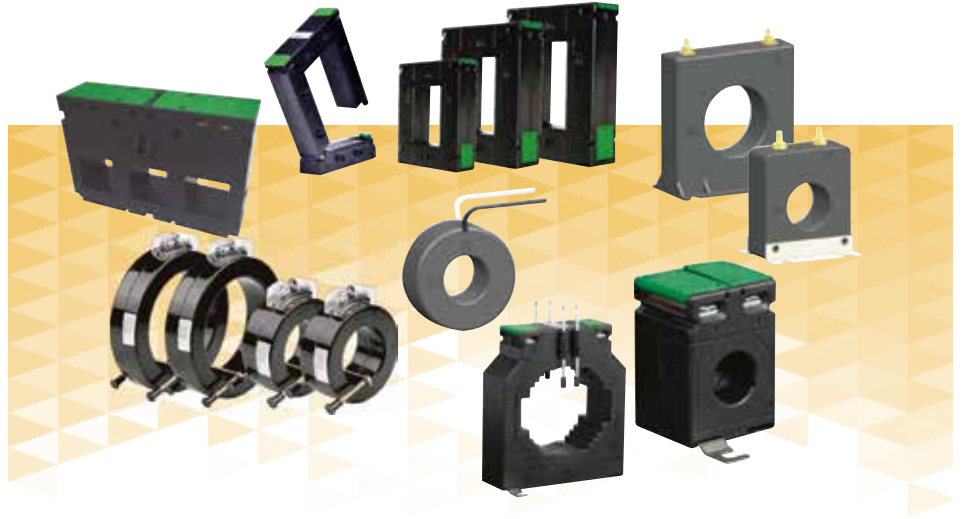


Dimensions



About Sifam Tinsley

An established brand name for over 75 years; Sifam Tinsley Instrumentation has an unrivaled pedigree in the industry, our dedicated research and development facility ensures that the latest technology is utilised in our electronic products whilst our traditional analogue range continues to perform through the test of time. Our UK facility completes the picture by enabling the service our customers expect.



Our Vision

To remain in harmony with our customers and continue to meet their ever changing and more demanding requirements.

Our Mission

Sifam Tinsley Instrumentation is proud to offer an unrivalled, dedicated, custom service to our customers by supplying the exact product requirement, on time, every time, from our local UK facility.

Powered by technology
...driven by service

Multifunction Meters

Transducers & Isolators

Temperature Controllers

Converters & Recorders

Digital Panel Meters

Current Transformers

Analogue Panel Meters

Shunts

Digital Multimeters

Clamp Meters

Insulation Testers

Approvals



Sifam Tinsley Instrumentation Ltd

1 Warner Drive
Springwood Industrial Estate
Braintree, Essex
CM7 2YW

Tel: 01376 335271
E-mail: sales@sifamtinsley.co.uk

www.sifamtinsley.co.uk