

GENERAL PURPOSE VALVES



Series 70 >> Model 75

3-Way Directional Control

Super valves that have ratings that formerly required valves of much greater size. Air, water, and other fluids are compatible with standard Buna seals. Hot water, steam, gasoline, and many oils require other seal materials.

- **Largest direct acting (non-piloted) valve we manufacture.**
- **Large orifice.**
- **High flow.**
- **Will operate effectively at very low pressures or vacuum.**

Note: This valve also available as an operator. Refer to following page.

OPERATING CONDITIONS

Media: Air, water, and other fluids are compatible with standard Buna seals. Hot water, steam, gasoline, and many oils require other seal materials. (Series 70 pressure ratings may change due to the viscosity of the liquid.)*

Valve Temperature Range: Standard Valves - 0°F (-18°C) to 104°F (40°C) ambient; 0°F (-18°C) to 150°F (65°C) media. Optional Valves - can tolerate much higher or much lower ambient and media temperatures.*

Maximum Operating Pressure Differentials: See table on next page.

Burst Pressure: 4,000 PSI

Leakage: Bubble tight for standard valves.

Vacuum: To 5 Microns*

ELECTRICAL CHARACTERISTICS

Coil Voltage: 12 to 1150/60, 11 to 1035/50 and 2.5 to 220/DC

Nominal Power: AC – 18.0 Watts, DC – 16.0 Watts

Coil Construction: Molded (Std.), Non-molded Class A and potted Class F. (Class H optional)

Typical Response Time on Air: 4 - 16 Milliseconds

Operating Speed: Up to 600 CPM

Duty Cycle: Continuous

MECHANICAL CHARACTERISTICS

Body: Stainless Steel (Std.) or Brass (Opt.)

Internal Components: Stainless Steel. Copper - AC Only.

Elastomers: Nitrile (Buna) (Std.). Many other elastomers available.*

Orifice Diameter: See table on next page.

Porting: Standard 1/4" NPT (other ports available).*

Housing: Grommet and 1/2" NPT conduit - many options available.*

Listings: Most valves are UL and CSA listed.*

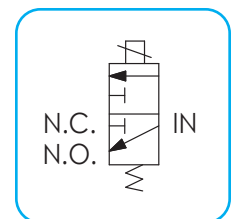
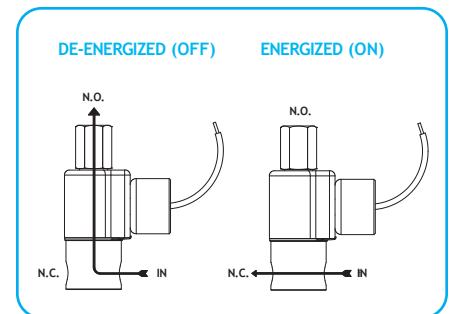
Life Expectancy: Millions of cycles, depending on application, lubrication, etc.

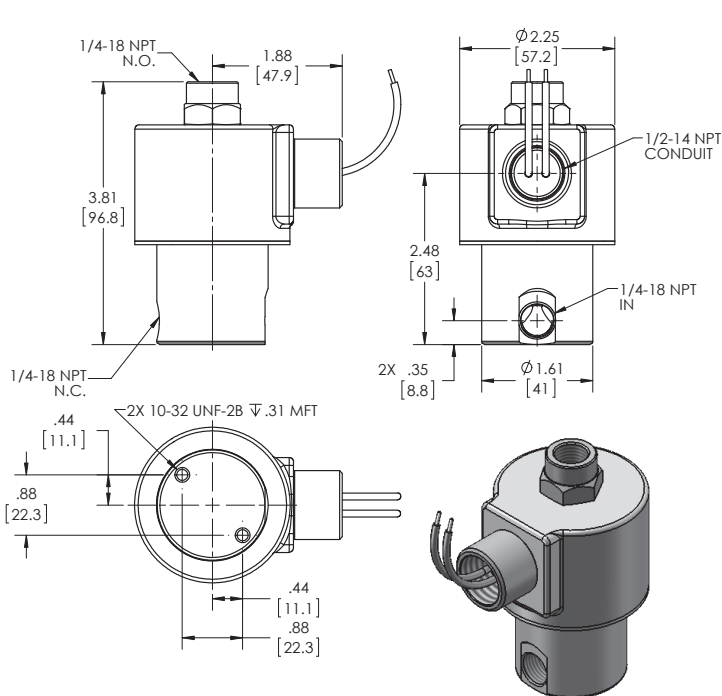
Valve Weight: Grommet Valve: 2.00 lb Conduit Valve: 2.06 lb

Repair Packs: See table on next page.

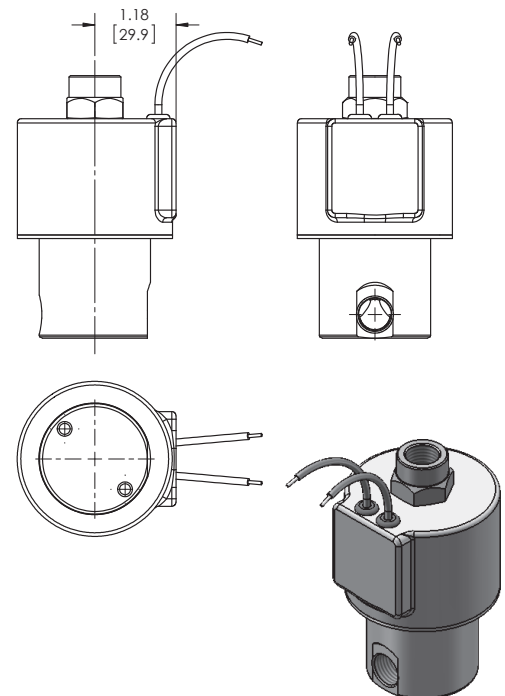
Options: Alternate Port Locations, Metering and Alternate Elastomers

* Consult representative or factory for options and specifications.





**SERIES 70
MODEL 75 1/4-18 NPT
3-WAY DIRECTIONAL CONTROL
CONDUIT CONNECTION**



**SERIES 70
MODEL 75 1/4-18 NPT
3-WAY DIRECTIONAL CONTROL
GROMMET HOUSING WITH LEADS**

VALVE SPECIFICATIONS

MAX. OPER. PRESS. DIFF.		ORIFICE SIZE		CV FACTOR		VALVE NUMBER	
AC	DC	N.C.	N.O.	N.C.	N.O.	GROMMET HOUSING 1/4 NPT PORTS	CONDUIT HOUSING 1/4 NPT PORTS
350	350	1/16	1/16	.09	.09	75JJ9ZGM	75JJ9ZCM
250	250	3/32	3/32	.22	.22	75KK9ZGM	75KK9ZCM
175	175	1/8	1/8	.35	.35	75NN9ZGM	75NN9ZCM
125	125	5/32	5/32	.45	.45	75OO9ZGM	75OO9ZCM
100	100	3/16	3/16	.50	.50	75PP9ZGM	75PP9ZCM

ORDERING INFORMATION:

WHEN ORDERING VALVES OR REPAIR PACKS ADD VOLTAGE AND FREQUENCY TO COMPLETE VALVE NUMBER. EXAMPLES: VALVE (75OO9ZGM 120/60) REPAIR PACK (K75OOX AC)

WHEN ORDERING OPERATORS ADD THE LETTER "O" TO THE FRONT OF THE VALVE NUMBER, REPLACE BODY PORT NUMBER WITH THE LETTER "D": EXAMPLE: OPERATOR (O75OO9ZGM 120/60)