

# HIGH PRESSURE VALVES



## Series 20 >> Model H21

### High Pressure – 2-Way Normally Open

This valve uses a pin style seal. The pin is guided into the orifice. For use on air and other non-corrosive gases, water and oil.

- Kel-F pin sealing element.
- Orifice guides the sealing pin for perfect alignment.
- Simple construction...only three moving parts.

**Note:** This valve also available as an operator. Refer to following page.

## OPERATING CONDITIONS

**Media:** Air and other non-corrosive gasses, water and oil.

**Filtration:** Down to 60 microns or less is recommended.

**Valve Temperature Range:** Standard Valves - 0°F (-18°C) to 104°F (40°C) ambient; 0°F (-18°C) to 150°F (65°C) media. Optional Valves - can tolerate much higher or much lower ambient and media temperatures.\*

**Maximum Operating Pressure Differentials:** See table on next page.

**Burst Pressure:** 10,000 PSI

**Leakage:** Bubble tight

## ELECTRICAL CHARACTERISTICS

**Coil Voltage:** 6, 12, 24, 125/DC

**Nominal Power:** DC – 9.5 Watts

**Coil Construction:** Molded (Std.), Non-molded Class A and potted Class F. (Class H optional)

**Typical Response Time on Air:** 4 - 16 Milliseconds

**Operating Speed:** Up to 600 CPM with gas media

**Duty Cycle:** Continuous

## MECHANICAL CHARACTERISTICS

**Body:** Stainless Steel

**Internal Components:** Stainless Steel

**Sealing Pin:** Kel-F (Std.), Delrin®, Teflon®, Nylon, PEEK, Radel®, Ultem®, 303 Stainless Steel (Opt.)

**Orifice Diameter:** See table on next page.

**Porting:** 1/8" and 1/4" NPT (other ports available).\*

**Housing:** Grommet and 1/2" NPT conduit

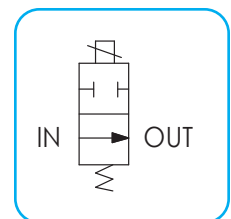
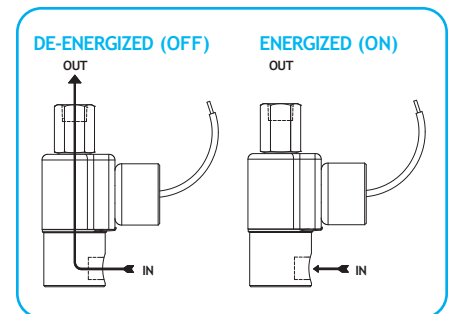
**Life Expectancy:** Millions of cycles, depending on application, lubrication, etc.

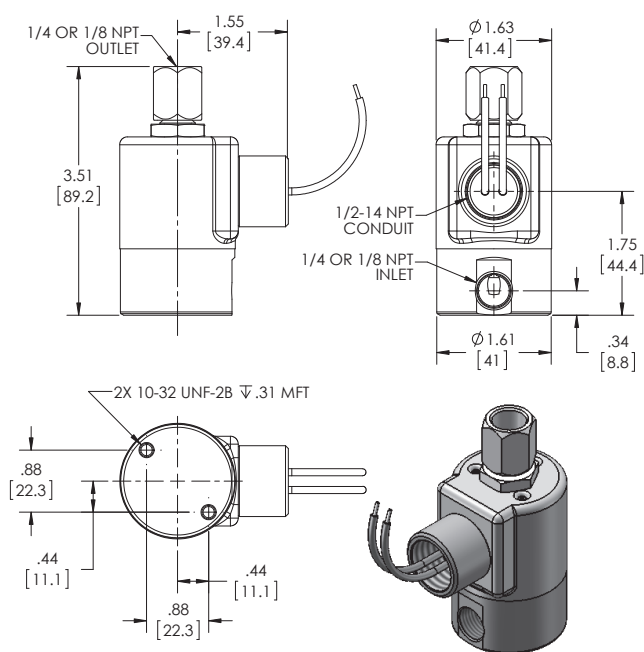
**Valve Weight:** 1.19 lbs

**Repair Packs:** See table on next page.

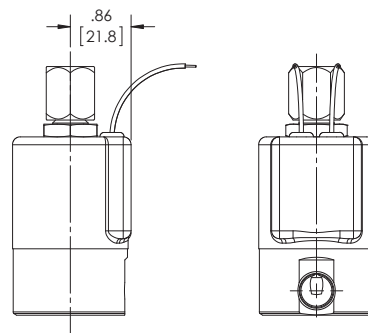
**Options:** Alternate Elastomers, Alternate Sealing Pin Materials, Spade Terminal Coil, and European Style DIN\*

\* Consult representative or factory for options and specifications.





**SERIES 20  
MODEL H21  
2WNO  
CONDUIT CONNECTION**



**SERIES 20  
MODEL 30  
2WNO  
GROMMET HOUSING WITH LEADS**

## VALVE SPECIFICATIONS

MAX. OPER. PRESS. DIFF. DC	ORIFICE SIZE N.O.	CV FACTOR N.O.	VALVE NUMBER			
			GROMMET HOUSING		CONDUIT HOUSING	
			1/8 NPT PORTS	1/4 NPT PORTS	1/8 NPT PORTS	1/4 NPT PORTS
2000*	.6mm	.010	H21M7XGM	H21M9ZGM	H21M7XCM	H21M9ZCM

\* FKM seals not recommended for pressure above 500 psi.

### ORDERING INFORMATION:

WHEN ORDERING VALVES OR REPAIR PACKS ADD VOLTAGE AND FREQUENCY TO COMPLETE VALVE NUMBER. EXAMPLES: VALVE (H21M7XGV 120/60) REPAIR PACK (KH21MX AC)

WHEN ORDERING OPERATORS ADD THE LETTER "O" TO THE FRONT OF THE VALVE NUMBER, REPLACE BODY PORT NUMBER WITH THE LETTER "D": EXAMPLE: OPERATOR (QH21M7DGV 120/60)