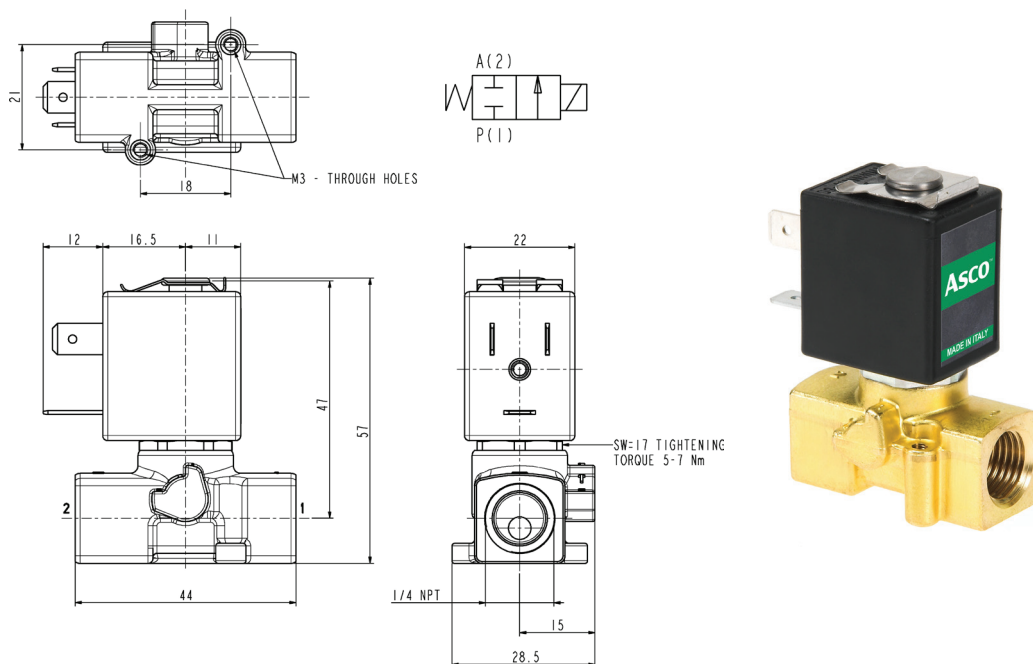


ASCO™ SOLENOID VALVE

2/2 NORMALLY CLOSED – DIRECT ACTING - 1/4 NPT

SERIES
L176-NPT



General Features

Direct acting solenoid valve.

Suitable to shut off liquid and gaseous fluids (verify the compatibility of fluid with material in contact).

Technical Features	
Maximum allowable pressure (PS)	50bar
Opening time	~10ms
Closing time	~10ms
Fluid temperature	-10°C +140°C
Max viscosity	5°E (~37 cStokes or mm ² /s)

Materials in Contact with Fluid	
Body	Stainless steel AISI 316
Sealing	EPDM
Internal components	Stainless steel
Seat	Stainless steel AISI 316
Core tube	Stainless steel
Shading coil	Pure silver

Coil	ZB12A	ZB14A
According to standards	UL and CSA	
Encapsulation material	PET (polyethylene-terephthalate) fiberglass reinforced	
Insulation class	F (155°C)	H (180°C)
Ambient temperature	-10°C +60°C	-10°C +75°C
Continuous duty	ED 100%	
Electric connection	DIN 46340 - 3 poles plug connector	
Protection degree	IP 67 (EN 60529) with plug connector	
Voltages	DC	12-24V (+10% -5%)
	AC	24V/50-60Hz - 115V/50Hz - 230V/50-60Hz (+10% -15%) (Other voltages and frequencies on request)

Port size NPT	Orifice size (mm)	Differential pressure (bar)				Kv (m ³ /h)	Series and type		Power absorption				Sealings	Notes	Weight (kg)	
		Δp min	Δp max				Valve	Coil	AC (VA)			DC				
			Gases		Liquids				Inrush	Holding						
AC	DC	AC	DC	VA	VA	W	W									
1/4	2,4	0	12	4	12	4	L176P08	ZB12A ZB14A	12	6	4	5,5	EPDM	1		
	2,7		7	1,5	7	1,5										

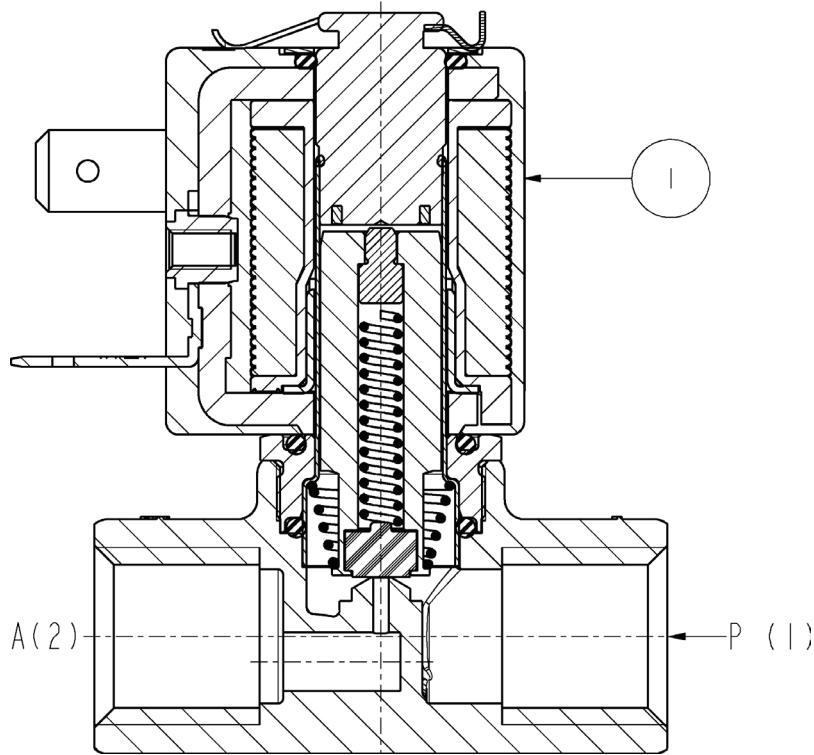
Notes

- Sealings: EPDM = ethylene-propylene elastomer (NSF-WRASKTW-ACS approved)
- ZB12 and ZB14 coils fitted with sealing gaskets underneath and on the upper part (see sectional view on the back)

SERIES
L176-NPT

ASCO™ SOLENOID VALVE
2/2 NORMALLY CLOSED – DIRECT ACTING - 1/4 NPT

Spare Parts



Kit description	Kit P.N.	Consisting of:
Coil	ZB12A ZB14A	Coil pos. 1

Installation

- Solenoid valve can be mounted in any position; vertical with coil upwards preferred.

THE VALIDITY OF REPORTED DATA IS REFERRED TO THE DATE OF ISSUE. POSSIBLE UPDATES ARE AVAILABLE ON REQUEST