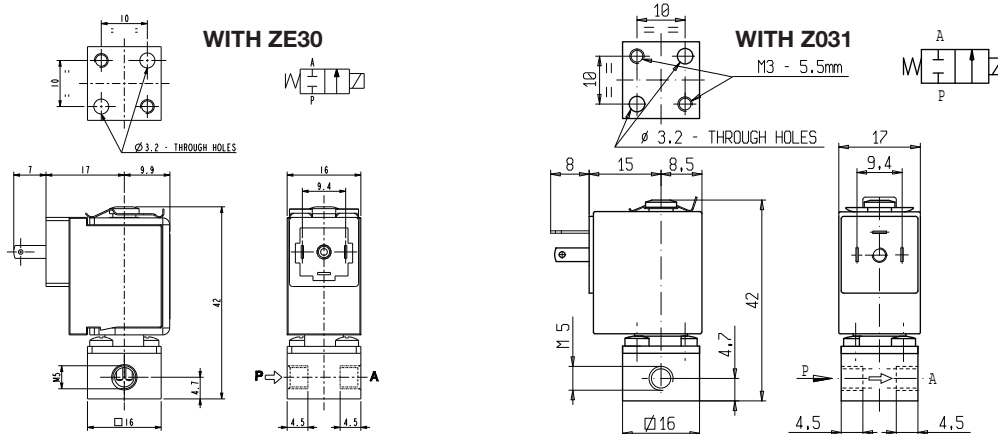


# ASCO™ MICRO SOLENOID VALVE

## 2/2 NORMALLY CLOSED – DIRECT ACTING - M5

**SERIES**  
**V165**



### General Features

Direct acting micro solenoid valve; minimum overall dimensions.

Quick response time and high number of cycles.

Suitable to shut off liquid and gaseous fluids (verify the compatibility of fluid with materials in contact).

Technical Features	
Maximum allowable pressure (PS)	16 bar
Opening time	from ~ 5ms to ~ 10ms
Closing time	from ~ 5ms to ~ 10ms
Fluid temperature	0°C +130°C (FPM) 0°C +140°C (FFPM) -10°C +90°C (HNBR)
Max viscosity	3°E (~22 cStokes or mm <sup>2</sup> /s)

Materials in Contact with Fluid	
Body	Brass (see notes)
Sealing	FPM or FFPM or HNBR
Internal components	Stainless steel
Seat	Brass
Guide assembly	Stainless steel
Shading ring (only for V165V02)	Copper

Coil		ZE30	Z031
Continuous duty		ED 100%	
Encapsulation material		PA (Polyamide) fiberglass reinforced	
Insulation class		F (155°C)	
Ambient temperature		-10°C +60°C	
Electric connection		DIN 46340	DIN 46340 – 3 micro-poles connectors
Protection degree		IP65 (EN 60529) with plug micro-connector	
Voltages	DC	12-24V (+10% - 5%)	
	AC	24V/50Hz (+10% -15%) (Other voltages and frequencies on request. - AC: max 24V)	

Port size	Orifice size (mm)	Differential pressure (bar)				Kv (m <sup>3</sup> /h)	Series and type		Power absorption			Sealings	Notes	Weight (kg)	
		Δp min	Δp max				Valve	Coil	AC (VA)		DC (W)				
			Gases		Liquids				Inrush	Holding					
M5	1,1	0	-	0,5	-	0,5	V165V03	ZE30L	-	-	0,5	FPM	-	0,060	
			14	10	14	10	V165V02	Z031C / ZE30C	4	3	2,5				
			-	14	-	14	V165V04	ZE30C	-	-					
			8	4	8	4	V165V01	ZE30A	-	-	4				
			5	1,5	5	1,5	V165V02	Z031A / ZE30A	6	5					
	2		-	4	-	4	V165V01	ZE30C	4	3	2,5	FPM	-		
			8	4	8	4	V165V02	Z031C / ZE30C	4	3					
			-	4	-	4	V165V01	ZE30A	-	-	4	FFPM			
			8	4	8	4	V165V02	Z031A / ZE30A	6	5					
			5	1,5	5	1,5	V165V01	ZE30C	4	3	2,5	FPM			

### Notes

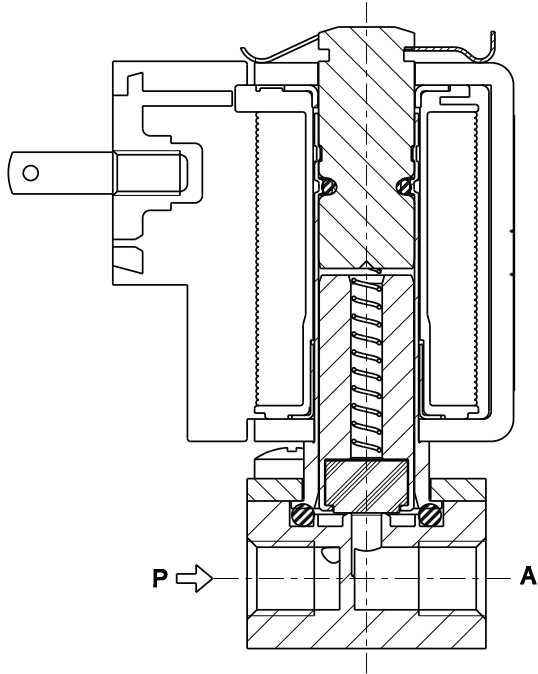
- These micro-solenoid valves are not suitable for stagnating media subject to vaporization which deposit solid, calcareous, incrusting residues or similar.
- Seal: FPM = Fluoro-carbon elastomer FFPM = Perfluorate elastomer HNBR = Hydrogenated nitrile-butylene elastomer
- 1 - Solenoid valves with body and bonnet in chemically nickel plated brass (Ni-P).
- 2 - Particularly suitable to shut off refrigerating fluids (version available on request)

**SERIES  
V165**

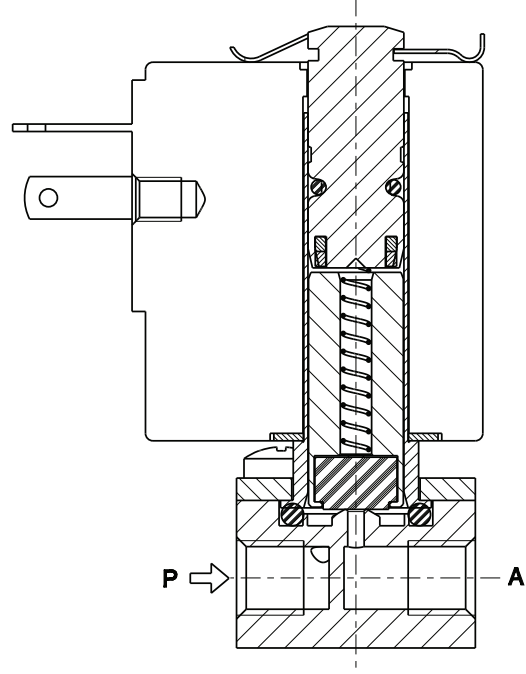
**ASCO™ MICRO SOLENOID VALVE**  
2/2 NORMALLY CLOSED – DIRECT ACTING - M5

**Spare Parts**

WITH ZE30



WITH Z031



**Installation**

- Solenoid valve can be mounted in any position; vertical with coil upwards preferred.

THE VALIDITY OF REPORTED DATA IS REFERRED TO THE DATE OF ISSUE. POSSIBLE UPDATES ARE AVAILABLE ON REQUEST