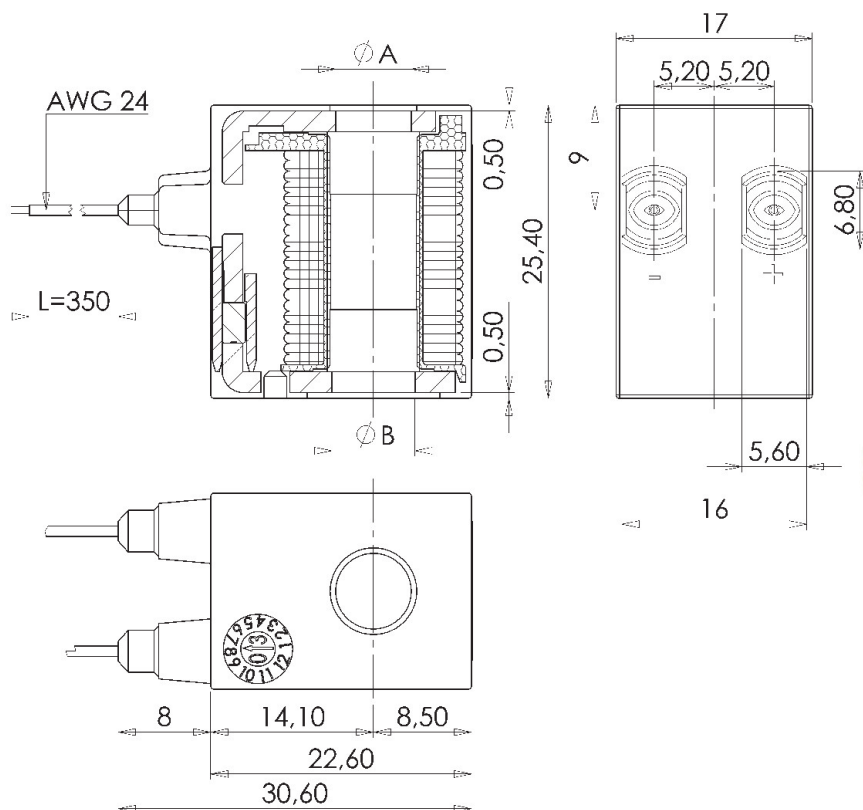


ASCO™ COIL

FLYING LEADS

SERIES Z075



General Features

Complying with 73/23/EC (Low Voltage), 2004/108/EC (EMC) directives and relative modification.
Complying with VDE 0580 standard (100% inspected).

Electric Connections

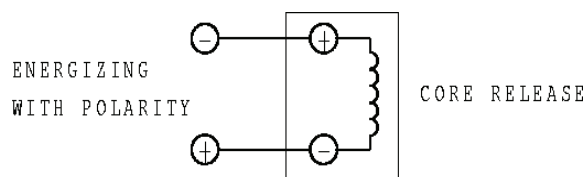
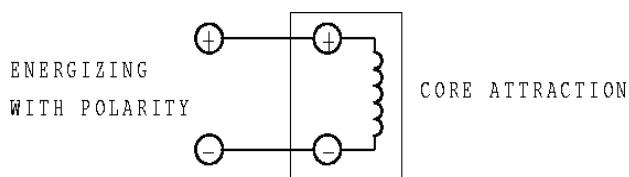
N° 2 wires AWG 24 length 350 mm.

Encapsulation Materials

PP-V0 (Self-extinguishing polypropylene); black colour.

Technical Features

Insulation class	A (105°C)	
Ambient temperature	-10°C +60°C	
Protection degree	IP 66 (EN 60529)	
Voltages	DC	6-12V (+10% -10%)
		(Other voltages on request)



Type	Power absorption			Holes		Notes	Weight (kg)
	AC (VA)		DC (W)	Ø A	Ø B		
	Inrush	Holding					
Z075M	-	-	1,2	6,5	7,2	-	0,035

THE VALIDITY OF REPORTED DATA IS REFERRED TO THE DATE OF ISSUE. POSSIBLE UPDATES ARE AVAILABLE ON REQUEST