

# D02 gG 20A/400V



## Specifications

ETI Code	002212001
Description	D02 gG 20A/400V
Class name	Fuse link
Rated current (A)	20A
Size	D02
Type	D0
Rated AC voltage (V)	400V
Rated DC voltage (V)	250V
Characteristics	gG
Breaking capacity AC (kA)	50kA
Breaking capacity DC (kA)	8kA
Application	For cable protection
Indicator	Top fuse status indicator
Power dissipation (W)	2.7W
Operating joule integral (A2s)	1800
Prearcing joule integral (A2s)	740
Standards	DIN EN 60269-1,DIN EN 60269-3
efuse	1

[Online product page](#) 

## Other documentation



[Technical data catalogue](#)

[3D Model](#)

[2D File](#)

[Instruction manual](#)

[CE declaration](#)

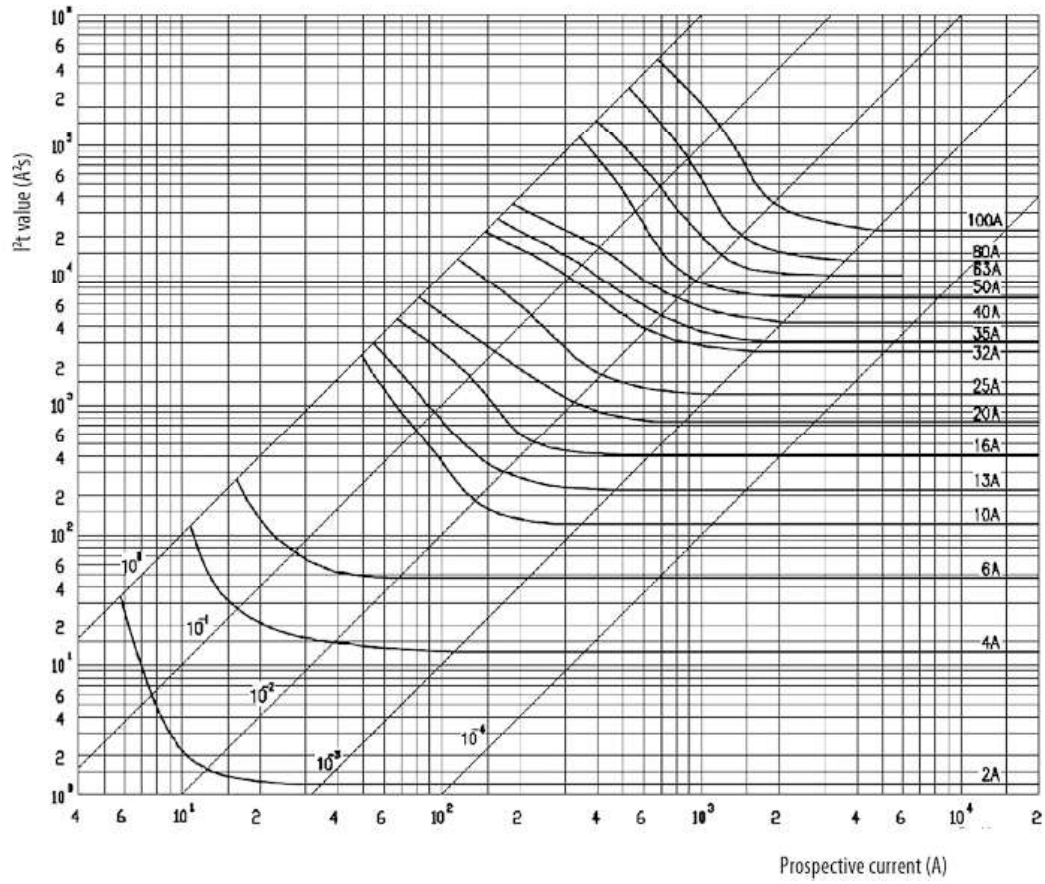
[Eplan file](#)

## ETIM international clasification

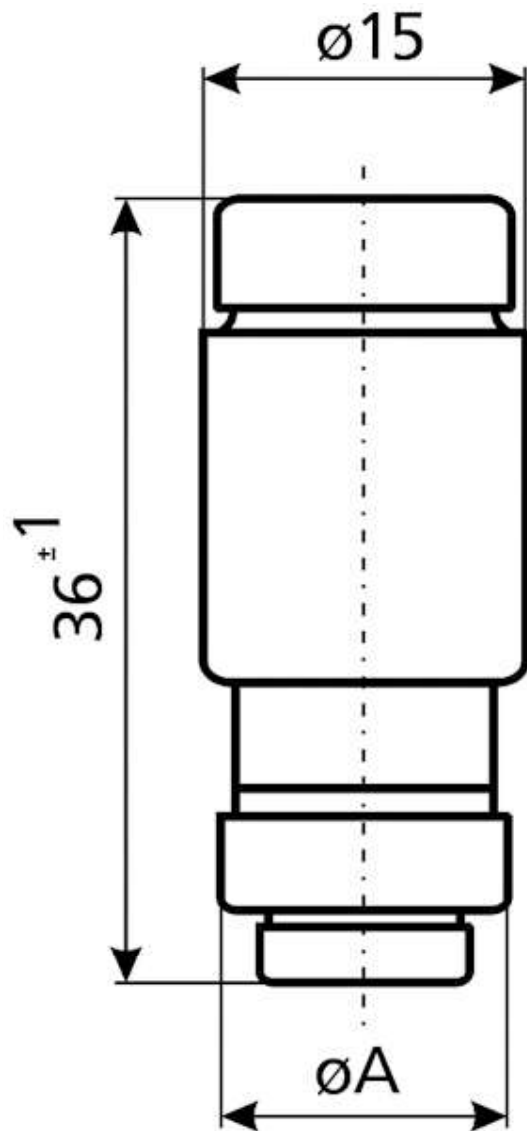
Classification	EC001642
Class name	D0-system fuse link
Construction size	D02
Rated current	20A
Rated voltage	400V
Colour code	Blue

# Melting energy characteristics

Melting energy characteristics I<sup>2</sup>t



## Dimension drawing



$l_n$ [A]	$\varnothing A$
20	10,9
25	12,1
32	13,3
35	13,3
40	13,3
50	14,5
63	15,9

# Cut-off current characteristics

Cut-off current characteristics

