

Part number

MZO 25 L25



Hood, IL-BRID series, with 2 pegs, M25 side cable entry, size "66.16"

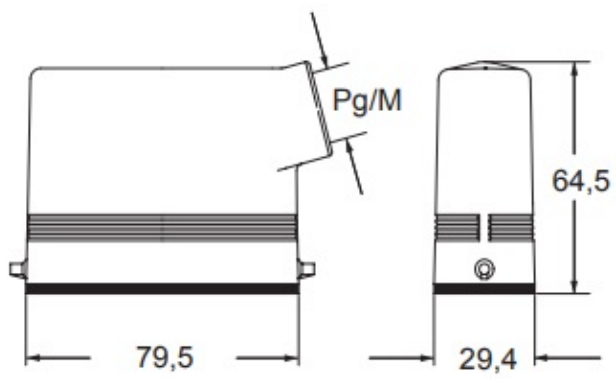
Product description		Material properties	
Product type	Hood	Colour	RAL 7040 grey
Series	IL-BRID	RoHs conformity	Compliant
Closing type	With 2 pegs	China RoHs - EFUP	E
Size	Size "66.16"	REACH SVHC substances	No
Cable entry	Side cable entry with adapter M25	Approvals / Standards	
Technical data		UL	ECBT2
IP degree of protection	IP65 / IP66 / IP69	cUL	ECBT8
Further technical details		General ordering information	
Weight	110,00 g	EAN13 code	8015747060325
Operating temperature range (min, max)	-40°C...+125°C	eCl@ss 8.1	27440202
		ETIM 7.0	EC000437
		Packaging Information	
		Packaging length	210,00 mm
		Packaging height	75,00 mm
		Packaging width	180,00 mm
		Packaging weight	2,10 kg
		Packaging volume	2,84 dm ³
		Packaging description	Carton box
		Packaging quantity	20 Pcs
		Packaging EAN code	8015747208512
		Sub-packaging weight	0,53 kg
		Sub-packaging description	Plastic packaging
		Sub-packaging quantity	5 Pcs
		Sub-packaging EAN barcode	8015747208529

Part number

MZO 25 L25



Catalogue drawings



Notes

Dimensions shown in mm are not binding and may be changed without notice.
