

# Cassette tipo EU

## Junction Box type EU



### Settori di Impiego / Areas of application



### DESCRIZIONE / DESCRIPTION

Cassette pressofuse in alluminio successivamente sabbiate o verniciate grigio RAL 7035 e RAL 9006. Pareti lisce con spessore superiore a 3 mm pertanto adatte alla foratura e alla filettatura. Predisposizione all'applicazione sul fondo delle cassette di profilati tipo DIN 46227 o di morsettiere. Inoltre, dispongono anche di una o più viti per la messa a terra. Nelle cassette sono ricavate guide per l'inserimento di schede o circuiti stampati. Possibilità di fissaggio delle cassette tramite fori esterni al perimetro della guarnizione. Le viti del coperchio sono in acciaio inox e le guarnizioni sono realizzate in neoprene. Il grado di protezione certificato (a contenitore completo) è IP 65 con temperature di esercizio tra -20°C e +100°C.

*Enclosures manufactured in die-cast aluminium alloy and then sandblasted or varnished in grey RAL 7035 and RAL 9006. They have smooth walls thicker than 3 mm which can be therefore threaded. On their bottom, it is possible to fix sections type DIN 46227 or terminal boards. They have one or more grounding screws inside. It is possible to fix the enclosures by means of holes external to gasket perimeter. Inspection cover's screws are manufactured in stainless steel. Supplied with neoprene gasket. IP65 protection degree (certified with complete enclosure) and temperature range from -20°C and +100°C.*

### DATI TECNICI / TECHNICAL DATA

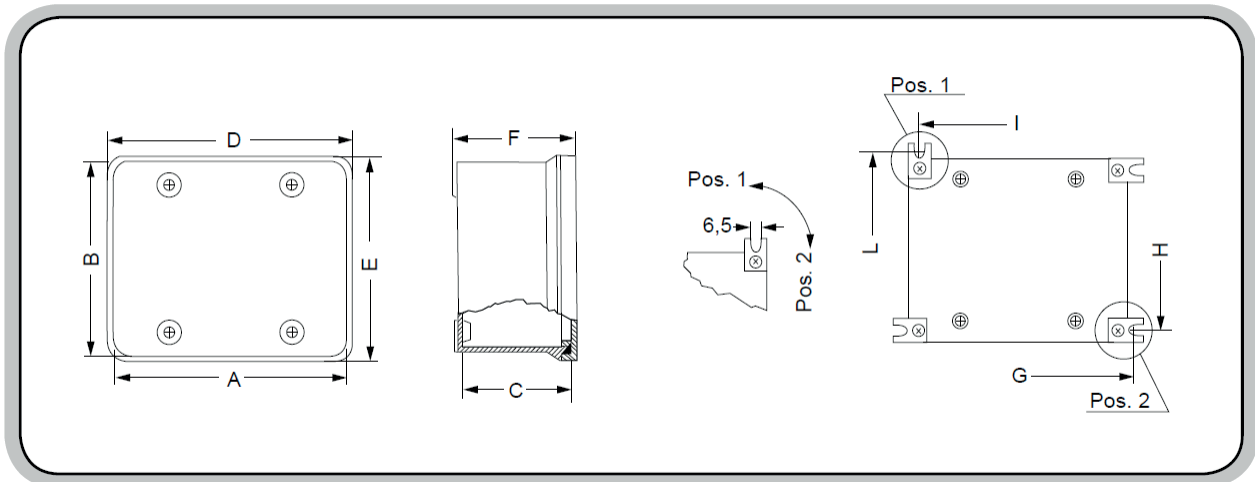
Materiale / Material	Alluminio pressofuso / Die-cast aluminium
Rivestimento / Covering	Verniciata o sabbata / Varnished or sandblasted
Spessore parete / Wall thickness	+3 mm
Temperatura di Esercizio / Temperature Range	-20°C / +100°C
Accessori / Accessories	Viti di messa a terra - Guarnizioni / Grounding screws - Gaskets
Grado di Protezione / IP Rating	IP 65

# Cassette tipo EU

## Junction Box type EU



disegno dimensionale / reference details



### Settori di Impiego / Areas of application



Codice Code	A	B	C	D	E	F	Piedini posizione 2 Feet position 2		Piedini posizione 2 Feet position 2	
							G	H	I	L
EU070	65,0	65,0	43,0	70,0	70,0	45,0	-	-	-	-
EU100	95,0	50,0	50,5	100,0	55,0	55,0	-	-	-	-
EU102	102,0	102,0	65,0	106,0	106,0	71,0	111,0	82,0	82,0	111,0
EU135	135,0	110,0	65,0	142,0	117,0	71,0	144,0	89,0	114,0	119,0
EU160	160,0	135,0	74,0	167,0	142,0	81,0	170,0	115,0	140,0	145,0
EU 185	185,0	160,0	89,0	192,0	167,0	96,0	195,0	139,0	164,0	169,0
EU245	245,0	210,0	94,0	254,0	219,0	101,0	254,0	189,0	224,0	219,0
EU295	295,0	255,0	117,0	302,0	262,0	130,0	302,0	232,0	272,0	262,0