

Part number

CKAX 03 IA



Angled Bulkhead mounting housing, CKA series, with 1 lever without cable entry, size "21.21"

Product description	
Product type	Angled bulkhead mounting housing
Series	CKA
Closing type	With 1 lever
Size	Size "21.21"
Cable entry	Without cable entry
Technical data	
IP degree of protection	IP44 - IP66 / IP67 / IP69 with CKR 65 (D)
Further technical details	
Weight	48,00 g
Operating temperature range (min, max)	-40°C...+125°C

Material properties	
Main material	Zinc die-cast
Colour	RAL 7040 grey
RoHs conformity	Compliant
China RoHs - EFUP	E
REACH SVHC substances	No
Approvals / Standards	
UL	ECBT2
cUL	ECBT8
General ordering information	
EAN13 code	8015747027533
eCl@ss 8.1	27440202
ETIM 7.0	EC000437
Packaging Information	
Packaging length	330,00 mm
Packaging height	230,00 mm
Packaging width	205,00 mm
Packaging weight	5,56 kg
Packaging volume	15,56 dm ³
Packaging description	Carton box
Packaging quantity	100 Pcs
Packaging EAN code	8015747233996
Sub-packaging length	185,00 mm
Sub-packaging height	40,00 mm
Sub-packaging width	155,00 mm
Sub-packaging weight	0,56 kg
Sub-packaging volume	1,15 dm ³
Sub-packaging description	Carton box
Sub-packaging quantity	10 Pcs
Sub-packaging EAN barcode	8015747027540

Part number

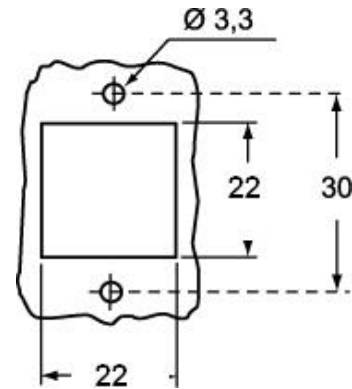
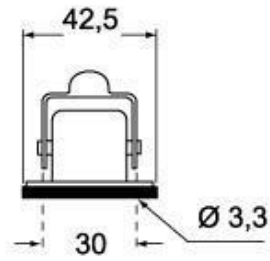
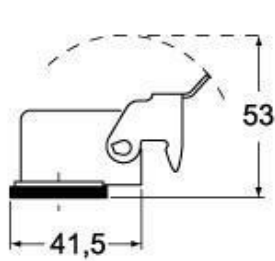
CKAX 03 IA



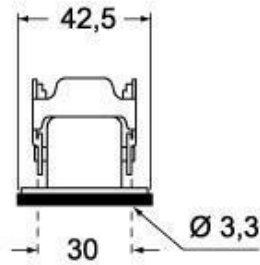
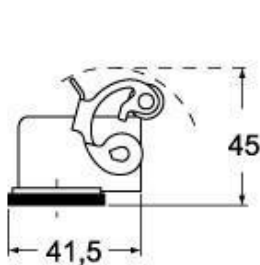
Catalogue drawings

Catalogue drawings

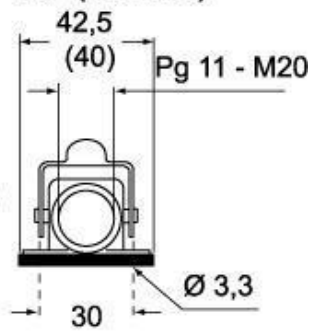
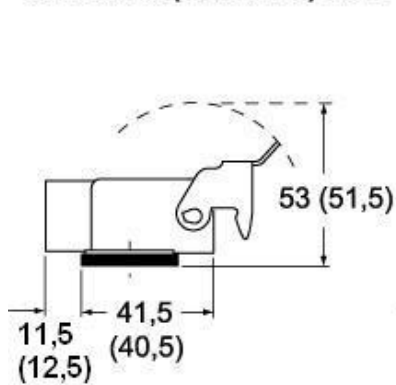
CKA IA



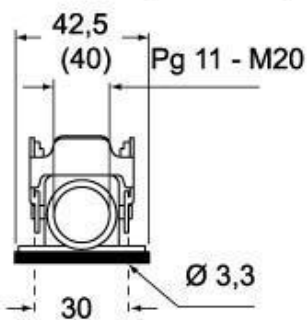
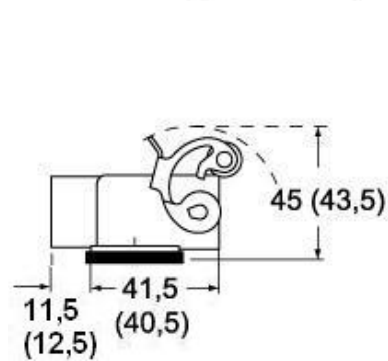
CKAX IA



CKA IAPS (CKA APS) MKA - IAP (MKA AP)



CKAX IAPS (CKAX APS) - MKAX IAP (MKAX AP)



Notes

Dimensions shown in mm are not binding and may be changed without notice.
