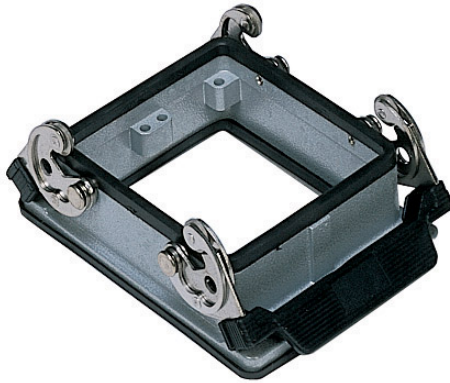


Part number
CHI 32



Bulkhead mounting housing, C-TYPE series,
with 2 levers, size "77.62"



Product description

Product type	Bulkhead mounting housing
Series	C-TYPE
Closing type	With 2 levers
Size	Size "77.62"

Technical data

IP degree of protection	IP65 / IP66 / IP69
--------------------------------	--------------------

Further technical details

Weight	256,00 g
Operating temperature range (min, max)	-40°C...+125°C

Material properties

Colour	RAL 7040 grey
RoHs conformity	Compliant
China RoHs - EFUP	E
REACH SVHC substances	No

Approvals / Standards

Certifications	DNV, BV
UL	ECBT2
cUL	ECBT8

General ordering information

EAN13 code	8015747018494
eCl@ss 8.1	27440202
ETIM 7.0	EC000437

Packaging Information

Packaging length	225,00 mm
Packaging height	130,00 mm
Packaging width	150,00 mm
Packaging weight	1,20 kg
Packaging volume	4,39 dm ³
Packaging description	Carton box
Packaging quantity	4 Pcs
Packaging EAN code	8015747212854
Sub-packaging weight	0,30 kg
Sub-packaging description	Plastic packaging
Sub-packaging quantity	1 Pcs
Sub-packaging EAN barcode	8015747018517

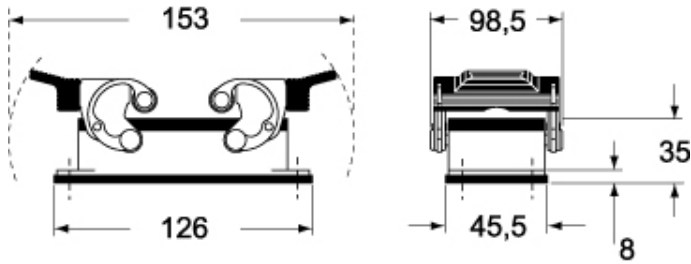
Part number

CHI 32

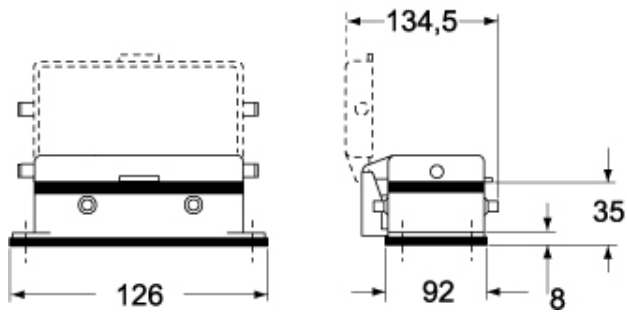


Catalogue drawings

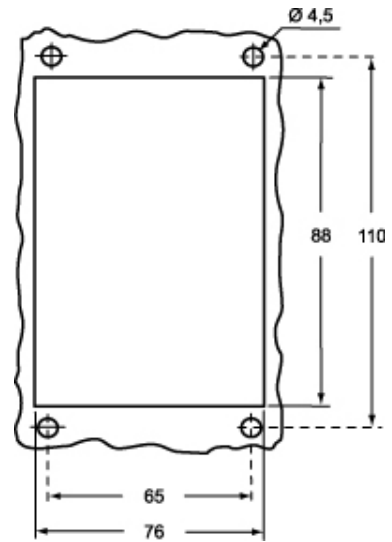
CHI



CHI CS/CP



Catalogue drawings



Notes

Dimensions shown in mm are not binding and may be changed without notice.