

Part number

CHI 06 L



Bulkhead mounting housing, C-TYPE series,
with 1 lever, size "44.27"

Product description

Product type	Bulkhead mounting housing
Series	C-TYPE
Closing type	With 1 lever
Size	Size "44.27"

Technical data

IP degree of protection	IP65 / IP66 / IP69
--------------------------------	--------------------

Further technical details

Weight	106,30 g
Operating temperature range (min, max)	-40°C...+125°C

Material properties

Colour	RAL 7040 grey
RoHs conformity	Compliant
China RoHs - EFUP	E
REACH SVHC substances	No

Approvals / Standards

Certifications	DNV, BV
UL	ECBT2
cUL	ECBT8

General ordering information

EAN13 code	8015747017138
eCl@ss 8.1	27440202
ETIM 7.0	EC000437

Packaging Information

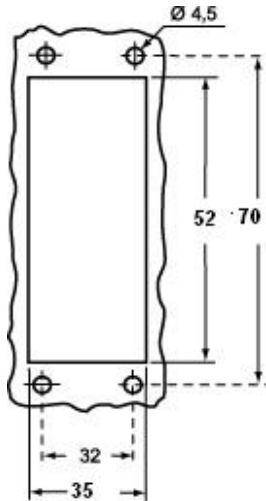
Packaging length	420,00 mm
Packaging height	230,00 mm
Packaging width	315,00 mm
Packaging weight	5,08 kg
Packaging volume	30,43 dm ³
Packaging description	Carton box
Packaging quantity	40 Pcs
Packaging EAN code	8015747017145
Sub-packaging weight	0,64 kg
Sub-packaging description	Plastic packaging
Sub-packaging quantity	5 Pcs
Sub-packaging EAN barcode	8015747017152

Part number

CHI 06 L

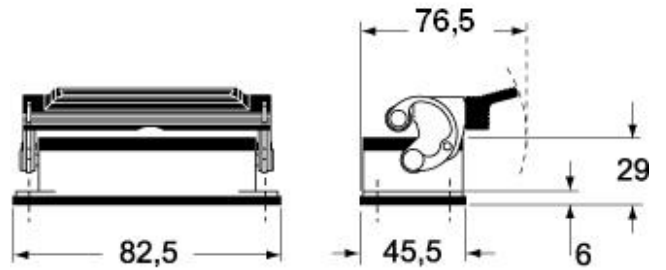


Catalogue drawings

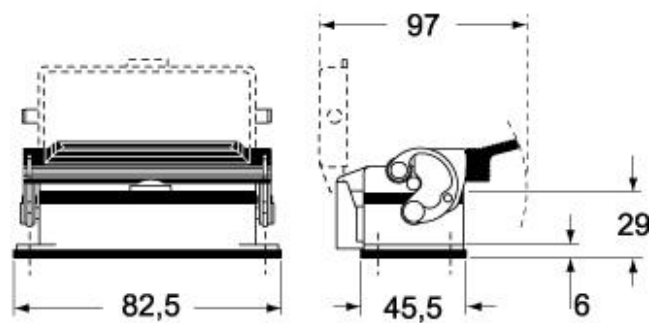


Catalogue drawings

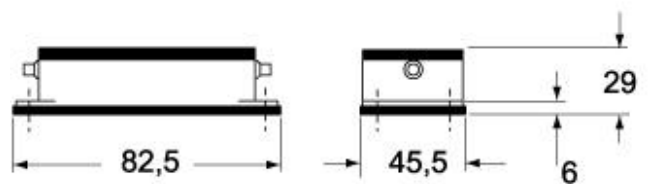
CHI L



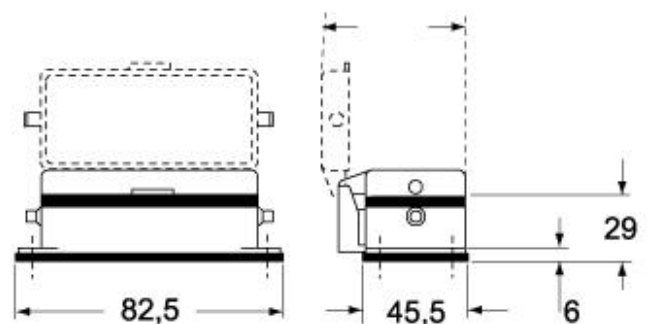
CHI LS



CHI LC



CHI LCS/LCP



Notes

Dimensions shown in mm are not binding and may be changed without notice.
