


Part number

CDAF 10 X



Female insert, CDA series, screw terminal connection, 10 poles + PE, 16 A 250 V 4 kV 3, size "49.16", without plate

Product description		Material properties	
Product type	Insert	Main material	Polycarbonate (PC)
Series	CDA	Other materials	Contacts: copper alloy
Connection type	Screw terminal connection	Colour	RAL 7032 grey
Gender	Female		Compliant with exemption
N. of poles	10 poles + 	RoHs conformity	6(c): copper alloy containing up to 4% lead by weight
Size	Size "49.16"	China RoHs - EFUP	50
Specification	Without plate	REACH SVHC substances	Yes Lead
Technical data		SCIP number	1a9c93ff-0445-4a16-81e3-1609ac5274d6
Current	16 A	Approvals / Standards	
Voltage	250 V	Reference standard	EN 61984:2009-06
Rated impulse withstand voltage	4 kV	Certifications	CSA, CQC, DNV, BV, EAC
Pollution degree	3	UL	ECBT2
Rated voltage according to UL/CSA	600 V	cUL	ECBT8
Wire cross-section	0,25 mm ² - 2,50 mm ²	General ordering information	
AWG size	24 - 14	EAN13 code	8015747013024
Contact type	Turned silver plated	eCl@ss 8.1	27440205
IP degree of protection	IP20 without enclosure, IP65/IP66 with enclosure	ETIM 7.0	EC000438
Further technical details		Packaging Information	
Characteristics according to EN 61984	16A 250V 4kV 3; 16A 230/400V 4kV 2	Packaging weight	1,50 kg
Mating cycles	≥ 500	Packaging volume	3,29 dm ³
Insulation resistance	≥ 10 GΩ	Packaging description	Carton box
Contact resistance	≤ 1 mΩ	Packaging quantity	30 Pcs
Weight	44,00 g	Packaging EAN code	8015747013031
Operating temperature range (min, max)	-40 °C ... +125 °C	Sub-packaging weight	0,25 kg
UL 94 flammability rating	V-0	Sub-packaging description	Carton tray
Torque for main contact	M3: 0,5 Nm; 4,4 lb.in (Ph0 or 0,6 x 3,5 mm)	Sub-packaging quantity	5 Pcs
Tightening torque for PE connection	M3,5: 0,8 Nm; 7,1 lb.in (Ph1 or 0,8 x 5,5 mm)	Sub-packaging EAN barcode	8015747013048

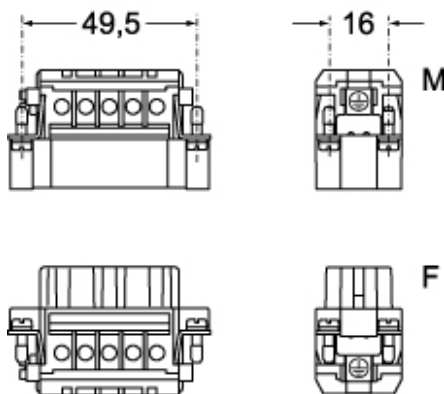
Part number

CDAF 10 X

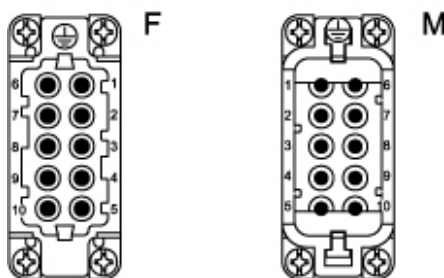


Catalogue drawings

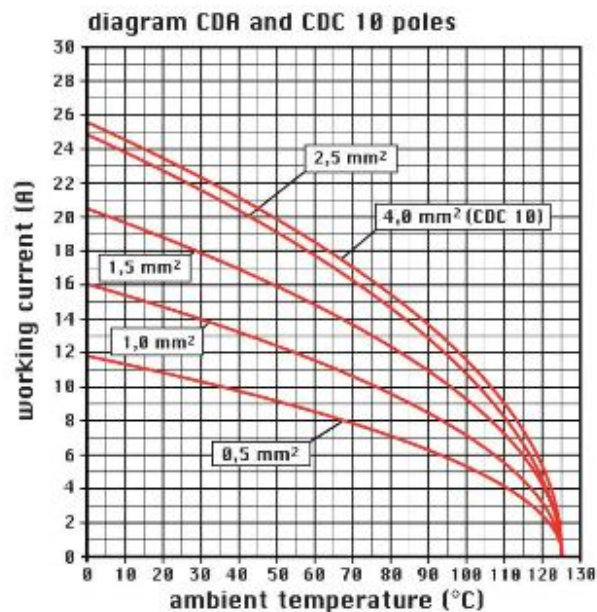
CDAM 10



CDAF 10



Catalogue drawings



Notes

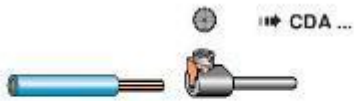
Dimensions shown in mm are not binding and may be changed without notice.

California Proposition 65 Information



WARNING

This product can expose you to lead and its compounds, known to the State of California to cause cancer and/or reproductive toxicity. For more information go to www.P65Warnings.ca.gov.



CDA ... X : for conductors with bush terminal

California Proposition 65 Information



WARNING

This product can expose you to lead and its compounds, known to the State of California to cause cancer and/or reproductive toxicity. For more information go to www.P65Warnings.ca.gov.
