

Part number

CCFA 2.5



Female crimp contact, CC series, 16 A, turned silver plated, wire cross section 2,5 mm², AWG 14

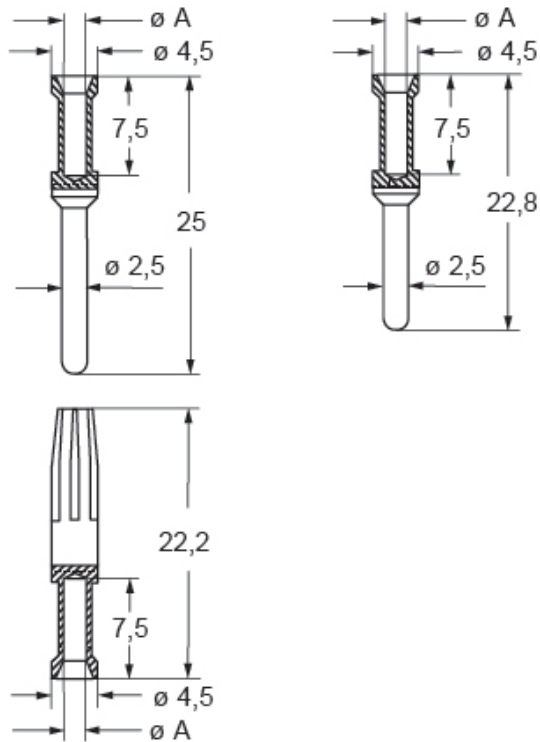
Product description		Material properties	
Product type	Crimp contact	SCIP number	C0979fba-9907-458f-a94a-db781440f273
Series	CC	Approvals / Standards	
Gender	Female	Certifications	CSA, EAC
Technical data		UL	ECBT2
Current	16 A	General ordering information	
Wire cross-section	2,50 mm ²	EAN13 code	8015747011716
AWG size	14	eCl@ss 8.1	27440204
Contact type	Turned silver plated	ETIM 7.0	EC000796
Further technical details		Packaging Information	
Weight	1,60 g	Packaging length	112,00 mm
Conductors stripping length	7,5 mm	Packaging height	95,00 mm
		Packaging width	117,00 mm
		Packaging weight	1,49 kg
		Packaging volume	1,24 dm ³
		Packaging description	Carton box
		Packaging quantity	800 Pcs
		Packaging EAN code	8015747103855
		Sub-packaging length	50,00 mm
		Sub-packaging height	44,00 mm
		Sub-packaging width	50,00 mm
		Sub-packaging weight	0,19 kg
		Sub-packaging volume	0,11 dm ³
		Sub-packaging description	Plastic box
		Sub-packaging quantity	100 Pcs
		Sub-packaging EAN barcode	8015747011723

Part number

CCFA 2.5



Catalogue drawings



CCF, CCM and CC..AN contacts

conductor section mm ²	conductor slot $\varnothing A$ (mm)	conductors stripping length (mm)
0,14-0,37	0,9	7,5
0,5	1,1	7,5
0,75	1,3	7,5
1,0	1,45	7,5
1,5	1,8	7,5
2,5	2,2	7,5
3	2,55	7,5
4	2,85	7,5

Notes

Dimensions shown in mm are not binding and may be changed without notice.

California Proposition 65 Information



WARNING

This product can expose you to lead and its compounds, known to the State of California to cause cancer and/or reproductive toxicity. For more information go to www.P65Warnings.ca.gov.
