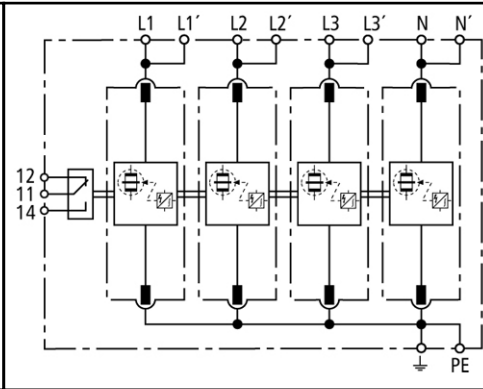


Dimension drawing DV M TNS 255 (FM)



Basic circuit diagram DV M TNS 255 FM



Prewired combined spark-gap-based lightning current and surge arrester consisting of a base part and plug-in protection modules

Maximum system availability due to RADAX Flow follow current limitation

No tripping of 20 A gL/gG fuses up to 50 kA_{rms} short-circuit currents

Lightning current discharge capacity: 100 kA (10/350 μs)

Protection of terminal equipment

Fault indication by red indicator flag in window

Easy replacement of protection modules due to module locking system with release button

Vibration- and shock-tested acc. to EN 60068-2

DV M TNS 255	
SPD according to EN 61643-11 / ... IEC 61643-1	Type 1 / Class I
Energy-coordinated protection effect with regard to the terminal equipment	Type 1 + Type 2
Energy-coordinated protection effect with regard to the terminal equipment (≤ 5m)	Type 1 + Type 2 + Type 3
Nominal a.c. voltage [U _N]	230 / 400 V
Max. continuous operating a.c. voltage [U _C]	255 V
Lightning impulse current (10/350 μs) [L1+L2+L3+N-PE] [I _{total}]	100 kA
Specific energy [L1+L2+L3+N-PE] [W/R]	2.50 MJ/ohms
Lightning impulse current (10/350 μs) [L, N-PE] [I _{imp}]	25 kA
Specific energy [L,N-PE] [W/R]	156.25 kJ/ohms
Nominal discharge current (8/20 μs) [I _n]	25 / 100 kA
Voltage protection level [L-PE]/[N-PE] [U _{p1}]	≤ 1.5 kV / ≤ 1.5 kV
Follow current extinguishing capability a.c. [I _{fl}]	50 kA _{rms}
Follow current limitation/Selectivity	no tripping of a 20 A gL/gG fuse up to 50 kA _{rms} (prosp.)
Response time [t _{A1}]	≤ 100 ns
Max. backup fuse (L) up to I _K = 50 kA _{rms}	315 A gL/gG
Max. backup fuse (L) for I _K > 50 kA _{rms}	200 A gL/gG
Max. backup fuse (L-L')	125 A gL/gG
Temporary overvoltage (TOV) [L-N] [U _{T1}]	440 V / 5 sec.
TOV characteristics	withstand
Operating temperature range [parallel]/[continuity] [T _{U1}]	-40°C...+80°C / -40°C...+60°C
Operating state/fault indication	green / red
Number of ports	1
Cross-sectional area (L1, L1', L2, L2', L3, L3', N, N', PE, ⚡) [min.]	10 mm ² solid/flexible
Cross-sectional area (L1, L2, L3, N, PE) [max.]	50 mm ² stranded/35 mm ² flexible
Cross-sectional area (L1', L2', L3', N', ⚡) [max.]	35 mm ² stranded/25 mm ² flexible
For mounting on	35 mm DIN rail acc. to EN 60715
Enclosure material	thermoplastic, red, UL 94 V-0

Location category	indoor
Degree of protection	IP 20
Capacity	8 mods., DIN 4
Approvals, Certifications	KEMA, VDE, UL, VdS
Ordering information	
Type	DV M TNS 255
Part No.	951 400
Packing unit	1 pc

We reserve the right to modify design, technology, dimensions, weights and materials according to technical progress. Illustrations are non-binding. Pictures may differ from the modules described.