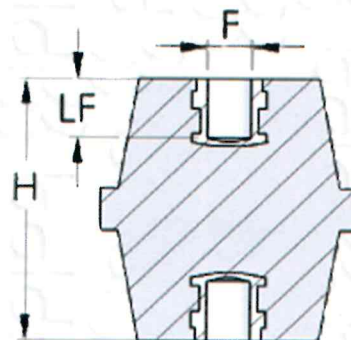


UL94-V0  
**HALOGENFREE**  
 RoHS Compliant



LF = Thread (mm)

Code	E (mm)	H (mm)	F	LF (mm)	D (mm)	Pack (Pc)
BK1209	10 x 12		M3		10	100
BK1506	15 x 16		M4	4	12	100
BK1563	15 x 16		M5	4	12	100
BK2009	19 x 20		M4	6	15	100
BK2017	19 x 20		M5	6	15	100
BK2033	19 x 20		M6	6	15	100
BK2801	22 x 25		M4	6	18	100
BK2819	22 x 25		M5	6	18	100
BK2827	22 x 25		M6	6	18	100
BK3049	30 x 30		M6	9	26	100
BK3056	30 x 30		M8	9	26	100
BK0318	30 x 31		M8	9	26	100
BK3544	32 x 35		M6	10	29	120
BK3551	32 x 35		M8	10	29	120
BK3569	32 x 35		M10	10	29	120
BK4047	41 x 40		M6	10	34	60
BK4054	41 x 40		M8	10	34	60
BK4062	41 x 40		M10	10	34	60
BK4070	41 x 40		M12	10	34	60
[ Height 45 mm: see "Reinforced series" ]						
BK5044	36 x 50		M6	13	30	75
BK5051	36 x 50		M8	13	30	75
BK5069	36 x 50		M10	15	30	75
[ Height 60 mm: see "Reinforced series" ]						
BK6554	41 x 65		M8	15	32	36
BK6562	41 x 65		M10	18	32	36
BK6570	41 x 65		M12	18	32	36
[ Height 70 mm: see "Reinforced series" ]						
BK7552	50 x 75		M8	18	38	24
BK7560	50 x 75		M10	18	38	24
BK7578	50 x 75		M12	18	38	24
[ Height 80 mm: see "Reinforced series" ]						
BK9962	65 x 100		M10	18	52	9
BK9970	65 x 100		M12	18	52	9
BK9988	65 x 100		M16	24	52	9

ISOESA  
 ISOLATORI INSULATORS ISOLATOREH ISOLATEURS

SPACING INSULATORS

ISOESA insulators are made of polyester resin with glass fibres (18-20%).

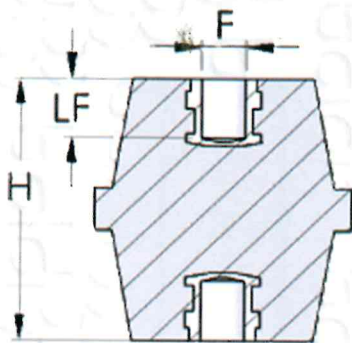
The standard colour is red RAL3002.

ISOESA insulators can be produced in different colours and in antiacid execution (minimum orders to define).

Female metallic inserts (RoHS compliant) in the extremities.

# SPACING INSULATORS

## "Reinforced series"



LF = Thread (mm)



04

ISOESA  
ISOLATORI INSULATORS ISOLATOREN ISOLATEURS

SPACING INSULATORS  
"Reinforced series"

Code	E (mm)	H (mm)	F	LF (mm)	D (mm)	Pack (Pc)
BK3890	41 x 35		M6	10	35	80
BK3916	41 x 35		M8	10	35	80
BK3924	41 x 35		M10	10	35	80
BK4112	46 x 40		M8	10	40	48
BK4120	46 x 40		M10	10	40	48
BK4160	46 x 40		M12	10	40	48
BK4617	46 x 45		M8	13	38	48
BK4625	46 x 45		M10	13	38	48
BK4633	46 x 45		M12	13	38	48
BK5531	50 x 50		M8	13	40	36
BK5549	50 x 50		M10	13	40	36
BK5556	50 x 50		M12	13	40	36
BK6059	55 x 60		M8	15	43	24
BK6067	55 x 60		M10	18	43	24
BK6075	55 x 60		M12	18	43	24
BK7057	60 x 70		M8	18	48	15
BK7065	60 x 70		M10	18	48	15
BK7073	60 x 70		M12	18	48	15
BK7099	60 x 70		M16	24	48	15
BK8063	65 x 80		M10	18	52	12
BK8071	65 x 80		M12	18	52	12
BK8089	65 x 80		M16	24	52	12

ISOESA insulators are made of polyester resin with glass fibres (18-20%).

The standard colour is red RAL3002.

ISOESA insulators can be produced in different colours and in antiacid execution (minimum orders to define).

Female metallic inserts (Rohs compliant) in the extremities.

By request, ISOESA insulators normal and reinforced can be produced with opposite different female-thread inserts in the extremities (for example M6 and M8)

05

## SPACING INSULATORS

"Column Type"



Code	Dr.	D x H x M (mm)	C (mm)	Pack (pc)
BK1522	A	12 x 16 x 3	10	100
BK1548	A	12 x 16 x 4	10	100
BK2041	A	12 x 20 x 4	10	100
BK2058	A	12 x 20 x 5	10	100
BK2504	A	12 x 25 x 4	10	100
BK2579	A	12 x 25 x 5	10	100
BK2587	A	12 x 30 x 4	10	100
BK3528	A	12 x 35 x 5	10	100
BK2256	C	20 x 25 x 6	18	100
BK2258	C	20 x 25 x 8	18	100
BK2307	C	20 x 30 x 6	18	100
BK2308	C	20 x 30 x 8	18	100
BK2356	C	20 x 35 x 6	18	100
BK2358	C	20 x 35 x 8	18	100
BK2406	C	20 x 40 x 6	18	100
BK2408	C	20 x 40 x 8	18	100
BK2456	C	20 x 45 x 6	18	100
BK2458	C	20 x 45 x 8	18	100
BK2506	C	20 x 50 x 6	18	100
BK2508	C	20 x 50 x 8	18	100
BK2606	C	20 x 60 x 6	18	80
BK2608	C	20 x 60 x 8	18	80
BK3306	C	30 x 30 x 6	27	100
BK3308	C	30 x 30 x 8	27	100
BK3356	C	30 x 35 x 6	27	140
BK3358	C	30 x 35 x 8	27	140
BK3406	C	30 x 40 x 6	27	140
BK3408	C	30 x 40 x 8	27	140
BK3456	C	30 x 45 x 6	27	120
BK3458	C	30 x 45 x 8	27	120
BK3506	C	30 x 50 x 6	27	100
BK3508	C	30 x 50 x 8	27	100
BK3606	C	30 x 60 x 6	27	80
BK3608	C	30 x 60 x 8	27	80
BK4408	C	40 x 40 x 8	36	80
BK4400	C	40 x 40 x 10	36	80
BK4458	C	40 x 45 x 8	36	60
BK4650	C	40 x 45 x 10	36	60
BK4508	C	40 x 50 x 8	36	60
BK4500	C	40 x 50 x 10	36	60
BK4608	C	40 x 60 x 8	36	50
BK4600	C	40 x 60 x 10	36	50
Code	Dr.	C x H x M (mm)	S (mm)	Pack (pc)
BK3361	B	17 x 30 x 6	18,5	100

ISOESA  
ISOLATORI  
INSULATORS  
ISOLATOREN  
ISOLATEURS

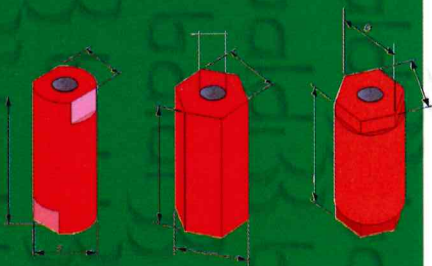
SPACING INSULATORS  
"Column Type"

ISOESA insulators are made of polyester resin with glass fibres (18-20%).

The standard colour is red RAL3002.

ISOESA insulators can be produced in different colours and in antiacid execution (minimum orders to define).

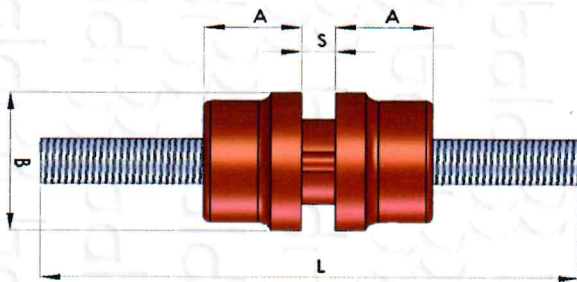
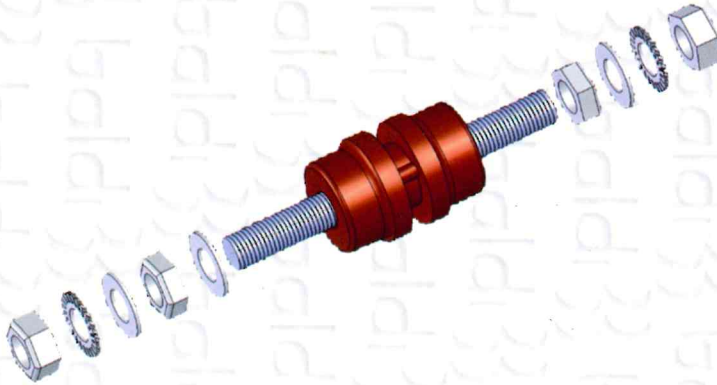
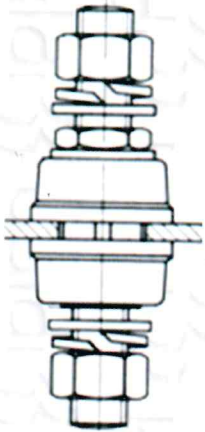
Female metallic inserts (Rohs compliant) in the extremities.



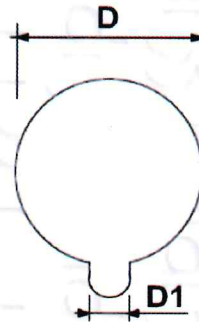
**B baldi**

# PASSING INSULATORS "Normal Type For Internal Use"

*Rohs  
Compliant*



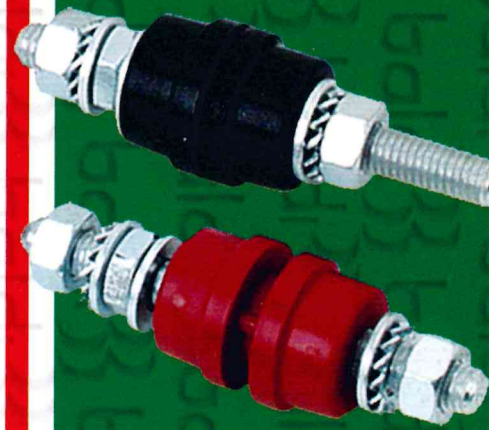
Hole template



- Tie rod, nuts, washers: in steel white galvanized (Rohs compliant)
- Insulating plastic parts in polyamide PA6 with glass fibres (UL94V0)
- Maximum working temperature: 110°C
- Maximum voltage: 1000 V

Code	Tie Rod MA	Colour	Cur. Load (A)	L (mm)	A (mm)	B (mm)	S (mm)	D (mm)	D1 (mm)
PAS8 R	8	Red	80	80	13,5	25	5	15,5	3,5
PAS8 N	8	Black	80	80	13,5	25	5	15,5	3,5
PAS10 R	10	Red	120	95	15	30	5	17,5	4,5
PAS10 N	10	Black	120	95	15	30	5	17,5	4,5
PAS12 R	12	Red	200	105	17	35	5	20,5	5

06



PASSING INSULATORS  
"Normal Type For Internal Use"

# ISO-PASS

Utilized for electrical connection between internal and external parts of electrical boards. They are composed of tie rod, nuts, washers and two plastic pieces purposely produced in order to fit one into the other.

Packings (alternatives):

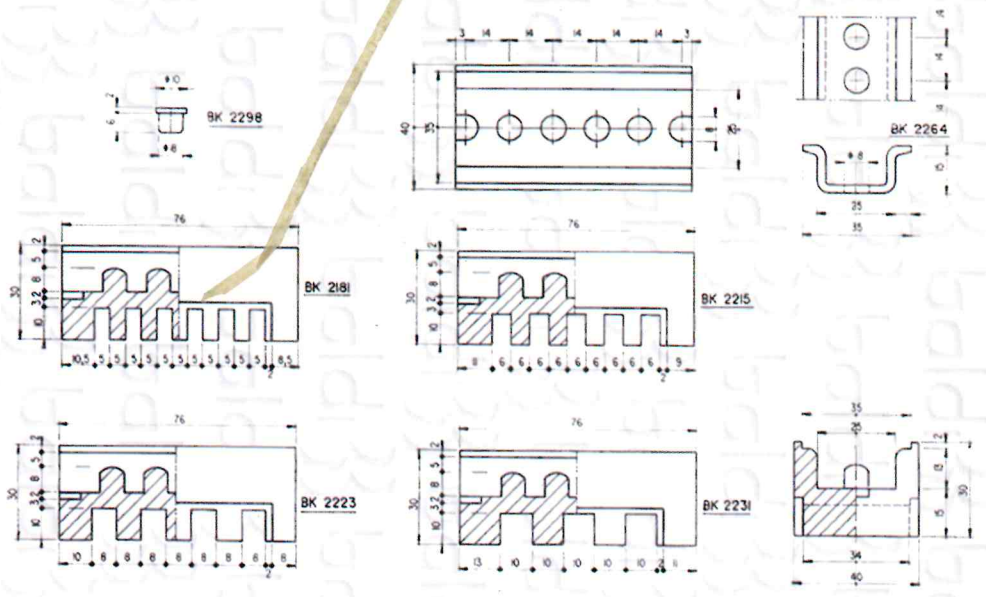
- 1) Loose pieces 500 Pc
- 2) Loose pieces 100 Pc
- 3) Single piece

SECTIONAL BUS-BAR  
HOLDERS

MULTIBAR  
SECTIONAL BUS-BAR  
HOLDERS

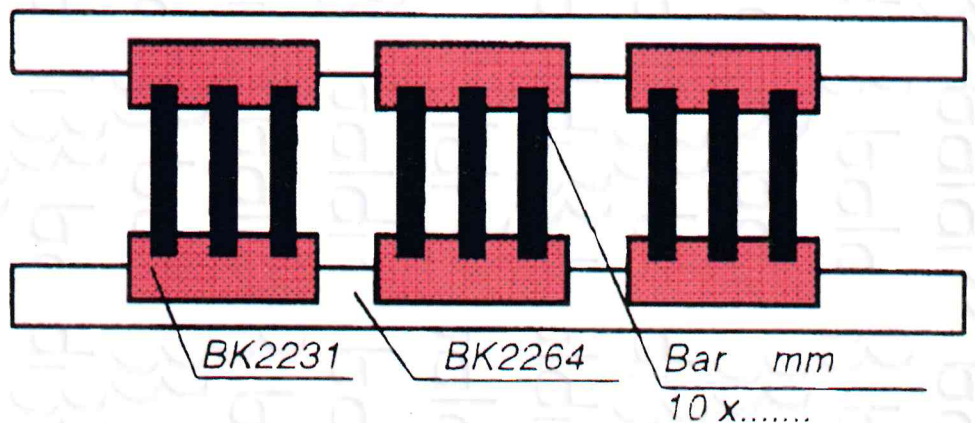
In polycarbonate reinforced with glass fibres for high temperature (120°C), colour red RAL3002, FREE OF HALOGENS AND SELF-EXTINGUISHING, the "MULTIBAR" blocks have to be fixed to rugged supporting raceways (BK2264). Available in 4 different versions, represent the solution to the various problems of bars support. By changing the distance between the small blocks on the supporting raceway it's possible to adjust for example the phase-phase distance between centers or to position one, two or more bars each phase, as well as by changing the distance between the "MULTIBAR" couples (over and under), it's possible to adjust the height of the bars to be supported. It's recommended to use reinforcing pawls (BK2298).

HALOGENFREE



C= number of hollows per phase  
 B= support for bars in the hollows (mm)  
 H= bars minimum height (mm)  
 kN= attraction/repulsion instantaneous elektrodynamic effort strength between couples of bars of different phases in Kilonewton (1 kg=9,8 N)

(\*) with reinforcing pawls

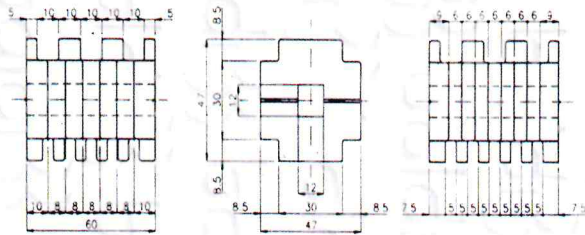
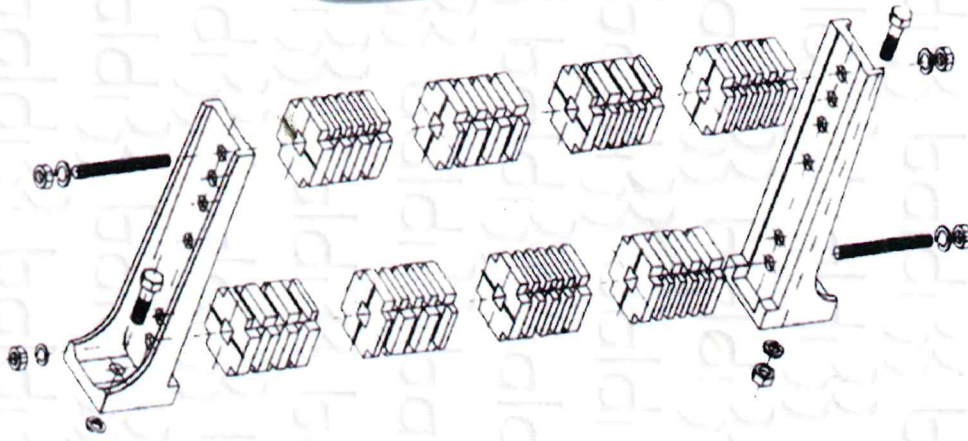


Code	C	B (mm)	H (mm)	kN (±10%)	Pack (pc)
BK2181	6	5	25	10 (*)	50
BK2215	5	6	25	10 (*)	50
BK2223	4	8	25	10 (*)	50
BK2231	3	10	25	10 (*)	50
BK2298	reinforcing pawls				100
BK2264	support raceway				mt. 20

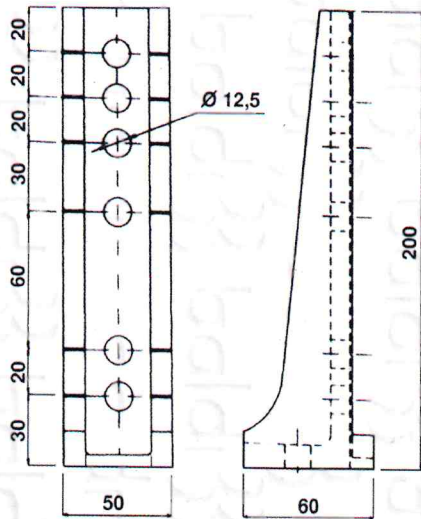
# UNIVERSAL SECTIONAL BUS-BAR HOLDERS

08

HALOGENFREE



universal sectional "ISOCROSS" block BK9145



Fixing support BK9178

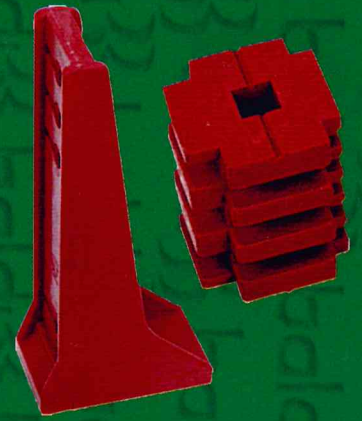
C= number of hollows per phase

B= support for bars in the hollows (mm)

H= bars minimum height (mm)

kN= attraction/repulsion instantaneous electrodynamic effort strength between couples of bars of different phases in Kilonewton (1 kg=9,8 N)

Code	C	B (mm)	H (mm)	kN (±10%)	Pack (pc.)
BK9145	5	5	20	8	30
	4	6	20	10	
	3	8	25	12	
	3	10	25	14	
BK9178	Fixing support "ISOCROSS"				12



UNIVERSAL SECTIONAL BUS-BAR HOLDERS

— ISOCROSS —

In polycarbonate reinforced with glass fibres for high temperature (120°C), colour red RAL3002, FREE OF HALOGENS AND SELF-EXTINGUISHING. The universal sectional "ISOCROSS" block (BK9145) allows to support bars with thickness 5mm, 6mm, 8mm and 10mm, by rotating it opportunely and using the desired face. The fixing support (BK9178) is in polyester reinforced with fiber glass (130°C) and allows to support bars with height 30 mm, 50 mm, 60 mm, 80 mm, 100 mm and 120 mm.

