

ARCA 304021



Sample image

Order symbol : ARCA 304021

Product nr : 8120023

UL Code : UL508A

Description : Cabinet, PC

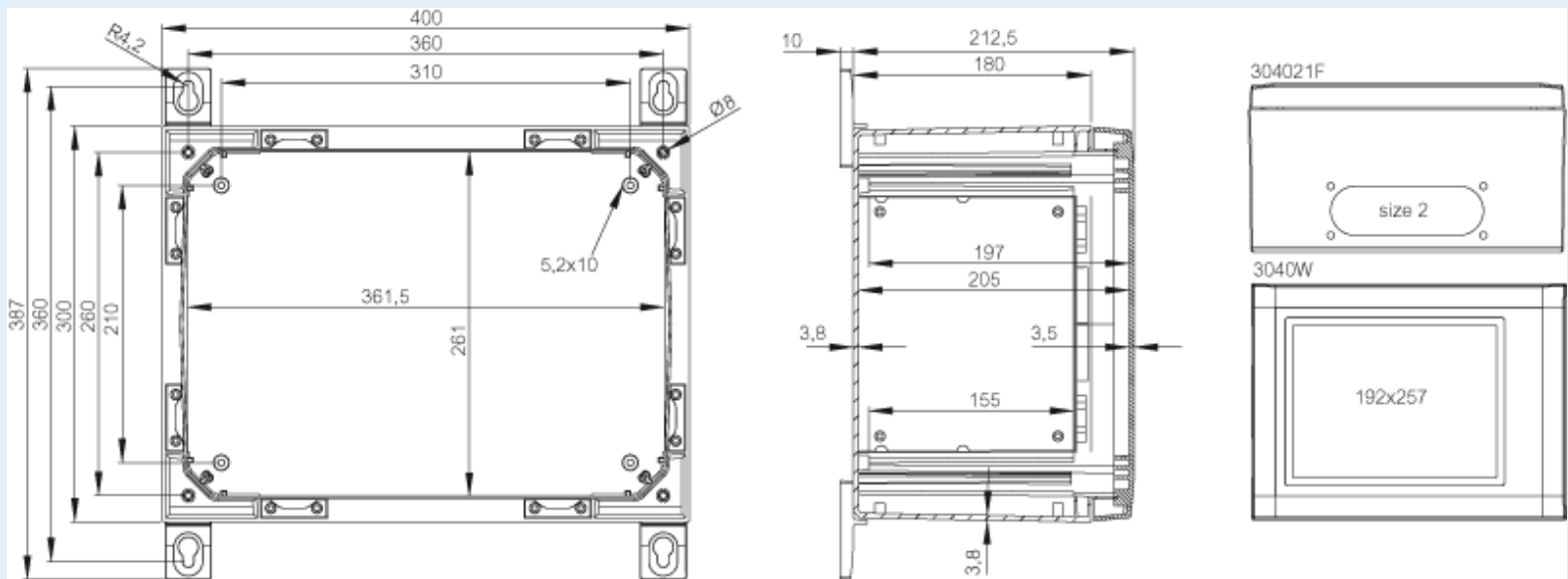
Remarks : Grey cover, 2-point locking, hinges on the short side

EAN : 6418074079343

El. number :

- Finland : 3423120
- Denmark : 8212091210
- Sweden : 2500113

Including : Cabinet base. door with PUR gasket. mounting plate. screws for mounting plate. 3mm double bit lock(s) with key. S versions with swinghandle 2-point locking system. Door guide included.



Dimensions :	Height	Width	Depth
mm :	300	400	210
inch :	15.75	11.81	8.27

Materials :

Material :	Polycarbonate
Base colour :	RAL_7035

Accessories :

DRS ARCA 304021	DIN rail frame set (385 x 285 x 35)
SBK ARCA 30	Support bar kit (235 x 40 x 30)
DSP ARCA HRS	Door stopper ARCA, horizontal, right, small
DSP ARCA HLS	Door stopper ARCA, horizontal, left, small
SBK ARCA 40	Support bar kit

Cover colour : RAL 7035 -light grey

Gasket material : Polyurethane

Temperatures :

Temperature °C (short term) : -40 ... 120

Temperature °C (continuous) : -40 ... 80

Temperature °F (short term) : -40 ... 250

Temperature °F (continuous) : -40 ... 175

(340 x 40 x 30)

IDS ARCA 3040 Inner door set

RCS ARCA 3040 Rain canopy set for size 3040

PMK ARCA 40 PoleMounting kit, for pole ø100-300mm (385 x 285 x 35)

MPP ARCA 3040 Mounting plate perforated (350x250x2 mm - 26x11 mm)

MPMP ARCA 4030 Mounting plate multiperforated (350x250x2 mm - ø3.6 mm)

MPS ARCA 4030 Mounting plate (350x250x2 mm) (350 x 250 x 2)

MPX ARCA 4030 Mounting plate (350x250 mm) (350 x 250 x 15)

Ratings :

Ingress protection (EN 60529): IP66;

Impact Resistance (EN 62262): IK10;

electrical_insulation : Totally insulated

Halogen free (DIN/VDE 0472, Part 815) : Yes

UV resistance : UL 508

Flammability Rating : UL 94 5VA

Glow Wire Test (IEC 695-2-1) °C : 960C

NEMA Class NEMA__1_4_4X_12_13

Certificates :

Certificate FI 40467