

## ASCO 272 SERIES DIRECT OPERATED

2/2

SCE272A022S3  
Solenoid valve 2/2 NO 1/4" 24VDC

- Normally closed/open
- Large flow
- Working pressure 0 bar to 40 bar
- Housing in brass or stainless



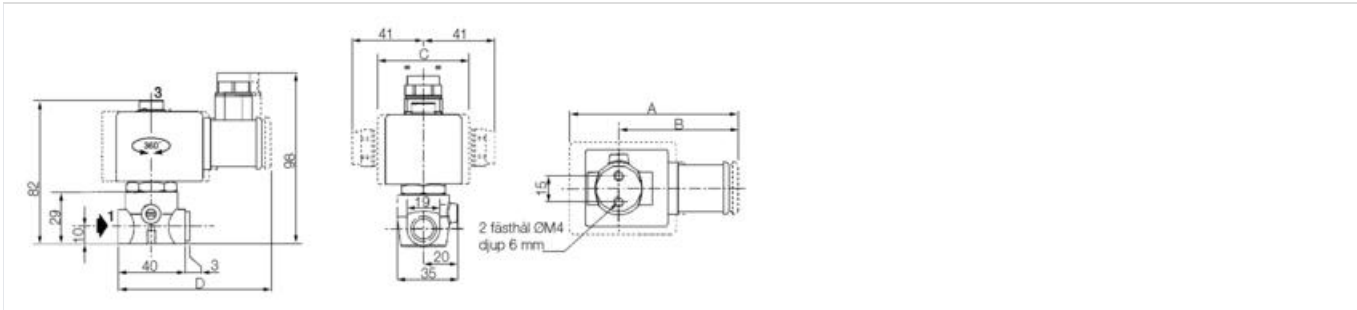
### PRODUCT DESCRIPTION

<b>Differential pressure</b>	0-20 bar
<b>Max. permitted pressure</b>	20 bar
<b>Max. viscosity</b>	40 cSt (mm <sup>2</sup> /s)
<b>Response time</b>	8-20 ms (air P=6 bar)
<b>Media</b>	Air, gas, water and oil
<b>Media temperature</b>	-25 °C to +80 °C NBR (nitrile)
<b>IP-class</b>	IP65
<b>Standard voltages</b>	DC (=) 24 V AC (~) 24 V-115 V-230 V/50 Hz
<b>Connection</b>	DIN 43650/A
<b>Design</b>	
<b>Valve body</b>	Brass and stainless 316L
<b>Core</b>	Stainless
<b>Spring</b>	Stainless
<b>Seat</b>	Brass and stainless
<b>Seals</b>	NBR (standard)
<b>Shading ring</b>	Copper
<b>Coil</b>	Epoxy

Special seals	FPM, EPDM
---------------	-----------

NO	
----	---

## DIMENSIONS



Coil	A	B	C	D	Weight (kg)
JMX	70	55	30	75	0.37
CMXX-FT	85	64	45	84	0.54

Coil	Power consumption				Ambient temperature	Item number spare coil			
	switching on	operation		warm/cold		24 V DC	24 V AC	115 V AC	230 V AC
	~	~		=					
	VA	VA	W	W					
JMX	23.0	14.0	8.0	8/9.7	-25 °C to +60 °C	43005099	43005090	43005093	43005096
CMXX-FT	55.0	23.0	10.5	9/11.2	-20 °C to +75 °C	400425142	400425101	400425118	400425117

## ORDER NUMBER

Order no.		Connection	Orifice	Flow factor		Differential pressure bar					Coil
				Kv		air/gas			water/oil		
~	=	G	mm	m³/h	l/min.	min.	~	=	~	=	~/=
<b>Brass housing, NBR seals</b>											
SCE272A007	-	1/4	2.5	0.2	3.3	0	20	-	10	-	JMX
SCE272A022	SCE272A022S3	1/4	2.5	0.2	3.3	0	20	20	10	10	CMXX-FT
<b>Stainless housing, NBR seals</b>											
SCE272A037	-	1/4	2.5	0.2	3.3	0	20	-	10	-	JMX
SCE272A052	SCE272A052S3	1/4	2.5	0.2	3.3	0	20	10	10	10	CMXX-FT

## SPECIAL VERSIONS

- Other voltages
- Explosion-proof version
- Hand control

## ACCESSORIES

- Cable connector - C18209N21