

**ASCO - 3/2 SEAT VALVE AIR CONTROLLED 1/2"-2"**

E398A001

Angle seat valve 1/2" 3/2 Universal

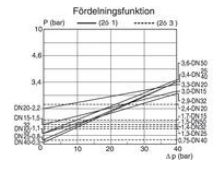
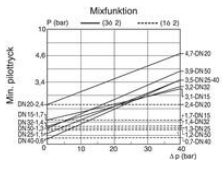
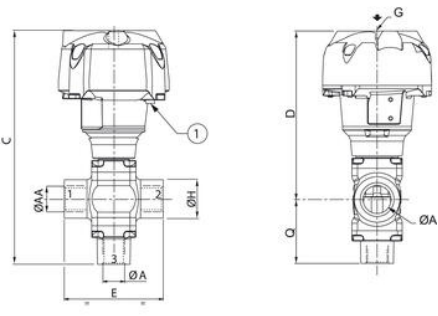
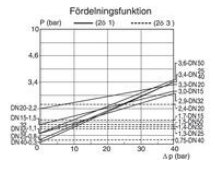
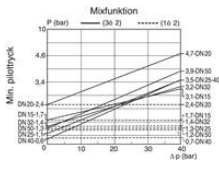
- Universal
- Working pressure 0 to 40 bar
- For temperatures up to +250 °C
- For viscosity up to 5,000 cSt



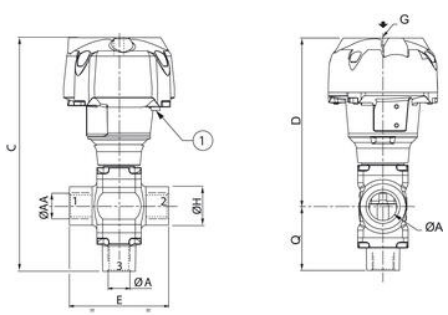
PRODUCT DESCRIPTION

SPECIFICATIONS

Approvals	SIL2
Differential Pressure Air Max	40
Differential Pressure Max	40
Differential Pressure Min	0
Differential Pressure Oil Max	40
Differential Pressure Water Max	40
Differential steam pressure max	40
Max. pressure	40
Pilot Pressure Max	10
Temperature range from	-25
Temperature range of media from	-10
Temperature range of media to	250
Temperature range to	180
Throughput	15
Weight	1.88
Viscosity Max	5000



Ventil (ØAA)	ØA	ØB	C	D	E	G	ØH	ØP	Q
1/2"	15	110	203,1	151,6	85	1/8	33	95	51,5
3/4"	20	132,5	229,2	170,9	110	1/8	40	117	58,3
1"	25	132,5	244,9	180,9	120	1/8	46	117	64
1 1/4"	32	191	318,2	237,2	145	1/4	57	172,5	81
1 1/2"	40	191	361,7	259,2	150	1/4	65	172,5	102,5
2"	50	247	436	328,5	190	1/4	75	230	107,5



Ventil (ØAA)	ØA	ØB	C	D	E	G	ØH	ØP	Q
1/2"	15	110	203,1	151,6	85	1/8	33	95	51,5
3/4"	20	132,5	229,2	170,9	110	1/8	40	117	58,3
1"	25	132,5	244,9	180,9	120	1/8	46	117	64
1 1/4"	32	191	318,2	237,2	145	1/4	57	172,5	81
1 1/2"	40	191	361,7	259,2	150	1/4	65	172,5	102,5
2"	50	247	436	328,5	190	1/4	75	230	107,5