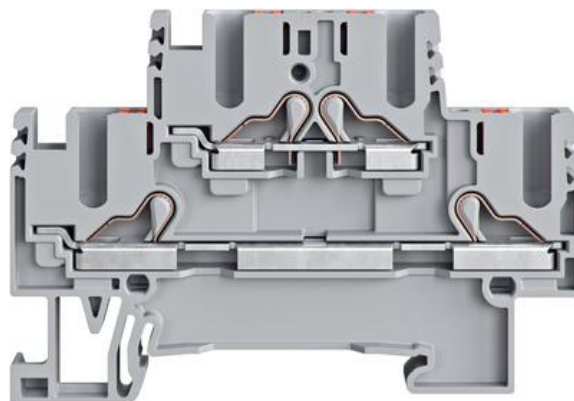


## DOUBLE DECK TERMINALS - PRKD/PSLD 2.5 - 4MM<sup>2</sup>

PRKD, PSLD

27036.6

Terminal Block PRKD2.5 2.5sq Double Deck Grey, Push In



- Push In technology
- Linked options
- Colour marked versions
- 1 in 2 out 4mm<sup>2</sup> version
- Earth variants

### PRODUCT DESCRIPTION

The compact and innovative connectors ensure high current carrying capacity, a pull-resistant connection and a very stable fixing to the DIN rail. PRKD and PSLD connectors are 2-layer connectors for a nominal wire size of 2.5mm<sup>2</sup>. The PRKD connectors are either at different potentials or at one potential, the black colour at the top of the connector visually distinguishes the connector at one potential. Visual attention is also available for N and PE terminals, where the area surrounding the terminal is coloured blue or yellow-green respectively. PSLD connectors are always at the same potential and coloured yellow-green, these can be grounded to the DIN rail. Also the PRKD connector, where the lower level is a protective earth, is grounded to the rail according to the standards.

### SPECIFICATIONS

Color	Grey
Connections	2 x 2
Contamination degree	3
Country of origin	CZ
Cross connect channels	2
Cross section single wire from	0.14
Cross section single wire to	4
Cross section stranded wire from	0.14
Cross section stranded wire to	2.5
Cross section stranded with ferrule from	0.14
Cross section stranded with ferrule to	2.5
Cross-Section	2.5
Flamklass	UL94-V0
Height	45.7
Height TS 35/7.5	47.2
Length	68.7

Number of levels	2
Number of terminals per level	2
Operating temperature from	-40
Operating temperature to	120
Overvoltage category	III
Pack Size	50
Plug gauge acc. EN 60 947-1	A3
Rated Current IEC	22
Rated impulse voltage	6
Rated wire cross section from	26
Rated wire cross section to	12
Rated Voltage IEC	500
Stripping Length	10
Tariff code	85369010
Weight	10.31
Width	5.1

