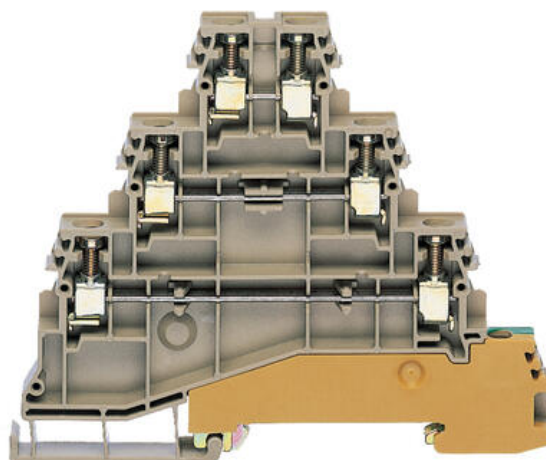


TRIPLE DECK TERMINALS - IKD 2.5MM²/VMAK

IKD, VMAK

1260.2
IK 2,5 BG

- For connecting encoders or motor outputs
- Material polyamide 6.6
- Colour marked versions available
- Temperature resistance -40 °C...+150 °C
- Flammability class V2



PRODUCT DESCRIPTION

SPECIFICATIONS

Approvals	UL, cUL, KEMA KUR
Color	Beige
Connections	4
Contamination degree	3
Country of origin	CZ
Cross connect channels	3
Cross section single wire from	0.2
Cross section single wire to	4
Cross section stranded wire from	0.2
Cross section stranded wire to	4
Cross section stranded with ferrule from	0.2
Cross section stranded with ferrule to	2.5
Cross-Section	2.5
cUL test standard	C22.2 No 158
Flamklass	UL94-V2
Height TS 32	62.8
Height TS 35/7.5	58.3
KEMA KEUR test standard	EN 60947-7-1:2009

Length	62.8
Number of levels	3
Operating temperature from	-40
Operating temperature to	105
Overvoltage category	III
Pack Size	100
Plug gauge acc. EN 60 947-1	A3
Rated current cUL	20
Rated Current IEC	24
Rated Current To UL	20
Rated impulse voltage	4
Rated voltage cUL	300
Rated Voltage IEC	250
Rated Voltage To UL	300
Rated wire cross section from (AWG)	22
Rated wire cross section to (AWG)	14
Screw size	M 2,4
Stripping Length	7
Tariff code	85369010
Torque max	0.8
Torque Min	0.4
UL test standard	UL 1059
Weight	10.81
Width	5