

## DEFINOX - SAMPLING VALVE - 16/18 PEX - PEAX

Manual and pneumatic

DE-PD015H11100  
Sampling Valve PEX, Tank, Manual plastic handle,  
16/18, VMQ

- SIP or CIP
- Simple and safe solution for sampling
- Compact pneumatic actuator
- Fast and easy membrane replacement
- 3.1 EN10204 - EHEDG



### PRODUCT DESCRIPTION

#### PEX Test outlet valve

Specifications:

- DN 16/18

Materials:

- Body: stainless steel 1.4404 / 316L machined from solid item
- Handle: white plastic or stainless steel 1.4301 / 304
- Membrane: FKM (black / green with spot) - WMQ (white) - EPDM (black) - PFA / EPDM (white - hard)

Connections:

- Welding on tank
- Clamp
- Welding on pipes
- Exterior thread

Controls:

- Manual - PEX - Ergonomic handle
- Pneumatic

Surface:

- RA exterior = 0.8 µm
- RA inside = 0.8 µm standard (0.4 µm on request)

Operating conditions:

- Max. temperature: + 120 ° C
- Min. temperature: 0 ° C
- Max. working pressure: 10 bar

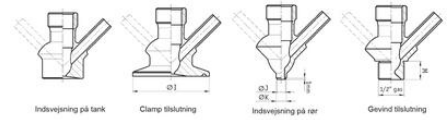
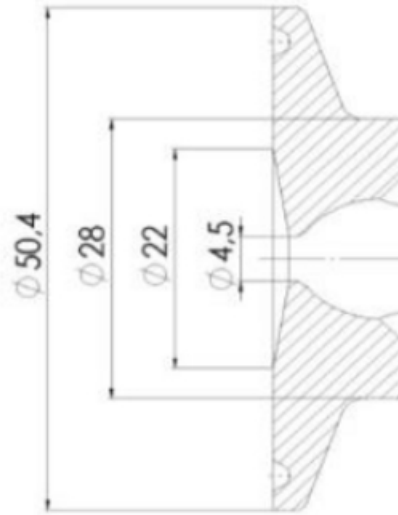
#### ACS Control Top

Definox LED Controllers allow you to monitor and control your valves from a central monitoring system and provide real-time warnings for any malfunctioning conditions so that immediate action can be taken and production stops can be minimized. The Definox LED Controller is configurable bar and user-friendly and offers a host of features.

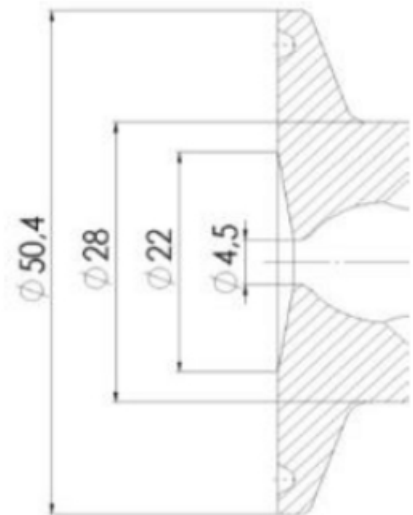
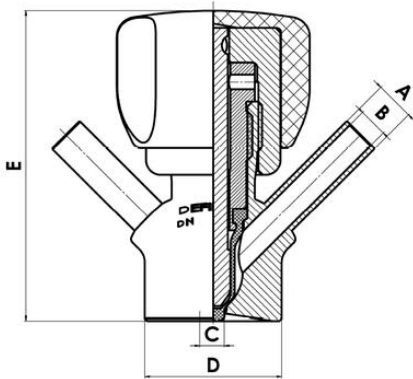
### SPECIFICATIONS

Certificate	3.1 EN10204
Connection	Vessel
Description	Manual plastic handle

House	Aisi 316L / 1.4404
Housing	VMQ
Internal Diameter	4.5
Outer Diameter	28
Process Connection	1 x 16/18 pipe
Surface Finish	RA<0,8/1,2µm



### Clamp Ø 50,4



### Clamp Ø 50,4

