

DEFINOX - SAMPLING VALVE - 6/8 - PEX - PEAX

Manual and pneumatic

DE-PD006J34100
Sampling Valve PEX, Tube, Manual SS Handle, 6/8,
PFA/EPDM

- Simple and safe solution for sampling
- 3.1 EN10204 - EHEDG
- SIP or CIP
- Compact pneumatic actuator
- Fast and easy membrane replacement



Product description

PEX Test outlet valve

Specifications:

- DN 6/8

Materials:

- Body: stainless steel 1.4404 / 316L machined from solid item
- Handle: white plastic or stainless steel 1.4301 / 304
- Membrane: FKM (black / green with spot) - WMQ (white) - EPDM (black) - PFA / EPDM (white - hard)

Connections:

- Welding on tank
- Clamp
- Welding on pipes
- Exterior thread

Controls:

- Manual - PEX - Ergonomic handle
- Pneumatic

Surface:

- RA exterior = 0.8 μm
- RA inside = 0.8 μm standard (0.4 μm on request)

Operating conditions:

- Max. temperature: + 120 ° C
- Min. temperature: 0 ° C
- Max. working pressure: 10 bar

ACS Control Top

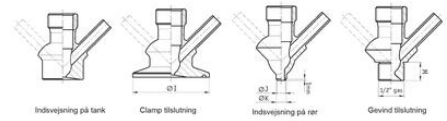
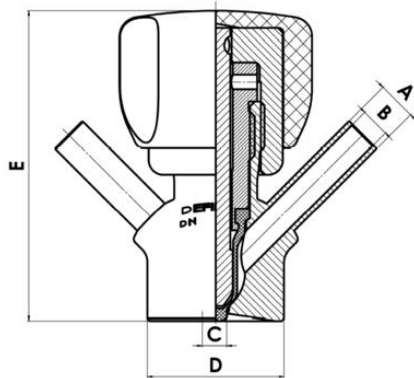
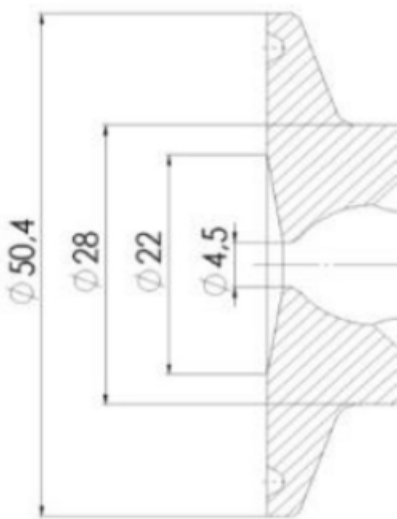
Definox LED Controllers allow you to monitor and control your valves from a central monitoring system and provide real-time warnings for any malfunctioning conditions so that immediate action can be taken and production stops can be minimized. The Definox LED Controller is configurable bar and user-friendly and offers a host of features.

Specifications

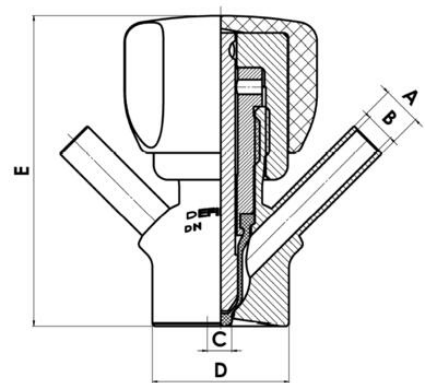
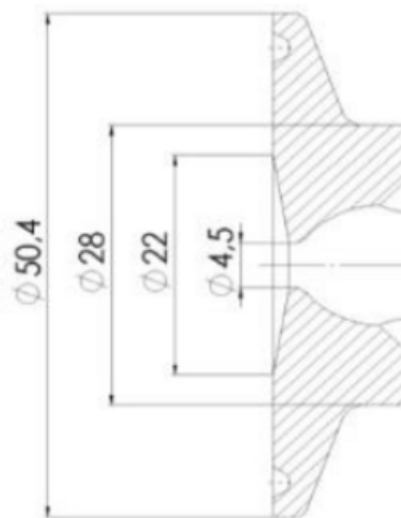
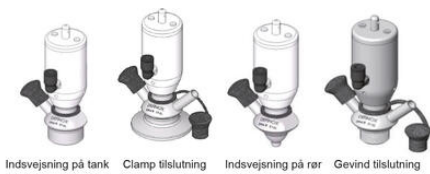
Certificate

3.1 EN10204

Connection	Tube
Description	Manual stainless steel handle
House	Aisi 316L / 1.4404
Housing	PFA/EPDM
Internal Diameter	5.9
Outer Diameter	7
Process Connection	1 x 6/8 pipe
Surface Finish	RA<0,8/1,2µm



Clamp $\phi 50,4$



Clamp $\phi 50,4$

