



## DEFINOX - SAMPLING VALVE - 6/8 - PEX - PEAX

Manual and pneumatic

DE-PD006B84100  
Sampling Valve PEAX, 1/2" BSP Pneumatic, 6/8,  
PFA/EPDM

- Simple and safe solution for sampling
- 3.1 EN10204 - EHEDG
- SIP or CIP
- Compact pneumatic actuator
- Fast and easy membrane replacement



### Product description

PEX Test outlet valve

#### Specifications:

- DN 6/8

#### Materials:

- Body: stainless steel 1.4404 / 316L machined from solid item
- Handle: white plastic or stainless steel 1.4301 / 304
- Membrane: FKM (black / green with spot) - WMQ (white) - EPDM (black) - PFA / EPDM (white - hard)

#### Connections:

- Welding on tank
- Clamp
- Welding on pipes
- Exterior thread

#### Controls:

- Manual - PEX - Ergonomic handle
- Pneumatic

#### Surface:

- RA exterior = 0.8 µm
- RA inside = 0.8 µm standard (0.4 µm on request)

#### Operating conditions:

- Max. temperature: + 120 ° C
- Min. temperature: 0 ° C
- Max. working pressure: 10 bar

### ACS Control Top

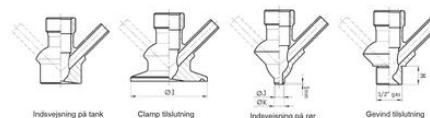
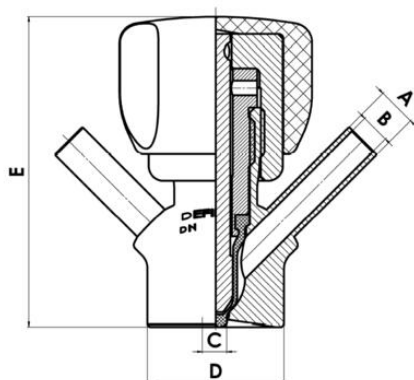
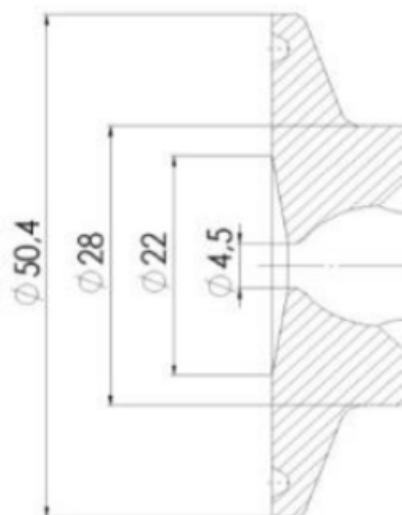
Definox LED Controllers allow you to monitor and control your valves from a central monitoring system and provide real-time warnings for any malfunctioning conditions so that immediate action can be taken and production stops can be minimized. The Definox LED Controller is configurable bar and user-friendly and offers a host of features.

### Specifications

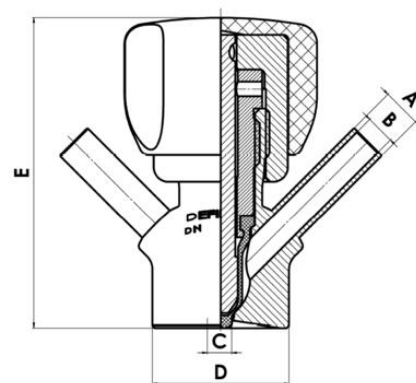
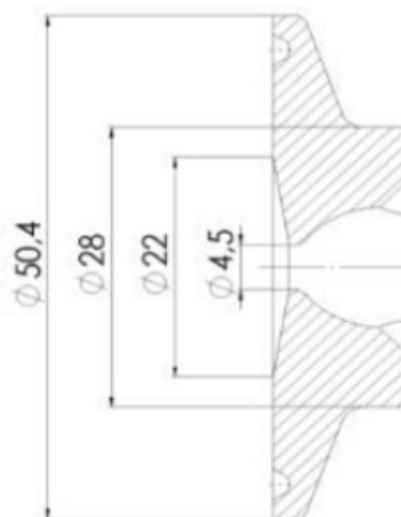
**Certificate**

3.1 EN10204

<b>Connection</b>	1/2" BSP
<b>Description</b>	Pneumatic
<b>House</b>	Aisi 316L / 1.4404
<b>Housing</b>	PFA/EPDM
<b>Internal Diameter</b>	4.5
<b>Process Connection</b>	2 x 6/8 pipes
<b>Surface Finish</b>	RA<0,8/1,2µm



### Clamp Ø 50,4



### Clamp Ø 50,4

