

IDEM - STAINLESS STEEL TAPE CONVERGENCE SENSORS

501001

Belt Switch SS 35mm Roller Short M20 2NC 2NO

- Two-step operation
- 3 types of lever rollers
- Adjustable angle of operation
- 2 independent contact blocks 1NO + 1NC

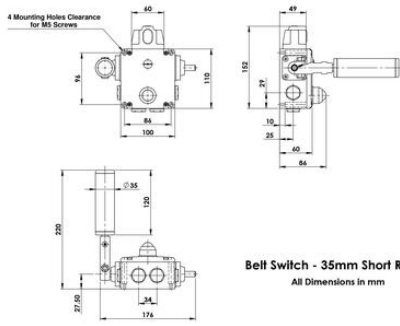


PRODUCT DESCRIPTION

The IDEM sensor range complements a wide range of cable switches used for emergency stop along conveyors. They are mounted along the conveyor belt and indicate the crookedness of the conveyor belt. We offer standard models (aluminum alloy) and made of stainless steel. Sensors are available with different roll diameters, thus ensuring a long service life even under severe operating conditions.

SPECIFICATIONS

Approvals	IEC 60947-5-1
Atex approved	No
Conduit entry	4 x M20
Contacts	2NC 2NO
Integrated LED indication	No
IP Class	IP67
Mounting	4 x M5
Operating temperature	-25°C...+80°C
Operational rating	AC15 A300 240V. 3A. / 120V. 6A. ac, 24V. 2,5A dc
Rated insulation voltage	500V
Thermal current (Ith)	10
Utilisation category	AC15
Withstand voltage	2500V



Bell Switch - 35mm Short Roller
All Dimensions in mm