

KUEBLER - WIRE ENCODER D125

SERIE D8.D125

- Measuring range 6 10m
- Integrated inclinometer
- Can be ordered with redundancy
- IP67
- -40 to +85°C



PRODUCT DESCRIPTION

Please refer to the images below for ordering information.

Order code with analog sensor

D8 . D125 . XXXX . XXX 1 . X 000

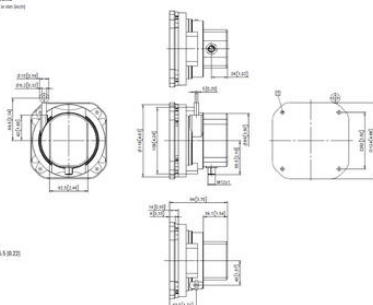
- | | | |
|---------------------------|---|-------------------------------|
| a Measuring length | b Sensor type | c Type of connection |
| 0600 = 6 m | A22 = 0 ... 10 V ¹⁾ | 1 = M12 male connector, 5-pin |
| 0700 = 7 m | A44 = 0,5 ... 4,5 V | |
| 0800 = 8 m | R22 = 0 ... 10 V, redundant ¹⁾ | d Power supply |
| 0900 = 9 m | R44 = 0,5 ... 4,5 V, redundant | 1 = 9 ... 30 V DC |
| 1000 = 10 m | | 2 = 5 V DC ²⁾ |

Order code with CANopen and inclinometer

D8 . D125 . XXXX . RC1 1 . 1 X 00

- | | | | |
|---------------------------|-------------------------|-------------------------------|------------------------|
| a Measuring length | b Sensor type | c Type of connection | e Inclinometers |
| 0600 = 6 m | RC1 = CANopen redundant | 1 = M12 male connector, 5-pin | 0 = none |
| 0700 = 7 m | | | 1 = 1 inclinometer |
| 0800 = 8 m | | d Power supply | 2 = 2 inclinometers |
| 0900 = 9 m | | 1 = 9 ... 30 V DC | |
| 1000 = 10 m | | | |

Dimensions



Dimensions

