

CROUZET SWITCHES - V3

83161102
831611 C/O W2

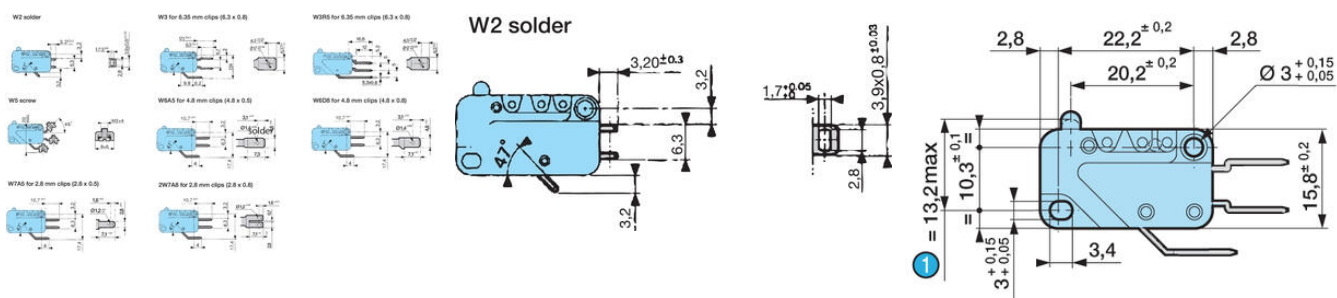
- Rated data 0.1 A to 20 A/250 V ac
- Operating temperature up to +125 °C
- Compliant with standards EN 61058 and UL 1054
- Four different control arm installation options

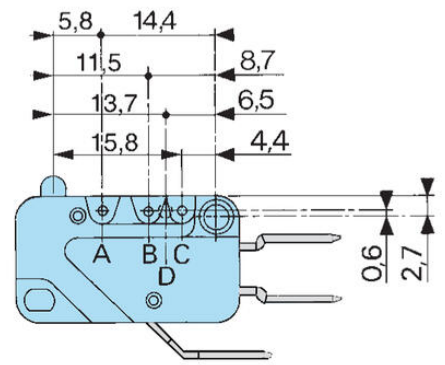
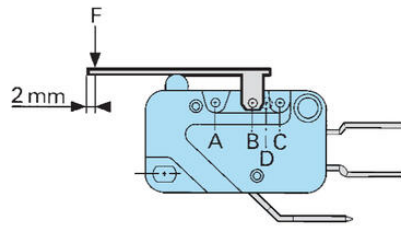
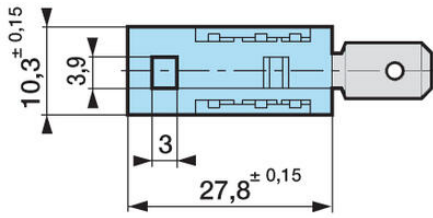


PRODUCT DESCRIPTION

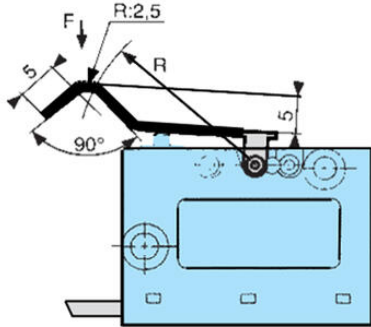
SPECIFICATIONS

Allowable Operating Force Max	20
Contact Gap	0.4
Hysteresis Max	0.35
IP Class	IP40
Operating Force Max	3
Operating Power Total Max	4.5
Over Movement My	1.1
Rated current at 250 V AC	16
Return Movement Force Min	1
Sleep Max	16.1
Switching Point	14,7±0,4 mm
Temperature range from	-60
Temperature range to	125
Thermal current at 250 V AC	20

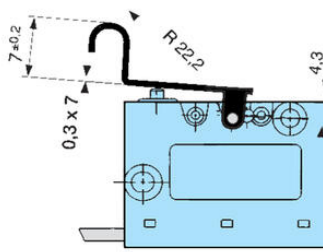




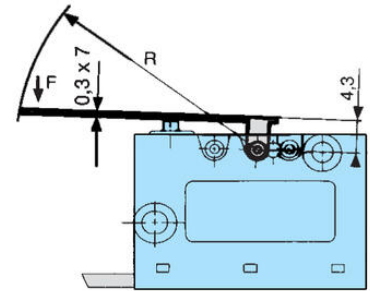
161 F



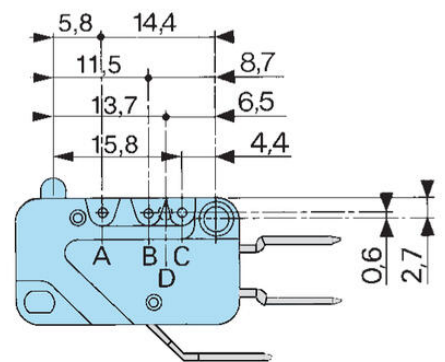
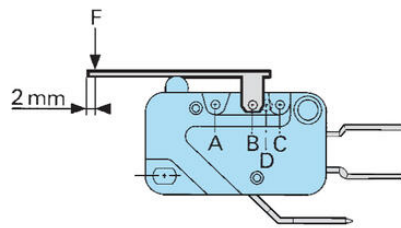
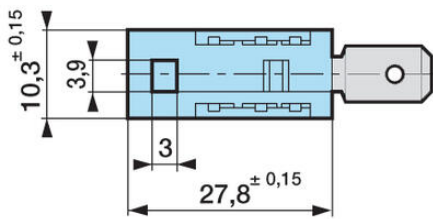
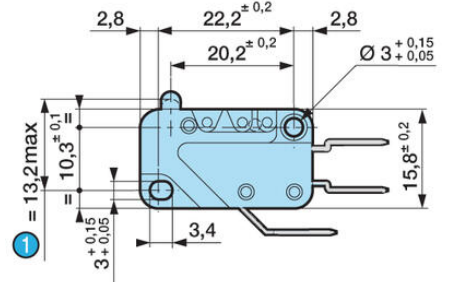
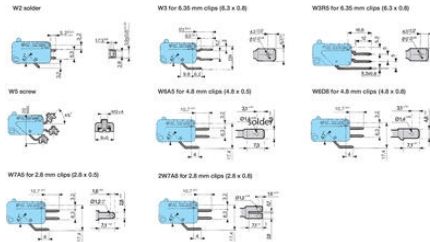
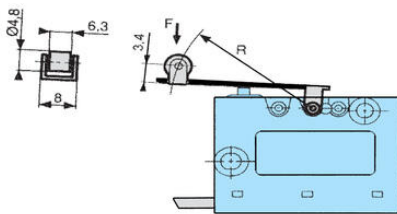
161 G



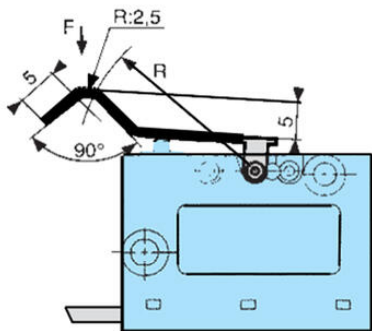
161 A



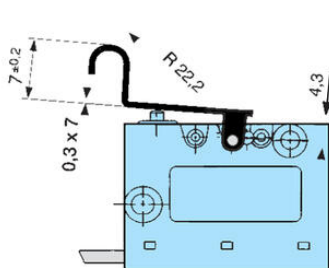
161 E



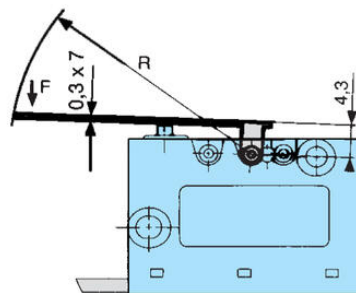
161 F



161 G



161 A



161 E

