

ASCO - 3/2 ANGLE-SEAT VALVE 1/2"-2"

E390B002

Angle seat valve 1/2" NC 3/2

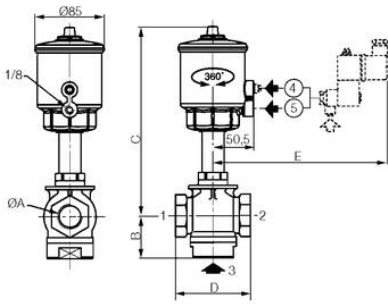
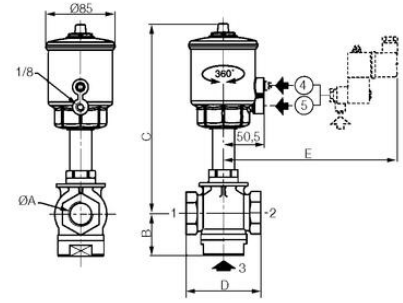
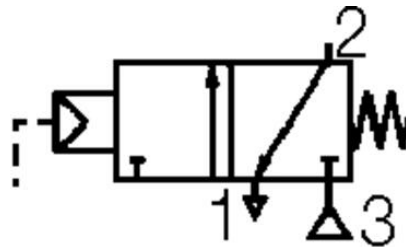
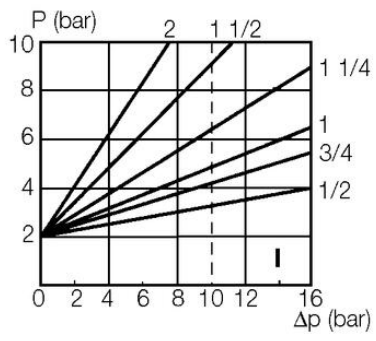
- Normally closed/open
- Working pressure 0 to 16 bar
- Housing in bronze
- Non-sensitive to dirt



PRODUCT DESCRIPTION

SPECIFICATIONS

Approvals	SIL2
Differential Pressure Air Max	16
Differential Pressure Min	0
Differential Pressure Oil Max	16
Differential Pressure Water Max	16
Differential steam pressure max	10
Pilot Pressure Max	10
Pilot Pressure Min	3
Temperature range from	-10
Temperature range of media from	-10
Temperature range of media to	184
Temperature range to	60
Throughput	15
Viscosity Max	600
Weight	1.6



$\text{Ø}A$	B	C	D	E
1/2	39	198	68	153
3/4	44	203	84	153
1	52	212	92	153
1 1/4	57	237	110	153
1 1/2	61	244	125	153
2	69	253	145	153