

ASCO 272 SERIES DIRECT OPERATED

2/2

SCE272A022S3
Solenoid valve 2/2 NO 1/4" 24VDC

- Normally closed/open
- Large flow
- Working pressure 0 bar to 40 bar
- Housing in brass or stainless



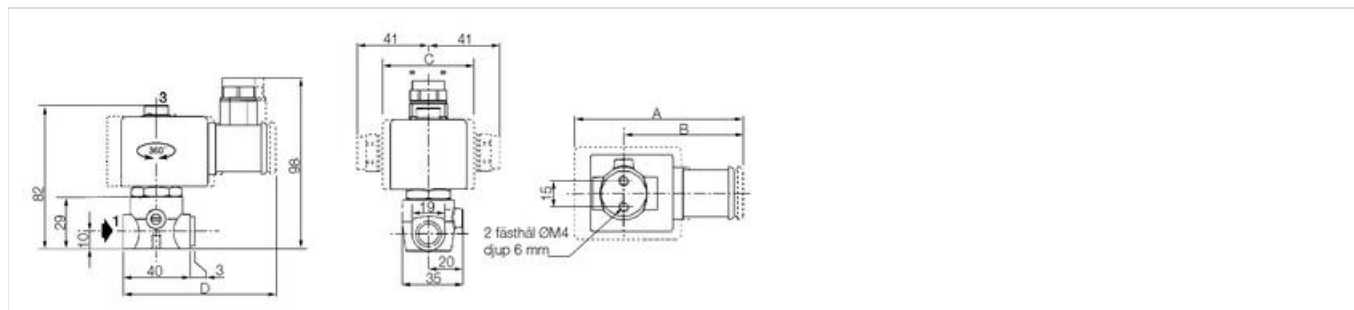
PRODUCT DESCRIPTION

Differential pressure	0-20 bar
Max. permitted pressure	20 bar
Max. viscosity	40 cSt (mm ² /s)
Response time	8-20 ms (air P=6 bar)
Media	Air, gas, water and oil
Media temperature	-25 °C to +80 °C NBR (nitrile)
IP-class	IP65
Standard voltages	DC (=) 24 V AC (~) 24 V-115 V-230 V/50 Hz
Connection	DIN 43650/A
Design	
Valve body	Brass and stainless 316L
Core	Stainless
Spring	Stainless
Seat	Brass and stainless
Seals	NBR (standard)
Shading ring	Copper
Coil	Epoxy

Special seals	FPM, EPDM
---------------	-----------

NO	
----	---

DIMENSIONS



Coil	A	B	C	D	Weight (kg)
JMX	70	55	30	75	0.37
CMXX-FT	85	64	45	84	0.54

Coil	Power consumption				Ambient temperature	Item number spare coil			
	switching on	operation		warm/cold		24 V DC	24 V AC	115 V AC	230 V AC
	~	~		=					
	VA	VA	W	W					
JMX	23.0	14.0	8.0	8/9.7	-25 °C to +60 °C	43005099	43005090	43005093	43005096
CMXX-FT	55.0	23.0	10.5	9/11.2	-20 °C to +75 °C	400425142	400425101	400425118	400425117

ORDER NUMBER

Order no.		Connection	Orifice	Flow factor		Differential pressure bar					Coil
				mm		Kv		air/gas			
~	=			m³/h	l/min.	min.	~	=	~	=	~/=
Brass housing, NBR seals											
SCE272A007	-	1/4	2.5	0.2	3.3	0	20	-	10	-	JMX
SCE272A022	SCE272A022S3	1/4	2.5	0.2	3.3	0	20	20	10	10	CMXX-FT
Stainless housing, NBR seals											
SCE272A037	-	1/4	2.5	0.2	3.3	0	20	-	10	-	JMX
SCE272A052	SCE272A052S3	1/4	2.5	0.2	3.3	0	20	10	10	10	CMXX-FT

SPECIAL VERSIONS

- Other voltages
- Explosion-proof version
- Hand control

ACCESSORIES

- Cable connector - C18209N21