

KUBLER SLIP RING SR120

SR120-020106L44002

- Modular system
- Ethernet compatible
- Transfer speed up to 100 Mbps
- Shielded metal casing



PRODUCT DESCRIPTION

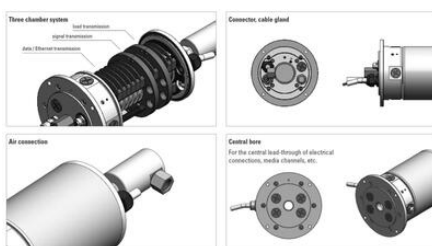
The SR120 slip ring is specially designed for applications in industrial automation and Ethernet transmission.

Thanks to its modular system, it can combine Ethernet data, power, signals, air and hydraulic transmission with up to 20 channels. With its well-developed 3-chamber system, the slip ring becomes shielded and insensitive to interference.

The housing is as standard in aluminum but can also be ordered in stainless steel.

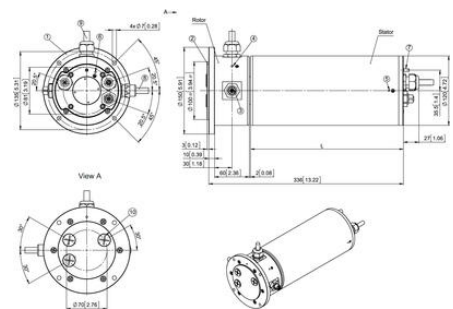
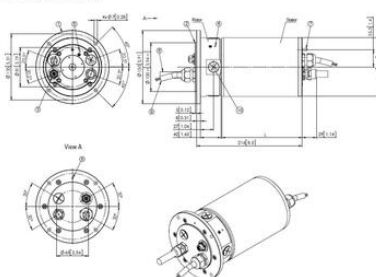
SPECIFICATIONS

IP Class	IP64
Life span	500000000
Temperature range from	-35
Temperature range to	85



Dimensions
(Dimensions in mm unless stated)

Standard version
Example: Type SR120-02-01-01-03-030-V130



- | | | |
|--|--|--|
| 1 - Mounting flange | 4 - Grounding PE (optional connectivity) | 8 - 2 m (3.5M) connecting cable for load transmission |
| 2 - Centering diameter | 5 - Grounding PE (optional connectivity) | 9 - 2 m (3.5M) connecting cable for signal transmission |
| 3 - M12 female connector (4-pin)
(Ethernet data transmission @ 100Mbps) | 6 - Grounding PE (optional connectivity) | 10 - Blind plug - depending on order cable meter
connections and safety |
| | 7 - Anti-rotating pin | |

