



SUCO - 0132/0133 PRESSURE SWITCH

IP67

0133460032003

50..200 bar, G1/4, CO, EPDM, TE AMP Superseal®

- Up to 48 V
- TE AMP Superseal 1.5® integrated connector
- Five adjustment ranges from 0,3..1,5 bar to 50..200 bar
- Changeover (SPDT)
- Over pressure safety from 100 bar up to 600 bar



PRODUCT DESCRIPTION

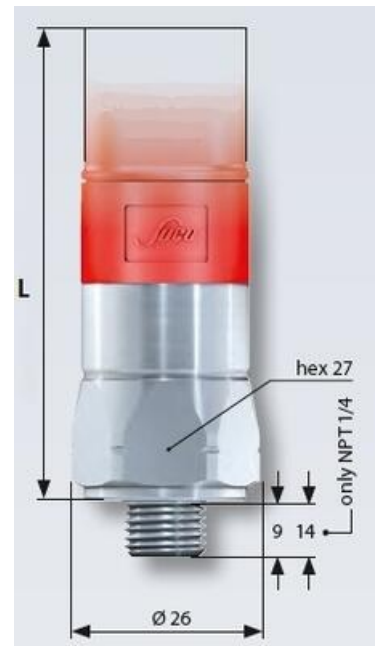
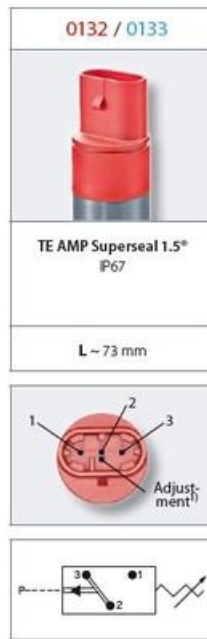
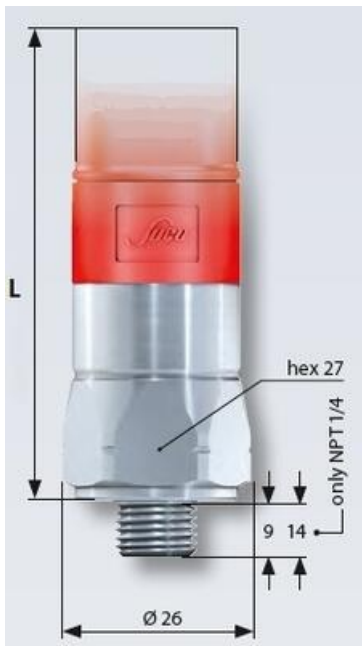
The 0132/0133 series pressure switch is part of the integrated connector range from SUCO offering high IP rating. Integrated TE AMP Superseal 1.5® connector and a maximum voltage of 48 V with a normally open and normally closed contact housed in a hex 27 zinc plated body offering a high pressure resistance. The switch point is very stable even after a long period of time and high load and is also adjustable on site and can come pre-set.

Common applications include automotive, mobile hydraulics, water applications and braking systems.

SPECIFICATIONS

Adjustment range max	200
Adjustment range min	50
Approvals	CSA US, RoHS II

Contact Rating Max	4
Deviation max	±5,0
Hysteresis	10-30% depending on set value
IP Class	IP67
Lifespan Mechanical	1 million exchanges
Max switching frequency/min	200
Max. pressure	600
Temperature ambient from	-20
Temperature ambient to	80
Temperature range of media from	-30
Temperature range of media to	120
Weight	100
Voltage AC / DC Max	48



0132 / 0133



TE AMP Superseal 1.5°
IP67

L ~ 73 mm

