



SUCO - 0134/0135 PRESSURE SWITCH

IP67

0134457031003

0,3..1,5 bar, G1/4, CO, NBR, M12x1

- Up to 48 V
- M12x1 integrated connector
- Five adjustment ranges from 0,3..1,5 bar to 50..200 bar
- Changeover (SPDT)
- Over pressure safety from 100 bar up to 600 bar



PRODUCT DESCRIPTION

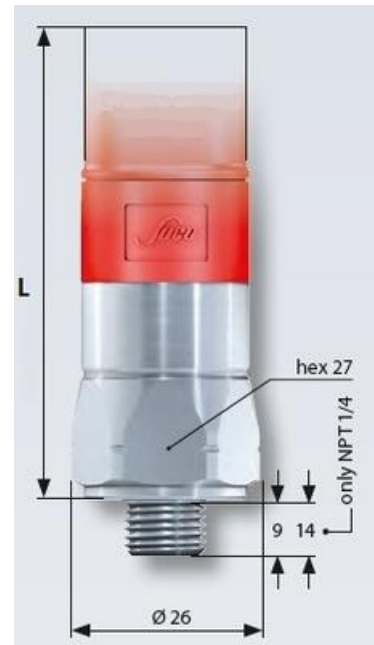
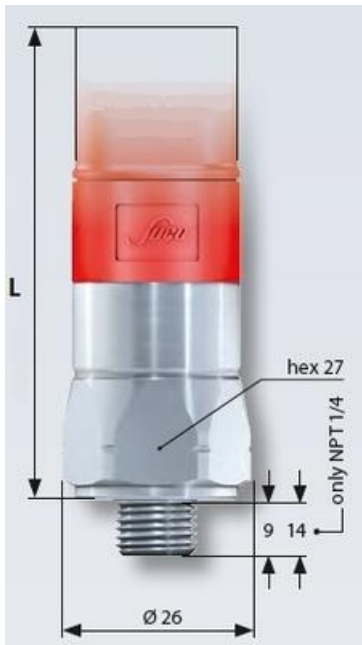
The 0134/0135 series pressure switch is part of the integrated connector range from SUCO offering high IP rating. Integrated M12x1 connector and a maximum voltage of 48 V with a normally open and normally closed contact housed in a hex 27 zinc plated body offering a high pressure resistance. The switch point is very stable even after a long period of time and high load and is also adjustable on site and can come pre-set.

Common applications include automotive, mobile hydraulics, water applications and braking systems.

SPECIFICATIONS

Adjustment range max	1.5
Adjustment range min	0.3
Approvals	CSA US, RoHS II
Contact Rating Max	4

Deviation max	±0,2
Hysteresis	10-30% depending on set value
IP Class	IP67
Lifespan Mechanical	1 million exchanges
Max switching frequency/min	200
Max. pressure	100
Temperature ambient from	-20
Temperature ambient to	80
Temperature range of media from	-30
Temperature range of media to	100
Weight	100
Voltage AC / DC Max	48



004 / 0135



M12x1 DIN EN 61076-2-101A
Contact assignment
DIN 60947-5-2
IP67

L ~ 65 mm

