

MOLEX - M12 OVERMOULDED CONNECTOR CABLES FEMALE

804000E03M020
MMC-4P-FE-ST-2M-PVC

- Screw connection
- Anti-vibration Nut
- PVC, PUR / PVC or TPU cable

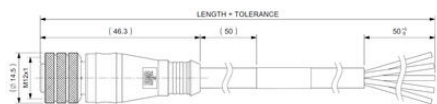


PRODUCT DESCRIPTION

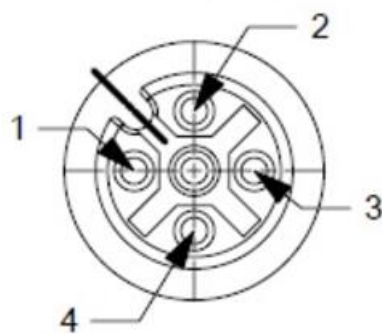
SPECIFICATIONS

Approvals	CSA 22.2, UL
Cable diameter	5,4 +0,30/-0,10 mm
Cable length	2 m
Coding	A
Color Cable	Black
Cross-Section	0.34
Current max	4
Drag Chain Tested	No
Halogen free	No
IP Class	IP67
LED indicator	No
Manufacturer Part No	1200060014
Number of poles	4
Shielded	No
Temperature Range Flexible Use Of	-10
Temperature Range For Flexible Use	80
Temperature Range The Use Of	-30

Voltage Max	250
Weight	119



4 POLE



Pin	Wire color
1	BN
2	WH
3	BU
4	BK