

IDEM LOCKING SWITCH KL1-P

221005

KL1-P ½NPT 110v LED only

- Electric release
- 4 key entry positions
- 1 or 2 x LED indicator
- Locking force up to 1400 N
- Compact dimensions 63 mm x 143 mm



PRODUCT DESCRIPTION

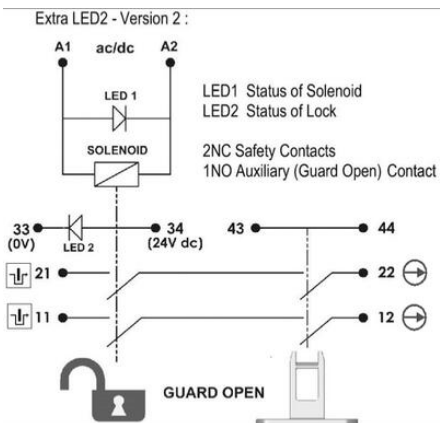
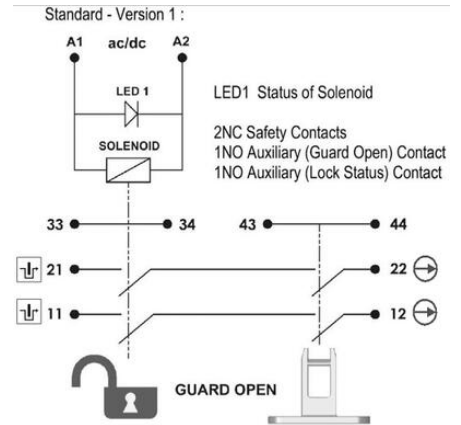
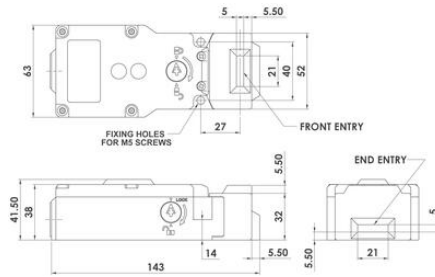
Locking switch with locking LEILOCK KL1-P, made of plastic (polyester), with locking force up to 1400N. The breaker head is made of stainless steel. The switch has 1 or 2 LEDs that show the status of the solenoid and the state of the blockage. It also has a rotatable head, which provides 4 key entry positions for easy and flexible mounting. The KL1-P switch has a standard spacing between the mounting holes - 40 mm.

In the event of a voltage drop, the switch can be opened in an emergency without any special keys. The switch is available in the version: voltage release.

SPECIFICATIONS

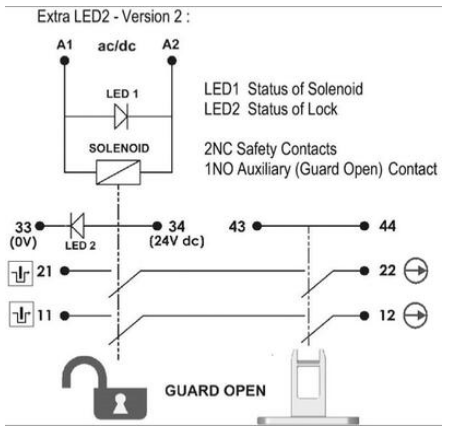
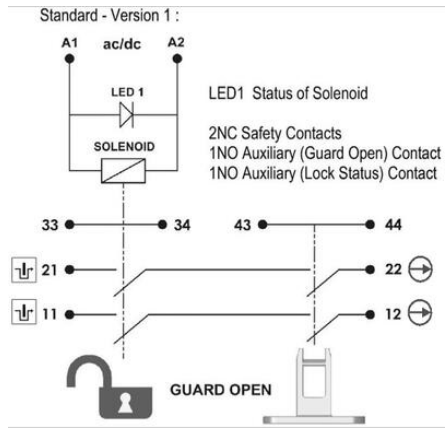
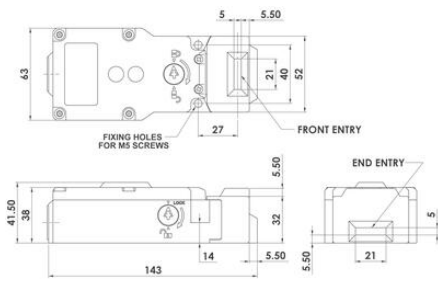
Actuator	Not included
Annual usage	8 cycles per hour/24 hours per day/365 days
Approvals	ISO 13849-1, ISO 14119, EN60204-1, EN62061, EN60947-5-1, UL 508
Conduit entry	1/2" NPT
Contact Type	2NC safety contacts, 1NO auxiliary contact (guard open), 1NO auxiliary contact (lock open)
Contacts	2NC 2NO
Holding force (F1Max)	1400
IP Class	IP67
LED Display	LED1 solenoid power
LED supply voltage	24Vdc
Manual Operation	Standard manual release lid and side
Maximum approach / withdrawal speed	600
Mechanical reliability B10d	2.5 x 10 ⁶ operations at 100mA load

Mounting	2 x M5
MTTFd	356 years
Operating temperature	-25..50°C
PFHd	3.44×10^{-8}
PL	e acc. ISO13849-1
Rated insulation voltage	600V ac
SIL	3 acc. EN62061
Solenoid Voltage	110V ac
Thermal current (Ith)	5
Travel for positive opening	10
Utilisation category	AC15, A300, 3 A
Withstand voltage	2500V ac



	6.0	5.0	0mm
11/12	Open		
21/22	Open		
33/34			Open
43/44			Open





6.0 5.0 0mm

11/12	Open	
21/22	Open	
33/34		Open
43/44		Open